



## **Cabin Air Filter**

### **Removal & Installation Instructions**

To maintain air conditioning efficiency, replace the air filter according to the manufacturer's maintenance schedule.

Always use an air filter. Removing the filter may decrease system performance by allowing dust to lower the efficiency of A/C and heating system components.

Prior to the installation of this DENSO First Time Fit® Cabin Air Filter, you must read these instructions completely.

---

#### **Definition of Terms**

- ⚠WARNING:** Describes precautions that should be observed in order to prevent injury or death to the user during installation.
- ⚠CAUTION:** Describes precautions that should be observed in order to prevent damage to the vehicle or its components, which may occur during installation if sufficient care is not taken.
- NOTE:** Provides additional information that facilitates installation work.

---

#### **General Service Information and Requirements**

**⚠WARNING:** To prevent the Supplemental Restraint System (SRS, Air Bag System) from operating, remove the ground (negative) cable from the battery, then wait at least 90 seconds before starting this procedure. This allows the backup power system to discharge.

**NOTE:** For more detailed instructions please refer to the vehicle manufacturer's service manual.

#### **REQUIRED TOOLS:**

- Safety Goggles
- Assorted Hand Tools

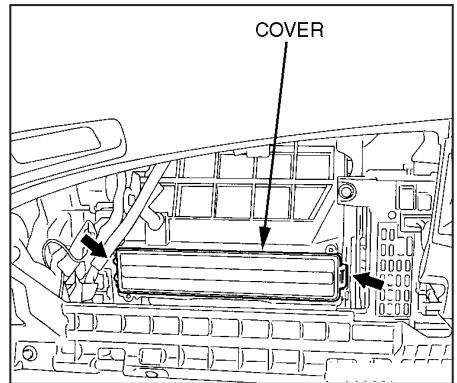
#### **SAFETY PRECAUTIONS:**

- Always wear safety goggles

## **Cabin Air Filter Removal**

The information below explains necessary procedures and tools to remove and install the Cabin Air Filter (CAF).

1. Open glove compartment.
2. Disengage glove compartment lid.
3. Disconnect glove compartment lamp and remove glove compartment.
4. Disengage two (2) clips securing cabin air filter cover and remove cover.
5. Remove cabin air filter.



**Fig. 1**

## **Cabin Air Filter Installation**

6. Install cabin air filter. If filter has an arrow marking, install filter with arrow marking facing downward.
7. Install cabin air filter cover. Ensure cover lugs are securely seated.
8. Reinstall previously removed parts.

## **Noise Test**

9. Reconnect the battery ground cable.
10. Engine ON, A/C ON, blower speed on high.
11. Listen for any abnormal air noises from the air filter area.