



Cabin Air Filter

Removal & Installation Instructions

To maintain air conditioning efficiency, replace the air filter according to the manufacturer's maintenance schedule.

Always use an air filter. Removing the filter may decrease system performance by allowing dust to lower the efficiency of A/C and heating system components.

Prior to the installation of this DENSO First Time Fit® Cabin Air Filter, you must read these instructions completely.

Definition of Terms

⚠WARNING: Describes precautions that should be observed in order to prevent injury or death to the user during installation.

⚠CAUTION: Describes precautions that should be observed in order to prevent damage to the vehicle or its components, which may occur during installation if sufficient care is not taken.

NOTE: Provides additional information that facilitates installation work.

General Service Information and Requirements

⚠WARNING: To prevent the Supplemental Restraint System (SRS, Air Bag System) from operating, remove the ground (negative) cable from the battery, then wait at least 90 seconds before starting this procedure. This allows the backup power system to discharge.

NOTE: For more detailed instructions please refer to the vehicle manufacturer's service manual.

REQUIRED TOOLS:

- Safety Goggles
- Assorted Hand Tools

SAFETY PRECAUTIONS:

- Always wear safety goggles

Cabin Air Filter Removal

The information below explains necessary procedures and tools to remove and install the Cabin Air Filter (CAF).

1. Remove glove box bin as follows:
 - a. Open glove box. Separate glove box damper from glove box by sliding clip toward rear of vehicle to release it from bin. (See Fig. 1)
 - b. Using fingers, carefully press in glove compartment stop tabs located at top of bin and allow glove compartment to rotate downward.
 - c. Rotate box down and release door hinges located at bottom. Remove glove box.

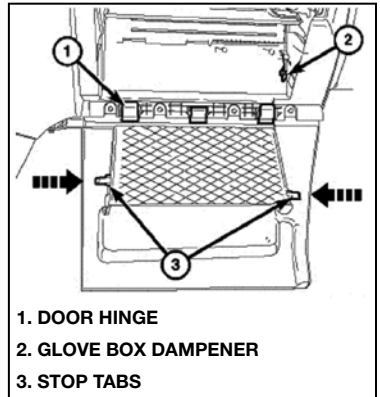


Fig. 1

2. Carefully pull glove box shelf rearward to disengage the retainers and remove shelf from instrument panel.
3. Disengage retaining tab that secures the filter cover to A/C heater housing. Open cover to disengage hinge clips and remove cover. (See Fig. 2)

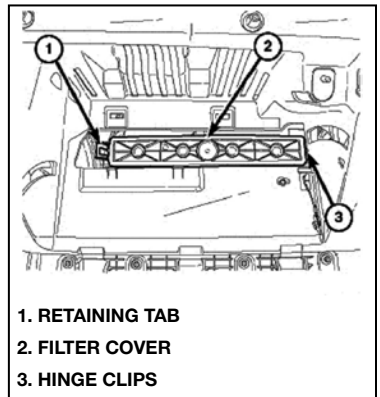


Fig. 2

4. Remove cabin air filter from A/C heater housing.
(See Fig. 3)

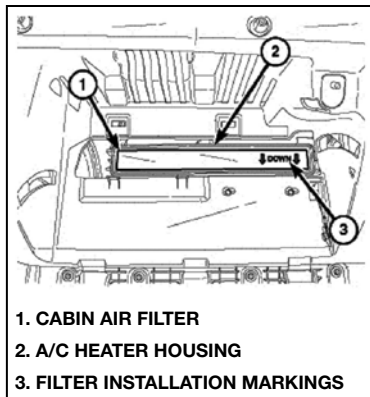


Fig. 3

Cabin Air Filter Installation

5. Install new cabin air filter into A/C heater housing. If filter is equipped with air flow direction markings, ensure arrow symbol on filter element is facing downward toward floor.
6. Reinstall cabin air filter cover to A/C heater housing. Ensure cover tabs are properly engaged.
7. Reinstall glove box shelf. Ensure the retainers are fully seated.
8. Slide glove compartment to left hand side to engage hinges.
9. Reinstall glove box bin.
10. Close glove compartment door.

Noise Test

11. Reconnect the battery ground cable.
12. Engine ON, A/C ON, blower speed on high.
13. Listen for any abnormal air noises from the air filter area.