



Cabin Air Filter

Removal & Installation Instructions

To maintain air conditioning efficiency, replace the air filter according to the manufacturer's maintenance schedule.

Always use an air filter. Removing the filter may decrease system performance by allowing dust to lower the efficiency of A/C and heating system components.

Prior to the installation of this DENSO First Time Fit® Cabin Air Filter, you must read these instructions completely.

Definition of Terms

- △WARNING:** Describes precautions that should be observed in order to prevent injury or death to the user during installation.
- △CAUTION:** Describes precautions that should be observed in order to prevent damage to the vehicle or its components, which may occur during installation if sufficient care is not taken.
- NOTE:** Provides additional information that facilitates installation work.

General Service Information and Requirements

△WARNING: To prevent the Supplemental Restraint System (SRS, Air Bag System) from operating, remove the ground (negative) cable from the battery, then wait at least 90 seconds before starting this procedure. This allows the backup power system to discharge.

NOTE: For more detailed instructions please refer to the vehicle manufacturer's service manual.

REQUIRED TOOLS:

- Safety Goggles
- Assorted Hand Tools

SAFETY PRECAUTIONS:

- Always wear safety goggles

Cabin Air Filter Removal

The information below explains necessary procedures and tools to remove and install the Cabin Air Filter (CAF).

NOTE: This CAF and corresponding installation instructions are designed for multiple vehicles and model years. Although every consideration and resource was used during its creation, the instructions may not match exactly to your vehicle; however it is DENSO's expectation that these instructions will be able to direct the installer through the CAF replacement.

1. Remove the hardware securing the glove compartment.

NOTE: After this step, certain models will allow the glove compartment to hang freely. If that situation occurs, disconnect the cord and remove the glove compartment.

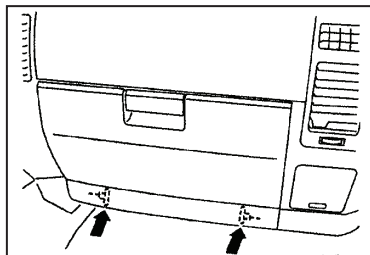


Fig. 1

NOTE: For certain models produced from 2004–2006, open the glove compartment and remove the mounting hardware securing the upper glove compartment. Remove the glove compartment.

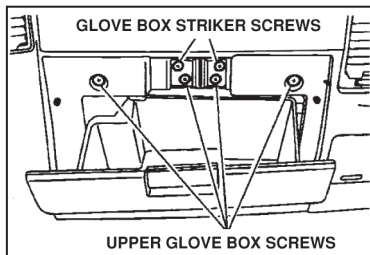
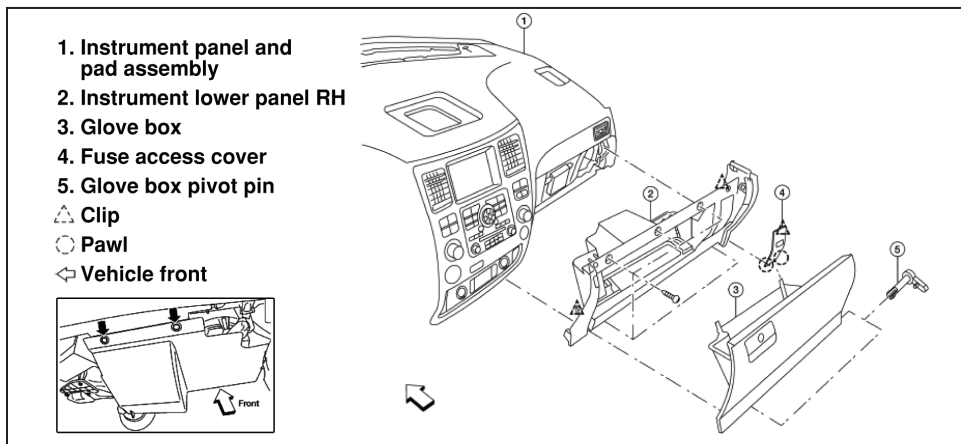


Fig. 2

NOTE: For Armadas produced from 2007–2010, remove the lower right hand instrument cover, the lower right hand instrument panel mounting hardware, and the lower right hand instrument panel.



2. Remove the CAF access cover mounting hardware and remove the cover.
3. Remove the first original CAF element. Slide the second CAF element towards the driver side and remove the second element. The original elements can be discarded.

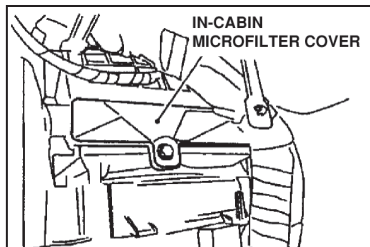


Fig. 4

Cabin Air Filter Installation

4. Install the first replacement CAF element and slide it toward the passenger side. Install the second element.
5. Reinstall the CAF access cover and secure it with the mounting hardware.
6. Reinstall the components previously removed to their factory positions.

Noise Test

7. Reconnect the battery ground cable.
8. Engine ON, A/C ON, blower speed on high.
9. Listen for any abnormal air noises from the air filter area.