



Cabin Air Filter

Removal & Installation Instructions

To maintain air conditioning efficiency, replace the air filter according to the manufacturer's maintenance schedule.

Always use an air filter. Removing the filter may decrease system performance by allowing dust to lower the efficiency of A/C and heating system components.

Prior to the installation of this DENSO First Time Fit® Cabin Air Filter, you must read these instructions completely.

Definition of Terms

- △WARNING:** Describes precautions that should be observed in order to prevent injury or death to the user during installation.
- △CAUTION:** Describes precautions that should be observed in order to prevent damage to the vehicle or its components, which may occur during installation if sufficient care is not taken.
- NOTE:** Provides additional information that facilitates installation work.

General Service Information and Requirements

△WARNING: To prevent the Supplemental Restraint System (SRS, Air Bag System) from operating, remove the ground (negative) cable from the battery, then wait at least 90 seconds before starting this procedure. This allows the backup power system to discharge.

NOTE: For more detailed instructions please refer to the vehicle manufacturer's service manual.

REQUIRED TOOLS:

- Safety Goggles
- Assorted Hand Tools

SAFETY PRECAUTIONS:

- Always wear safety goggles

Cabin Air Filter Removal

The information below explains necessary procedures and tools to remove and install the Cabin Air Filter (CAF).

1. Open the glove compartment. Remove the glove compartment stoppers and lower the glove compartment.

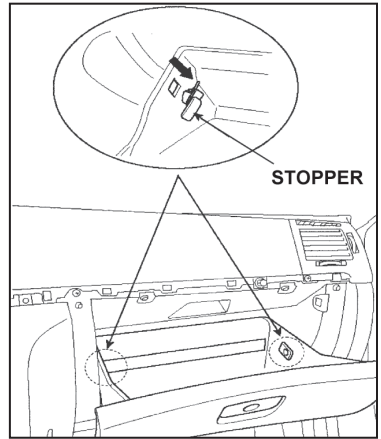


Fig. 1

2. Remove the CAF access cover by pushing the clasps.
3. Remove the original CAF assembly from the filter housing, then remove the CAF element from the filter holder. The original filter element can be discarded.

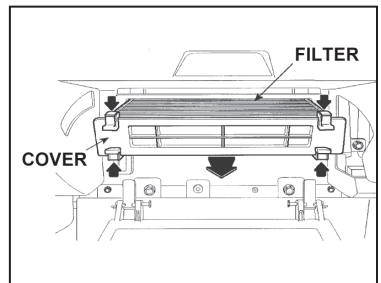


Fig. 2

Cabin Air Filter Installation

4. Install the replacement CAF element into the filter holder.
5. Reinstall the filter holder into the housing assembly.
6. Reinstall the CAF access cover.
7. Reposition the glove compartment, securing it with the stoppers and then close it.

Noise Test

8. Reconnect the battery ground cable.
9. Engine ON, A/C ON, blower speed on high.
10. Listen for any abnormal air noises from the air filter area.