



Cabin Air Filter

Removal & Installation Instructions

To maintain air conditioning efficiency, replace the air filter according to the manufacturer's maintenance schedule.

Always use an air filter. Removing the filter may decrease system performance by allowing dust to lower the efficiency of A/C and heating system components.

Prior to the installation of this DENSO First Time Fit® Cabin Air Filter, you must read these instructions completely.

Definition of Terms

- ⚠WARNING:** Describes precautions that should be observed in order to prevent injury or death to the user during installation.
- ⚠CAUTION:** Describes precautions that should be observed in order to prevent damage to the vehicle or its components, which may occur during installation if sufficient care is not taken.
- NOTE:** Provides additional information that facilitates installation work.

General Service Information and Requirements

⚠WARNING: To prevent the Supplemental Restraint System (SRS, Air Bag System) from operating, remove the ground (negative) cable from the battery, then wait at least 90 seconds before starting this procedure. This allows the backup power system to discharge.

NOTE: For more detailed instructions please refer to the vehicle manufacturer's service manual.

REQUIRED TOOLS:

- Safety Goggles
- Assorted Hand Tools

SAFETY PRECAUTIONS:

- Always wear safety goggles

Cabin Air Filter Removal

The information below explains necessary procedures and tools to remove and install the Cabin Air Filter.

1. Verify a filter was installed by the factory.

NOTE: A filter data label specifies a filter was installed.

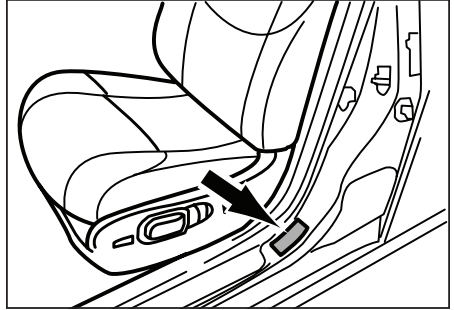


Fig. 1

2. Open the glove box. Remove the screw on the right side of the glove box and slide the damper link aside.

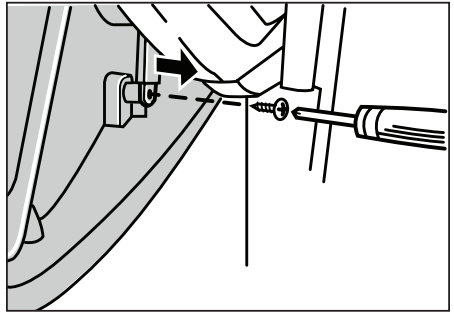


Fig. 2

3. Press both sides of the glove box inward to allow it to open past the stops. Swing the glove box completely open.

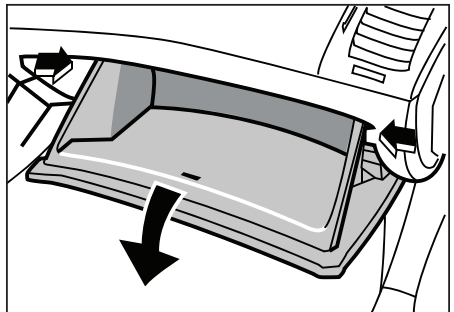


Fig. 3

4. Press both ends of the CAF access cover to release it from the HVAC assembly and remove the cover.
5. Remove and discard the original filter.

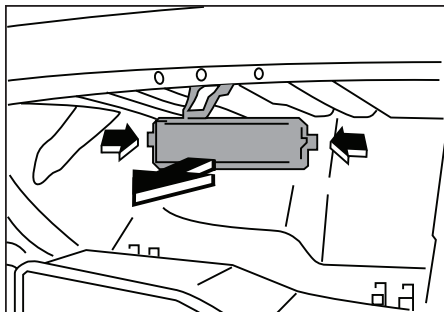


Fig. 4

Cabin Air Filter Installation

6. Insert a new CAF into the housing.
7. Reattach the CAF access cover.
8. Reposition the glove box and reattach the damper linkage then secure it to the glove box with the original screw.
9. Close the glove box door.

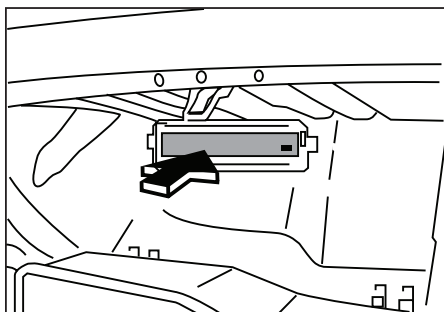


Fig. 5

Noise Test

10. Reconnect the battery ground cable.
11. Engine ON, A/C ON, blower speed on high.
12. Listen for any abnormal air noises from the air filter area.