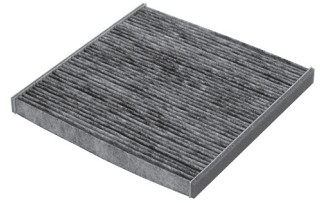




LA990009-1395.2



## **Cabin Air Filter**

### **Removal & Installation Instructions**

#### **Part# 453-1009**

To maintain air conditioning efficiency, replace the air filter according to the manufacturer's maintenance schedule.

Always use an air filter. Removing the filter may decrease system performance by allowing dust to lower the efficiency of A/C and heating system components.

Prior to the installation of this DENSO First Time Fit® Cabin Air Filter, you must read these instructions completely.

---

#### **Definition of Terms**

- ⚠WARNING:** Describes precautions that should be observed in order to prevent injury or death to the user during installation.
- ⚠CAUTION:** Describes precautions that should be observed in order to prevent damage to the vehicle or its components, which may occur during installation if sufficient care is not taken.
- NOTE:** Provides additional information that facilitates installation work.

---

#### **General Service Information and Requirements**

**⚠WARNING:** To prevent the Supplemental Restraint System (SRS, Air Bag System) from operating, remove the ground (negative) cable from the battery, then wait at least 90 seconds before starting this procedure. This allows the backup power system to discharge.

**NOTE:** For more detailed instructions please refer to the vehicle manufacturer's service manual.

#### **REQUIRED TOOLS:**

- Safety Goggles
- Assorted Hand Tools

#### **SAFETY PRECAUTIONS:**

- Always wear safety goggles

# Cabin Air Filter Removal

The information below explains necessary procedures and tools to remove and install the Cabin Air Filter.

**NOTE:** On some vehicles, there may be a lever to release the filter cover(s).

1. Open the glove box. Remove the screw on the right side of the glove box and slide the damper link aside.

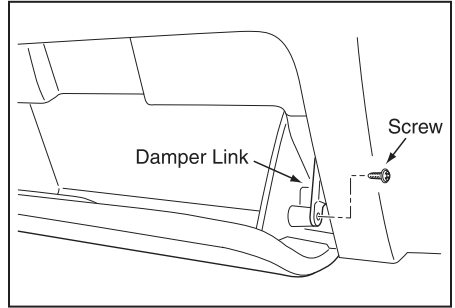


Fig. 1

2. Swing the glove box completely open.

**NOTE:** On some vehicles, remove the two pins on either side of the glove box.

On some vehicles, press both sides inward to open the door past the stops.

On some vehicles, remove the glove box.

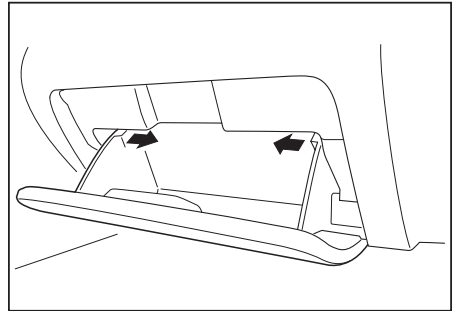


Fig. 2

3. Remove the air filter, then separate the air filter element from the filter holder.

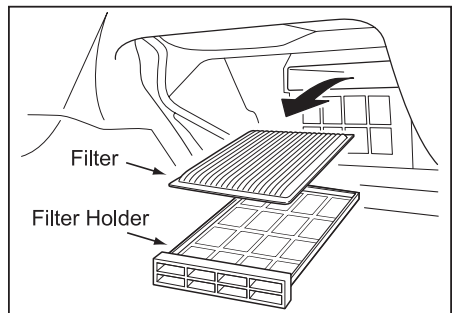


Fig. 3

## **Cabin Air Filter Installation**

1. Insert a new cabin air filter into the filter holder, then install into the housing.
2. Reattach the damper linkage and screw on the side of the glove box.
3. Close the glove box door.

## **Noise Test**

1. Reconnect the battery ground cable.
2. Engine ON, A/C ON, blower speed on high.
3. Listen for any abnormal air noises from the air filter area.