



Cabin Air Filter

Removal & Installation Instructions

To maintain air conditioning efficiency, replace the air filter according to the manufacturer's maintenance schedule.

Always use an air filter. Removing the filter may decrease system performance by allowing dust to lower the efficiency of A/C and heating system components.

Prior to the installation of this DENSO First Time Fit® Cabin Air Filter, you must read these instructions completely.

Definition of Terms

- ⚠WARNING:** Describes precautions that should be observed in order to prevent injury or death to the user during installation.
- ⚠CAUTION:** Describes precautions that should be observed in order to prevent damage to the vehicle or its components, which may occur during installation if sufficient care is not taken.
- NOTE:** Provides additional information that facilitates installation work.

General Service Information and Requirements

⚠WARNING: To prevent the Supplemental Restraint System (SRS, Air Bag System) from operating, remove the ground (negative) cable from the battery, then wait at least 90 seconds before starting this procedure. This allows the backup power system to discharge.

NOTE: For more detailed instructions please refer to the vehicle manufacturer's service manual.

REQUIRED TOOLS:

- Safety Goggles
- Assorted Hand Tools

SAFETY PRECAUTIONS:

- Always wear safety goggles

Cabin Air Filter Removal

The information below explains necessary procedures and tools to remove and install the Cabin Air Filter.

NOTE: On some vehicles, there may be a lever to release the filter cover(s).

1. Open the glove compartment door, then remove stop pins.

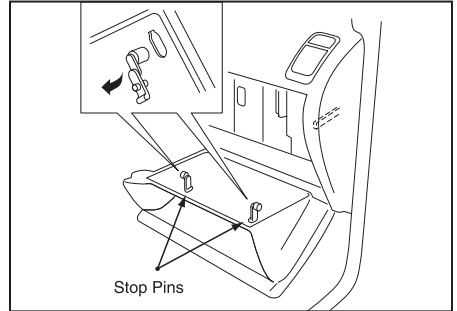


Fig. 1

2. Remove the two bolts attaching the glove compartment door to the instrument panel.

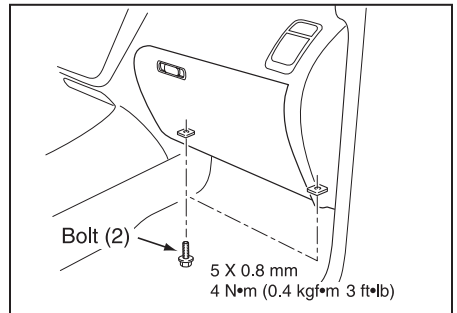


Fig. 2

3. Remove the glove compartment door.

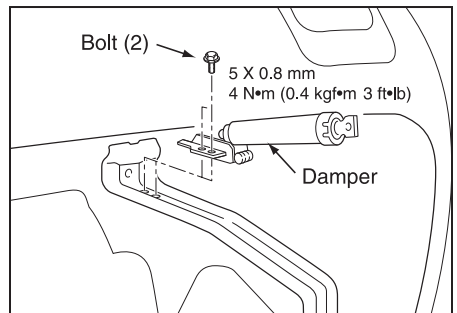


Fig. 3

- Cut the plastic cross brace that goes in front of the glove compartment door opening. Discard the cross brace.

NOTE: Use diagonal pliers to cut at the indicated area.

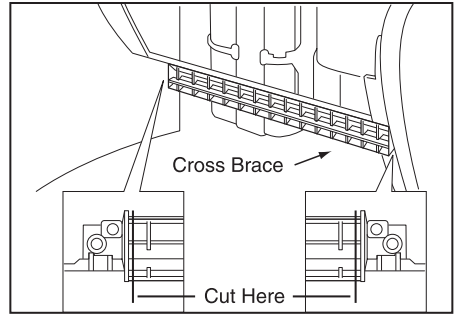


Fig. 4

- Remove the screws and bolts, then remove the glove compartment door frame.

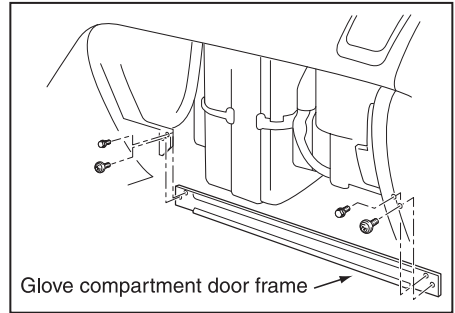


Fig. 5

- Remove the filter cover from the evaporator housing, then remove the cabin air filter.

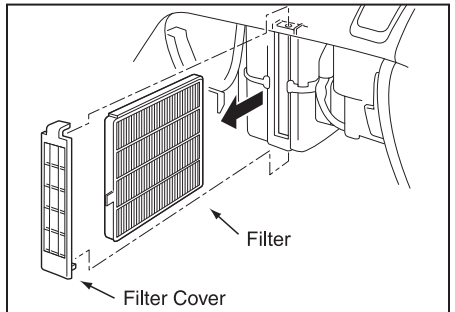


Fig. 6

Cabin Air Filter Installation

1. Insert a new cabin air filter into the evaporator housing.
2. Reinstall the filter cover. Verify the cover is seated securely.
3. Reinstall the glove compartment door frame.
4. Reinstall the glove compartment door damper, glove compartment door and stop pins.
5. Reconnect the battery ground cable.
6. Re-enter the radio anti-theft code using the radio selector buttons.

Noise Test

1. Engine ON, A/C ON, blower speed on high.
2. Listen for any abnormal air noises from the air filter area.