

# OUTFITTING GUIDE



**BMW 2018**



**K 1600**

**R 1200 GS/GSA (LC)**

**R 1200 GS/GSA (Hex Head)**

**R 1200 RT**

**R 1200 RS**

**R 1200 R**

**R nine T**

**S 1000 XR**

**F 800 GS/GSA**

**F 800 R**

**F 700 GS**

**G 310 GS**





# BMW K 1600 GT // GTL



## CANsmart™ Intelligent Accessory Controller

The DENALI CANsmart™ Controller provides plug-n-play installation and integrated control of up to four accessories to enable dozens of customizable settings that can be controlled right from the vehicle's original switches or the CANsmart™ Accessory Manager Software.

## LED Driving Lights & Daytime Running Lights

DENALI 2.0 lights feature high-intensity LEDs that are focused through our TriOptic™ Lens System to give you three unique beam patterns in one kit. Equipped with DataDim™ Technology and a modular HotSwap™ wiring harness, the lights can be upgraded in seconds to switch between half and full intensity using your vehicle's original high beam switch.



DM TriOptic™ LED Light  
White or Amber

D4 TriOptic™ LED Light  
White or Amber

D2 TriOptic™ LED Light  
White or Amber

DR1 TriOptic™ LED Light  
White or Amber

DRL Visibility Pods  
White or Amber



Compact Dual-Tone Air Horn

Mini Low-Tone Air Horn

## SoundBomb™ Horns

### Compact Size, Massive Sound

Producing an earsplitting 120 decibels of sound, the SoundBomb™ Compact Horn is 4 times louder than a standard motorcycle horn!

At 113 decibels, the SoundBomb™ Mini is twice as loud as a standard motorcycle horn. It can be installed right in place of the factory horn with no additional wiring or mounting brackets needed.

## Aux Brake Lights

### Single & Dual Plate Mounts

Purpose built to create the most amount of light from the smallest housing possible, the B6 is unbelievably bright but will practically disappear once installed on your bike. Connecting to the CANsmart™ enables programmable flash pattern and deceleration activated auto brake light functionality, making the B6 the brightest and most feature-rich auxiliary brake light on the market.



B6 Dual Plate Mount



B6 Single Plate Mount



B6 Waterproof Flush Mount

## CANsmart™ Accessory Package

Accessory Controller	SKU
CANsmart™ Controller	DNL.WHS.11700

Choose Your Lights	SKU
DM Light Pod (sold each)	DNL.DM.050
D2 Light Pod (sold each)	DNL.D2.050
D4 Light Pod (sold each)	DNL.D4.050
DR1 Light Pod (sold each)	DNL.DR1.050
DRLs with Fender Mount (Pair)	DNL.DRL.10000
DRL to CANsmart Wiring Adapter	DNL.WHS.048

Add Amber Lenses	SKU
DM Amber Lens Set (Pair)	DNL.DM.10100
D2 Amber Lens Set (Pair)	DNL.D2.10100
D4 Amber Lens Set (Pair)	DNL.D4.10100
DR1 Amber Lens Set (Pair)	DNL.DR1.10100

### BMW K1600 GL // GTL 2011-2018 // B 2018

Choose Light Mounting Location	SKU
Fairing Mount (2011-2017)	LAH.07.10800
Fairing Mount (2018)	LAH.07.11200
Bike Specific Fender Mount	LAH.07.10200
OEM Light Mount Adapter	LAH.07.11000
Crashbar/Engine Guard Mount	LAH.00.10300.B
Fender Mount	LAH.00.10700.B
Universal Pivot Mount	LAH.00.10000.B

Choose Your Horn	SKU
Split Horn	TT-SB.10100.B
Split Horn Mount	HMT.07.10500
Mini Horn (No mount needed)	TT-SB.10200.B

Choose Your Auxiliary Brake Light	SKU
B6 Single Brake Light	DNL.B6.10000
B6 Dual Brake Light	DNL.B6.10100





# BMW R 1200 GS // GSA (LC)



## CANsmart™ Intelligent Accessory Controller

The DENALI CANsmart™ Controller provides plug-n-play installation and integrated control of up to four accessories to enable dozens of customizable settings that can be controlled right from the vehicle's original switches or the CANsmart™ Accessory Manager Software.

## LED Driving Lights & Daytime Running Lights

DENALI 2.0 lights feature high-intensity LEDs that are focused through our TriOptic™ Lens System to give you three unique beam patterns in one kit. Equipped with DataDim™ Technology and a modular HotSwap™ wiring harness, the lights can be upgraded in seconds to switch between half and full intensity using your vehicle's original high beam switch.



DM TriOptic™ LED Light  
White or Amber



D4 TriOptic™ LED Light  
White or Amber



D2 TriOptic™ LED Light  
White or Amber



DR1 TriOptic™ LED Light  
White or Amber



DRL Visibility Pods  
White or Amber



Compact Dual-Tone Air Horn

Mini Low-Tone Air Horn

## SoundBomb™ Horns

### Compact Size, Massive Sound

Producing an earsplitting 120 decibels of sound, the SoundBomb™ Compact Horn is 4 times louder than a standard motorcycle horn!

At 113 decibels, the SoundBomb™ Mini is twice as loud as a standard motorcycle horn. It can be installed right in place of the factory horn with no additional wiring or mounting brackets needed.

## Aux Brake Lights

### Single & Dual Plate Mounts

Purpose built to create the most amount of light from the smallest housing possible, the B6 is unbelievably bright but will practically disappear once installed on your bike. Connecting to the CANsmart™ enables programmable flash pattern and deceleration activated auto brake light functionality, making the B6 the brightest and most feature-rich auxiliary brake light on the market.



B6 Dual Plate Mount



B6 Single Plate Mount



B6 Waterproof Flush Mount

## CANsmart™ Accessory Package

Accessory Controller	SKU
CANsmart™ Controller	DNL.WHS.11600

Choose Your Lights	SKU
DM Light Pod (sold each)	DNL.DM.050
D2 Light Pod (sold each)	DNL.D2.050
D4 Light Pod (sold each)	DNL.D4.050
DR1 Light Pod (sold each)	DNL.DR1.050
DRLs with Fender Mount (Pair)	DNL.DRL.10000
DRL to CANsmart Wiring Adapter	DNL.WHS.048

Add Amber Lenses	SKU
DM Amber Lens Set (Pair)	DNL.DM.10100
D2 Amber Lens Set (Pair)	DNL.D2.10100
D4 Amber Lens Set (Pair)	DNL.D4.10100
DR1 Amber Lens Set (Pair)	DNL.DR1.10100

## BMW R 1200 GS 2013-2018 // GSA 2014-2018

Choose Light Mounting Location	SKU
Fairing Mount (GS)	LAH.07.10400
Fairing Mount (GSA)	LAH.07.11100
OEM Light Mount Adapter	LAH.07.10900
Crashbar/Engine Guard Mount	LAH.00.10300.B
Fender Mount	LAH.00.10700.B
Universal Pivot Mount	LAH.00.10000.B

Choose Your Horn	SKU
Compact Horn	TT-SB.10000.B
Compact Horn Mount	HMT.07.10700
Mini Horn (No mount needed)	TT-SB.10200.B

Choose Your Auxiliary Brake Light	SKU
B6 Single Brake Light	DNL.B6.10000
B6 Dual Brake Light	DNL.B6.10100



# BMW R 1200 GS // GSA (HH)

OE CRASHBAR MOUNT

FAIRING MOUNT

CRASHBAR MOUNT

FORK MOUNT

CANsmart™  
CONTROLLER

B6 DUAL  
PLATE MOUNT

## CANsmart™ Intelligent Accessory Controller

The DENALI CANsmart™ Controller provides plug-n-play installation and integrated control of up to four accessories to enable dozens of customizable settings that can be controlled right from the vehicle's original switches or the CANsmart™ Accessory Manager Software.

## LED Driving Lights & Daytime Running Lights

DENALI 2.0 lights feature high-intensity LEDs that are focused through our TriOptic™ Lens System to give you three unique beam patterns in one kit. Equipped with DataDim™ Technology and a modular HotSwap™ wiring harness, the lights can be upgraded in seconds to switch between half and full intensity using your vehicle's original high beam switch.



DM TriOptic™ LED Light  
White or Amber



D4 TriOptic™ LED Light  
White or Amber



D2 TriOptic™ LED Light  
White or Amber



DR1 TriOptic™ LED Light  
White or Amber



DRL Visibility Pods  
White or Amber





Compact Dual-Tone Air Horn

Mini Low-Tone Air Horn

## SoundBomb™ Horns

### Compact Size, Massive Sound

Producing an earsplitting 120 decibels of sound, the SoundBomb™ Compact Horn is 4 times louder than a standard motorcycle horn!

At 113 decibels, the SoundBomb™ Mini is twice as loud as a standard motorcycle horn. It can be installed right in place of the factory horn with no additional wiring or mounting brackets needed.

## Aux Brake Lights

### Single & Dual Plate Mounts

Purpose built to create the most amount of light from the smallest housing possible, the B6 is unbelievably bright but will practically disappear once installed on your bike. Connecting to the CANsmart™ enables programmable flash pattern and deceleration activated auto brake light functionality, making the B6 the brightest and most feature-rich auxiliary brake light on the market.



B6 Dual Plate Mount



B6 Single Plate Mount



B6 Waterproof Flush Mount

## CANsmart™ Accessory Package

Accessory Controller	SKU
CANsmart™ Controller	DNL.WHS.11800

Choose Your Lights	SKU
DM Light Pod (sold each)	DNL.DM.050
D2 Light Pod (sold each)	DNL.D2.050
D4 Light Pod (sold each)	DNL.D4.050
DR1 Light Pod (sold each)	DNL.DR1.050
DRLs with Fender Mount (Pair)	DNL.DRL.10000
DRL to CANsmart Wiring Adapter	DNL.WHS.048

Add Amber Lenses	SKU
DM Amber Lens Set (Pair)	DNL.DM.10100
D2 Amber Lens Set (Pair)	DNL.D2.10100
D4 Amber Lens Set (Pair)	DNL.D4.10100
DR1 Amber Lens Set (Pair)	DNL.DR1.10100

## BMW R 1200 GS 2004-2012 // GSA 2005-2013

Choose Light Mounting Location	SKU
Bike Specific Fairing Mount	LAH.07.10300
OEM Light Mount Adapter	LAH.07.10900
Fork Mount (Outter)	LAH.00.10500.B
Crashbar/Engine Guard Mount	LAH.00.10300.B
Universal Pivot Mount	LAH.00.10000.B

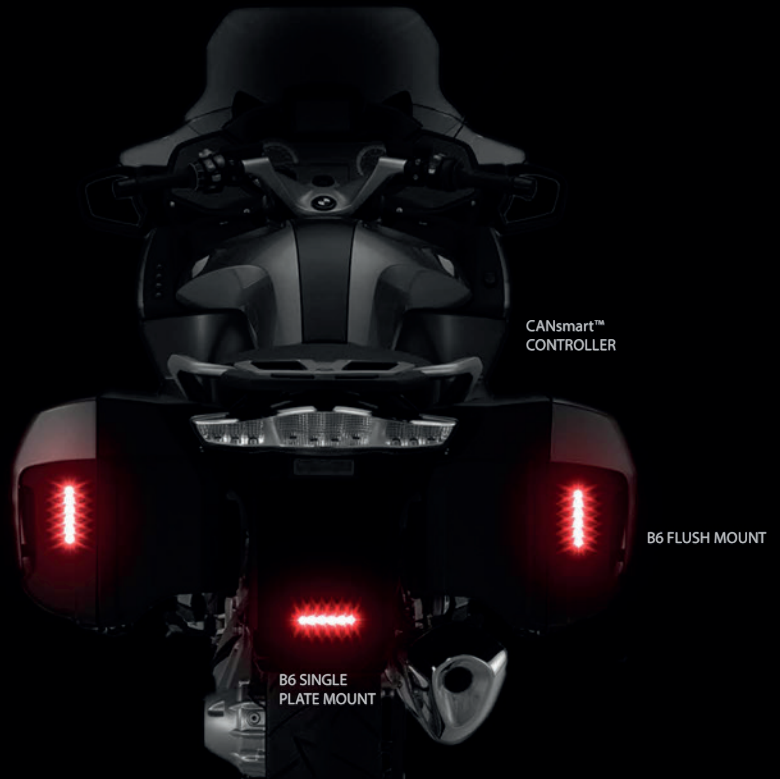
Choose Your Horn	SKU
Split Horn	TT-SB.10100.B
Crashbar Horn Mount	HMT.00.10100
Mini Horn (No mount needed)	TT-SB.10200.B

Select Auxiliary Brake Light	SKU
B6 Single Brake Light	DNL.B6.10000
B6 Dual Brake Light	DNL.B6.10100





BMW R 1200 RT



### CANsmart™ Intelligent Accessory Controller

The DENALI CANsmart™ Controller provides plug-n-play installation and integrated control of up to four accessories to enable dozens of customizable settings that can be controlled right from the vehicle's original switches or the CANsmart™ Accessory Manager Software.

## LED Driving Lights & Daytime Running Lights

DENALI 2.0 lights feature high-intensity LEDs that are focused through our TriOptic™ Lens System to give you three unique beam patterns in one kit. Equipped with DataDim™ Technology and a modular HotSwap™ wiring harness, the lights can be upgraded in seconds to switch between half and full intensity using your vehicle's original high beam switch.



DM TriOptic™ LED Light  
White or Amber



D4 TriOptic™ LED Light  
White or Amber



D2 TriOptic™ LED Light  
White or Amber



DR1 TriOptic™ LED Light  
White or Amber



DRL Visibility Pods  
White or Amber



Compact Dual-Tone Air Horn

Mini Low-Tone Air Horn

## SoundBomb™ Horns

### Compact Size, Massive Sound

Producing an earsplitting 120 decibels of sound, the SoundBomb™ Compact Horn is 4 times louder than a standard motorcycle horn!

At 113 decibels, the SoundBomb™ Mini is twice as loud as a standard motorcycle horn. It can be installed right in place of the factory horn with no additional wiring or mounting brackets needed.

## Aux Brake Lights

### Single & Dual Plate Mounts

Purpose built to create the most amount of light from the smallest housing possible, the B6 is unbelievably bright but will practically disappear once installed on your bike. Connecting to the CANsmart™ enables programmable flash pattern and deceleration activated auto brake light functionality, making the B6 the brightest and most feature-rich auxiliary brake light on the market.



B6 Dual Plate Mount



B6 Single Plate Mount



B6 Waterproof Flush Mount

## CANsmart™ Accessory Package

Accessory Controller	SKU
CANsmart™ Controller	DNL.WHS.11600

Choose Your Lights	SKU
DM Light Pod (sold each)	DNL.DM.050
D2 Light Pod (sold each)	DNL.D2.050
D4 Light Pod (sold each)	DNL.D4.050
DR1 Light Pod (sold each)	DNL.DR1.050
DRLs with Fender Mount (Pair)	DNL.DRL.10000
DRL to CANsmart Wiring Adapter	DNL.WHS.048

Add Amber Lenses	SKU
DM Amber Lens Set (Pair)	DNL.DM.10100
D2 Amber Lens Set (Pair)	DNL.D2.10100
D4 Amber Lens Set (Pair)	DNL.D4.10100
DR1 Amber Lens Set (Pair)	DNL.DR1.10100

## BMW R 1200 RT 2014-2018

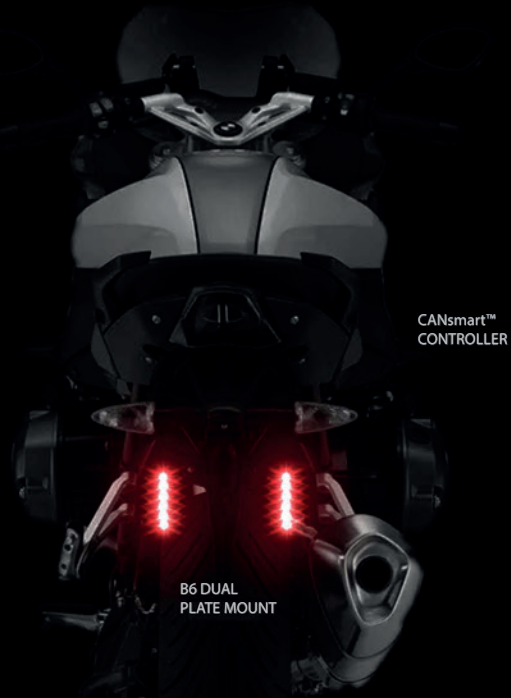
Choose Light Mounting Location	SKU
Bike Specific Fairing Mount	LAH.07.10700
Crashbar/Engine Guard Mount	LAH.00.10300.B
Fender Mount	LAH.00.10700.B
Universal Pivot Mount	LAH.00.10000.B

Choose Your Horn	SKU
Compact Horn	TT-SB.10000.B
Compact Horn Mount	HMT.07.10300
Mini Horn (No mount needed)	TT-SB.10200.B

Choose Your Auxiliary Brake Light	SKU
B6 Single Brake Light	DNL.B6.10000
B6 Dual Brake Light	DNL.B6.10100



BMW R 1200 RS



### CANsmart™ Intelligent Accessory Controller

The DENALI CANsmart™ Controller provides plug-n-play installation and integrated control of up to four accessories to enable dozens of customizable settings that can be controlled right from the vehicle's original switches or the CANsmart™ Accessory Manager Software.

## LED Driving Lights & Daytime Running Lights

DENALI 2.0 lights feature high-intensity LEDs that are focused through our TriOptic™ Lens System to give you three unique beam patterns in one kit. Equipped with DataDim™ Technology and a modular HotSwap™ wiring harness, the lights can be upgraded in seconds to switch between half and full intensity using your vehicle's original high beam switch.



DM TriOptic™ LED Light  
White or Amber



D4 TriOptic™ LED Light  
White or Amber



D2 TriOptic™ LED Light  
White or Amber



DR1 TriOptic™ LED Light  
White or Amber



DRL Visibility Pods  
White or Amber





Compact Dual-Tone Air Horn

Mini Low-Tone Air Horn

## SoundBomb™ Horns

### Compact Size, Massive Sound

Producing an earsplitting 120 decibels of sound, the SoundBomb™ Compact Horn is 4 times louder than a standard motorcycle horn!

At 113 decibels, the SoundBomb™ Mini is twice as loud as a standard motorcycle horn. It can be installed right in place of the factory horn with no additional wiring or mounting brackets needed.

## Aux Brake Lights

### Single & Dual Plate Mounts

Purpose built to create the most amount of light from the smallest housing possible, the B6 is unbelievably bright but will practically disappear once installed on your bike. Connecting to the CANsmart™ enables programmable flash pattern and deceleration activated auto brake light functionality, making the B6 the brightest and most feature-rich auxiliary brake light on the market.



B6 Dual Plate Mount



B6 Single Plate Mount



B6 Waterproof Flush Mount

## CANsmart™ Accessory Package

Accessory Controller	SKU
CANsmart™ Controller	DNL.WHS.11600

Choose Your Lights	SKU
DM Light Pod (sold each)	DNL.DM.050
D2 Light Pod (sold each)	DNL.D2.050
D4 Light Pod (sold each)	DNL.D4.050
DR1 Light Pod (sold each)	DNL.DR1.050
DRLs with Fender Mount (Pair)	DNL.DRL.10000
DRL to CANsmart Wiring Adapter	DNL.WHS.048

Add Amber Lenses	SKU
DM Amber Lens Set (Pair)	DNL.DM.10100
D2 Amber Lens Set (Pair)	DNL.D2.10100
D4 Amber Lens Set (Pair)	DNL.D4.10100
DR1 Amber Lens Set (Pair)	DNL.DR1.10100

## BMW R 1200 RS 2015-2018

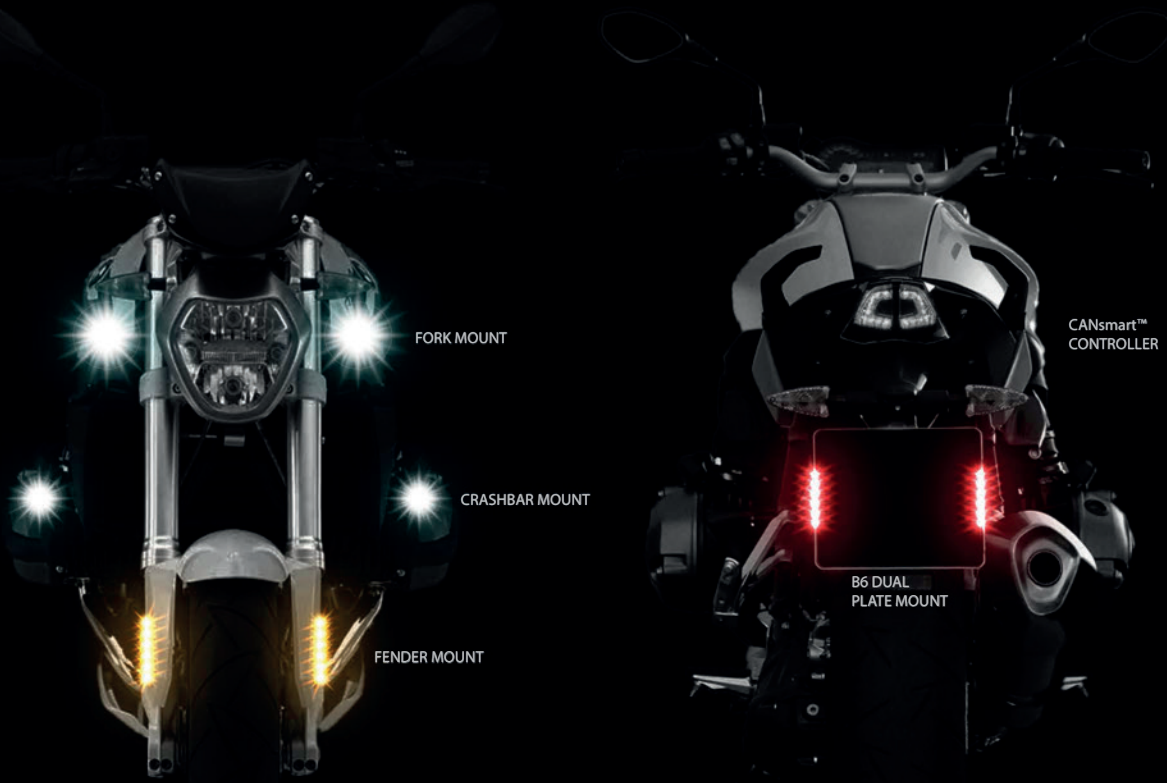
Choose Light Mounting Location	SKU
Crashbar/Engine Guard Mount	LAH.00.10300.B
Fender Mount	LAH.00.10700.B
Fork Mount (Outer)	LAH.00.10500.B
Universal Pivot Mount	LAH.00.10000.B

Choose Your Horn	SKU
Split Horn	TT-SB.10100.B
Crashbar Horn Mount	HMT.00.10100
Mini Horn (No mount needed)	TT-SB.10200.B

Select Auxiliary Brake Light	SKU
B6 Single Brake Light	DNL.B6.10000
B6 Dual Brake Light	DNL.B6.10100



BMW R 1200 R



### CANsmart™ Intelligent Accessory Controller

The DENALI CANsmart™ Controller provides plug-n-play installation and integrated control of up to four accessories to enable dozens of customizable settings that can be controlled right from the vehicle's original switches or the CANsmart™ Accessory Manager Software.

## LED Driving Lights & Daytime Running Lights

DENALI 2.0 lights feature high-intensity LEDs that are focused through our TriOptic™ Lens System to give you three unique beam patterns in one kit. Equipped with DataDim™ Technology and a modular HotSwap™ wiring harness, the lights can be upgraded in seconds to switch between half and full intensity using your vehicle's original high beam switch.



DM TriOptic™ LED Light  
White or Amber



D4 TriOptic™ LED Light  
White or Amber



D2 TriOptic™ LED Light  
White or Amber



DR1 TriOptic™ LED Light  
White or Amber



DRL Visibility Pods  
White or Amber



Compact Dual-Tone Air Horn

Mini Low-Tone Air Horn

## SoundBomb™ Horns

### Compact Size, Massive Sound

Producing an earsplitting 120 decibels of sound, the SoundBomb™ Compact Horn is 4 times louder than a standard motorcycle horn!

At 113 decibels, the SoundBomb™ Mini is twice as loud as a standard motorcycle horn. It can be installed right in place of the factory horn with no additional wiring or mounting brackets needed.

## Aux Brake Lights

### Single & Dual Plate Mounts

Purpose built to create the most amount of light from the smallest housing possible, the B6 is unbelievably bright but will practically disappear once installed on your bike. Connecting to the CANsmart™ enables programmable flash pattern and deceleration activated auto brake light functionality, making the B6 the brightest and most feature-rich auxiliary brake light on the market.



B6 Dual Plate Mount



B6 Single Plate Mount



B6 Waterproof Flush Mount

## CANsmart™ Accessory Package

Accessory Controller	SKU
CANsmart™ Controller	DNL.WHS.11600

Choose Your Lights	SKU
DM Light Pod (sold each)	DNL.DM.050
D2 Light Pod (sold each)	DNL.D2.050
D4 Light Pod (sold each)	DNL.D4.050
DR1 Light Pod (sold each)	DNL.DR1.050
DRLs with Fender Mount (Pair)	DNL.DRL.10000
DRL to CANsmart Wiring Adapter	DNL.WHS.048

Add Amber Lenses	SKU
DM Amber Lens Set (Pair)	DNL.DM.10100
D2 Amber Lens Set (Pair)	DNL.D2.10100
D4 Amber Lens Set (Pair)	DNL.D4.10100
DR1 Amber Lens Set (Pair)	DNL.DR1.10100

## BMW R 1200 R 2015-2018

Choose Light Mounting Location	SKU
Crashbar/Engine Guard Mount	LAH.00.10300.B
Fender Mount	LAH.00.10700.B
Fork Mount (Outer)	LAH.00.10500.B
Universal Pivot Mount	LAH.00.10000.B

Choose Your Horn	SKU
Split Horn	TT-SB.10100.B
Crashbar Horn Mount	HMT.00.10100
Mini Horn (No mount needed)	TT-SB.10200.B

Choose Your Auxiliary Brake Light	SKU
B6 Single Brake Light	DNL.B6.10000
B6 Dual Brake Light	DNL.B6.10100





# LED Driving Lights & Daytime Running Lights

DENALI 2.0 lights feature high-intensity LEDs that are focused through our TriOptic™ Lens System to give you three unique beam patterns in one kit. Equipped with DataDim™ Technology and a modular HotSwap™ wiring harness, the lights can be upgraded in seconds to switch between half and full intensity using your vehicle's original high beam switch.



DM TriOptic™ LED Light  
White or Amber



D4 TriOptic™ LED Light  
White or Amber



D2 TriOptic™ LED Light  
White or Amber



DR1 TriOptic™ LED Light  
White or Amber



DRL Visibility Pods  
White or Amber



Compact Dual-Tone Air Horn

Mini Low-Tone Air Horn

## SoundBomb™ Horns

### Compact Size, Massive Sound

Producing an earsplitting 120 decibels of sound, the SoundBomb™ Compact Horn is 4 times louder than a standard motorcycle horn!

At 113 decibels, the SoundBomb™ Mini is twice as loud as a standard motorcycle horn. It can be installed right in place of the factory horn with no additional wiring or mounting brackets needed.

## Aux Brake Lights

### Single & Dual Plate Mounts

Purpose built to create the most amount of light from the smallest housing possible, the B6 is unbelievably bright but will practically disappear once installed on your bike. Connecting to the CANsmart™ enables programmable flash pattern and deceleration activated auto brake light functionality, making the B6 the brightest and most feature-rich auxiliary brake light on the market.



B6 Single Plate Mount



B6 Waterproof Flush Mount



B6 Dual Plate Mount

## DENALI Accessory Package

Accessory Controller	SKU
PowerHub2	DNL.ELC.10000
Power Tap	DNL.WHS.10000

Choose Your Lights	SKU
DM Light Kit	DNL.DM.10000
D2 Light Kit	DNL.D2.10000
D4 Light Kit	DNL.D4.10000
DR1 Light Kit	DNL.DR1.10000
DRLs with Fender Mount (Pair)	DNL.DRL.10000

Add Amber Lenses	SKU
DM Amber Lens Set (Pair)	DNL.DM.10100
D2 Amber Lens Set (Pair)	DNL.D2.10100
D4 Amber Lens Set (Pair)	DNL.D4.10100
DR1 Amber Lens Set (Pair)	DNL.DR1.10100

## BMW R nine T 2014-2018

Choose Light Mounting Location	SKU
Crashbar/Engine Guard Mount	LAH.00.10300.B
Fender Mount	LAH.00.10700.B
Fork Mount (Inner)	LAH.00.10600.B
Fork Mount (Outer)	LAH.00.10500.B
Universal Pivot Mount	LAH.00.10000.B

Choose Your Horn	SKU
Split Horn	TT-SB.10100.B
Crashbar Horn Mount	HMT.00.10100
Horn Wiring Harness	DNL.ELC.10000
Horn Wiring Adapter	DNL.WHS.10100
Mini Horn (No mount or harness needed)	TT-SB.10200.B

Choose Your Auxiliary Brake Light	SKU
B6 Single Brake Light	DNL.B6.10000
B6 Dual Brake Light	DNL.B6.10100



BMW S 1000 XR



## LED Driving Lights & Daytime Running Lights

DENALI 2.0 lights feature high-intensity LEDs that are focused through our TriOptic™ Lens System to give you three unique beam patterns in one kit. Equipped with DataDim™ Technology and a modular HotSwap™ wiring harness, the lights can be upgraded in seconds to switch between half and full intensity using your vehicle's original high beam switch.



DM TriOptic™ LED Light  
White or Amber



D4 TriOptic™ LED Light  
White or Amber



D2 TriOptic™ LED Light  
White or Amber



DR1 TriOptic™ LED Light  
White or Amber



DRL Visibility Pods  
White or Amber





Compact Dual-Tone Air Horn

Mini Low-Tone Air Horn

## SoundBomb™ Horns

### Compact Size, Massive Sound

Producing an earsplitting 120 decibels of sound, the SoundBomb™ Compact Horn is 4 times louder than a standard motorcycle horn!

At 113 decibels, the SoundBomb™ Mini is twice as loud as a standard motorcycle horn. It can be installed right in place of the factory horn with no additional wiring or mounting brackets needed.

## Aux Brake Lights

### Single & Dual Plate Mounts

Purpose built to create the most amount of light from the smallest housing possible, the B6 is unbelievably bright but will practically disappear once installed on your bike. Connecting to the CANsmart™ enables programmable flash pattern and deceleration activated auto brake light functionality, making the B6 the brightest and most feature-rich auxiliary brake light on the market.



B6 Dual Plate Mount



B6 Single Plate Mount



B6 Waterproof Flush Mount

## DENALI Accessory Package

Accessory Controller	SKU
PowerHub2	DNL.ELC.10000
Power Tap	DNL.WHS.10000

Choose Your Lights	SKU
DM Light Kit	DNL.DM.10000
D2 Light Kit	DNL.D2.10000
D4 Light Kit	DNL.D4.10000
DR1 Light Kit	DNL.DR1.10000
DRLs with Fender Mount (Pair)	DNL.DRL.10000

Add Amber Lenses	SKU
DM Amber Lens Set (Pair)	DNL.DM.10100
D2 Amber Lens Set (Pair)	DNL.D2.10100
D4 Amber Lens Set (Pair)	DNL.D4.10100
DR1 Amber Lens Set (Pair)	DNL.DR1.10100

## BMW S 1000 XR 2015-2018

Choose Light Mounting Location	SKU
Crashbar/Engine Guard Mount	LAH.00.10300.B
Fender Mount	LAH.00.10700.B
Fork Mount (Outer)	LAH.00.10500.B
Universal Pivot Mount	LAH.00.10000.B

Choose Your Horn	SKU
Split Horn	TT-SB.10100.B
Split Horn Mount	HMT.07.10600
Horn Wiring Harness	DNL.ELC.10000
Horn Wiring Adapter	DNL.WHS.10100
Mini Horn (No mount or harness needed)	TT-SB.10200.B

Choose Your Auxiliary Brake Light	SKU
B6 Single Brake Light	DNL.B6.10000
B6 Dual Brake Light	DNL.B6.10100



# BMW F 800 GS // GSA



## CANsmart™ Intelligent Accessory Controller

The DENALI CANsmart™ Controller provides plug-n-play installation and integrated control of up to four accessories to enable dozens of customizable settings that can be controlled right from the vehicle's original switches or the CANsmart™ Accessory Manager Software.

## LED Driving Lights & Daytime Running Lights

DENALI 2.0 lights feature high-intensity LEDs that are focused through our TriOptic™ Lens System to give you three unique beam patterns in one kit. Equipped with DataDim™ Technology and a modular HotSwap™ wiring harness, the lights can be upgraded in seconds to switch between half and full intensity using your vehicle's original high beam switch.



DM TriOptic™ LED Light  
White or Amber



D4 TriOptic™ LED Light  
White or Amber



D2 TriOptic™ LED Light  
White or Amber



DR1 TriOptic™ LED Light  
White or Amber



DRL Visibility Pods  
White or Amber



Compact Dual-Tone Air Horn

Mini Low-Tone Air Horn

## SoundBomb™ Horns

### Compact Size, Massive Sound

Producing an earsplitting 120 decibels of sound, the SoundBomb™ Compact Horn is 4 times louder than a standard motorcycle horn!

At 113 decibels, the SoundBomb™ Mini is twice as loud as a standard motorcycle horn. It can be installed right in place of the factory horn with no additional wiring or mounting brackets needed.

## Aux Brake Lights

### Single & Dual Plate Mounts

Purpose built to create the most amount of light from the smallest housing possible, the B6 is unbelievably bright but will practically disappear once installed on your bike. Connecting to the CANsmart™ enables programmable flash pattern and deceleration activated auto brake light functionality, making the B6 the brightest and most feature-rich auxiliary brake light on the market.



B6 Dual Plate Mount



B6 Single Plate Mount



B6 Waterproof Flush Mount

## CANsmart™ Accessory Package

Accessory Controller	SKU
CANsmart™ Controller	DNL.WHS.11900

Choose Your Lights	SKU
DM Light Pod (sold each)	DNL.DM.050
D2 Light Pod (sold each)	DNL.D2.050
D4 Light Pod (sold each)	DNL.D4.050
DR1 Light Pod (sold each)	DNL.DR1.050
DRLs with Fender Mount (Pair)	DNL.DRL.10000
DRL to CANsmart Wiring Adapter	DNL.WHS.048

Add Amber Lenses	SKU
DM Amber Lens Set (Pair)	DNL.DM.10100
D2 Amber Lens Set (Pair)	DNL.D2.10100
D4 Amber Lens Set (Pair)	DNL.D4.10100
DR1 Amber Lens Set (Pair)	DNL.DR1.10100

## BMW F 800 GS 2013-2018 // GSA 2014-2017

Choose Light Mounting Location	SKU
Bike Specific Fairing Mount	LAH.07.10100
OEM Light Mount Adapter	LAH.07.10900
Crashbar/Engine Guard Mount	LAH.00.10300.B
Fender Mount	LAH.00.10700.B
Fork Mount (Outer)	LAH.00.10500
Universal Pivot Mount	LAH.00.10000.B

Choose Your Horn	SKU
Compact Horn	TT-SB.10000.B
Compact Horn Mount (GS only)	HMT.07.10000
Crashbar Horn Mount	HMT.00.10100
Mini Horn (No mount needed)	TT-SB.10200.B

Choose Your Auxiliary Brake Light	SKU
B6 Single Brake Light	DNL.B6.10000
B6 Dual Brake Light	DNL.B6.10100





BMW F 800 R



### CANsmart™ Intelligent Accessory Controller

The DENALI CANsmart™ Controller provides plug-n-play installation and integrated control of up to four accessories to enable dozens of customizable settings that can be controlled right from the vehicle's original switches or the CANsmart™ Accessory Manager Software.

## LED Driving Lights & Daytime Running Lights

DENALI 2.0 lights feature high-intensity LEDs that are focused through our TriOptic™ Lens System to give you three unique beam patterns in one kit. Equipped with DataDim™ Technology and a modular HotSwap™ wiring harness, the lights can be upgraded in seconds to switch between half and full intensity using your vehicle's original high beam switch.



DM TriOptic™ LED Light  
White or Amber



D4 TriOptic™ LED Light  
White or Amber



D2 TriOptic™ LED Light  
White or Amber



DR1 TriOptic™ LED Light  
White or Amber



DRL Visibility Pods  
White or Amber



Compact Dual-Tone Air Horn

Mini Low-Tone Air Horn

## SoundBomb™ Horns

### Compact Size, Massive Sound

Producing an earsplitting 120 decibels of sound, the SoundBomb™ Compact Horn is 4 times louder than a standard motorcycle horn!

At 113 decibels, the SoundBomb™ Mini is twice as loud as a standard motorcycle horn. It can be installed right in place of the factory horn with no additional wiring or mounting brackets needed.

## Aux Brake Lights

### Single & Dual Plate Mounts

Purpose built to create the most amount of light from the smallest housing possible, the B6 is unbelievably bright but will practically disappear once installed on your bike. Connecting to the CANsmart™ enables programmable flash pattern and deceleration activated auto brake light functionality, making the B6 the brightest and most feature-rich auxiliary brake light on the market.



B6 Single Plate Mount



B6 Waterproof Flush Mount



B6 Dual Plate Mount

## CANsmart™ Accessory Package

Accessory Controller	SKU
CANsmart™ Controller	DNL.WHS.11900

Choose Your Lights	SKU
DM Light Pod (sold each)	DNL.DM.050
D2 Light Pod (sold each)	DNL.D2.050
D4 Light Pod (sold each)	DNL.D4.050
DR1 Light Pod (sold each)	DNL.DR1.050
DRLs with Fender Mount (Pair)	DNL.DRL.10000
DRL to CANsmart Wiring Adapter	DNL.WHS.048

Add Amber Lenses	SKU
DM Amber Lens Set (Pair)	DNL.DM.10100
D2 Amber Lens Set (Pair)	DNL.D2.10100
D4 Amber Lens Set (Pair)	DNL.D4.10100
DR1 Amber Lens Set (Pair)	DNL.DR1.10100

## BMW F 800 R 2015-2018

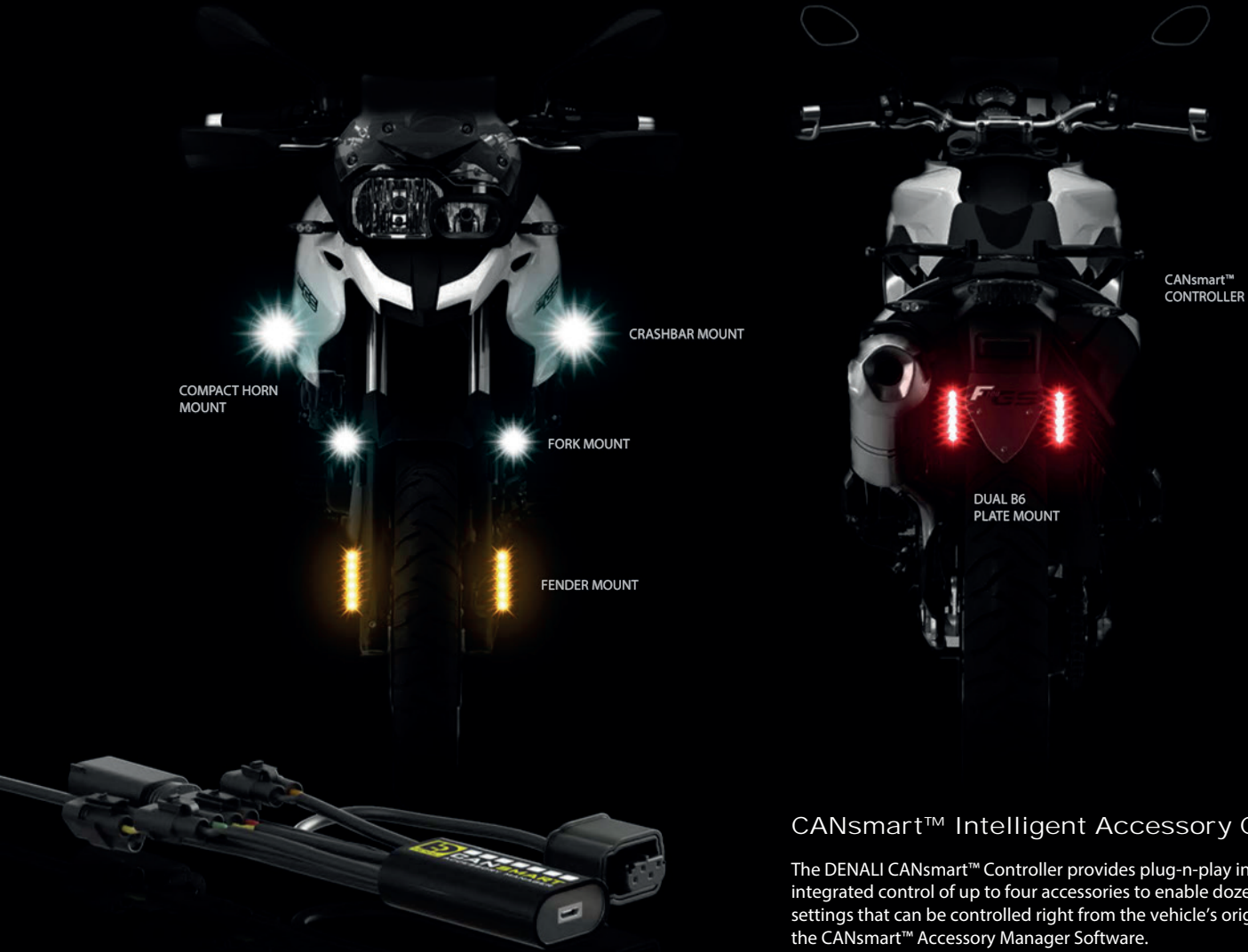
Choose Light Mounting Location	SKU
Crashbar/Engine Guard Mount	LAH.00.10300.B
Fender Mount	LAH.00.10700.B
Fork Mount (Outer)	LAH.00.10500.B
Universal Pivot Mount	LAH.00.10000.B

Choose Your Horn	SKU
Split Horn	TT-SB.10100.B
Crashbar Horn Mount	HMT.00.10100
Mini Horn (No mount needed)	TT-SB.10200.B

Choose Your Auxiliary Brake Light	SKU
B6 Single Brake Light	DNL.B6.10000
B6 Dual Brake Light	DNL.B6.10100



BMW F 700 GS



### CANsmart™ Intelligent Accessory Controller

The DENALI CANsmart™ Controller provides plug-n-play installation and integrated control of up to four accessories to enable dozens of customizable settings that can be controlled right from the vehicle's original switches or the CANsmart™ Accessory Manager Software.

## LED Driving Lights & Daytime Running Lights

DENALI 2.0 lights feature high-intensity LEDs that are focused through our TriOptic™ Lens System to give you three unique beam patterns in one kit. Equipped with DataDim™ Technology and a modular HotSwap™ wiring harness, the lights can be upgraded in seconds to switch between half and full intensity using your vehicle's original high beam switch.



DM TriOptic™ LED Light  
White or Amber



D4 TriOptic™ LED Light  
White or Amber



D2 TriOptic™ LED Light  
White or Amber



DR1 TriOptic™ LED Light  
White or Amber



DRL Visibility Pods  
White or Amber





Compact Dual-Tone Air Horn

Mini Low-Tone Air Horn

## SoundBomb™ Horns

### Compact Size, Massive Sound

Producing an earsplitting 120 decibels of sound, the SoundBomb™ Compact Horn is 4 times louder than a standard motorcycle horn!

At 113 decibels, the SoundBomb™ Mini is twice as loud as a standard motorcycle horn. It can be installed right in place of the factory horn with no additional wiring or mounting brackets needed.

## Aux Brake Lights

### Single & Dual Plate Mounts

Purpose built to create the most amount of light from the smallest housing possible, the B6 is unbelievably bright but will practically disappear once installed on your bike. Connecting to the CANsmart™ enables programmable flash pattern and deceleration activated auto brake light functionality, making the B6 the brightest and most feature-rich auxiliary brake light on the market.



B6 Dual Plate Mount



B6 Single Plate Mount



B6 Waterproof Flush Mount

## CANsmart™ Accessory Package

Accessory Controller	SKU
CANsmart™ Controller	DNL.WHS.11900

Choose Your Lights	SKU
DM Light Pod (sold each)	DNL.DM.050
D2 Light Pod (sold each)	DNL.D2.050
D4 Light Pod (sold each)	DNL.D4.050
DR1 Light Pod (sold each)	DNL.DR1.050
DRLs with Fender Mount (Pair)	DNL.DRL.10000
DRL to CANsmart Wiring Adapter	DNL.WHS.048

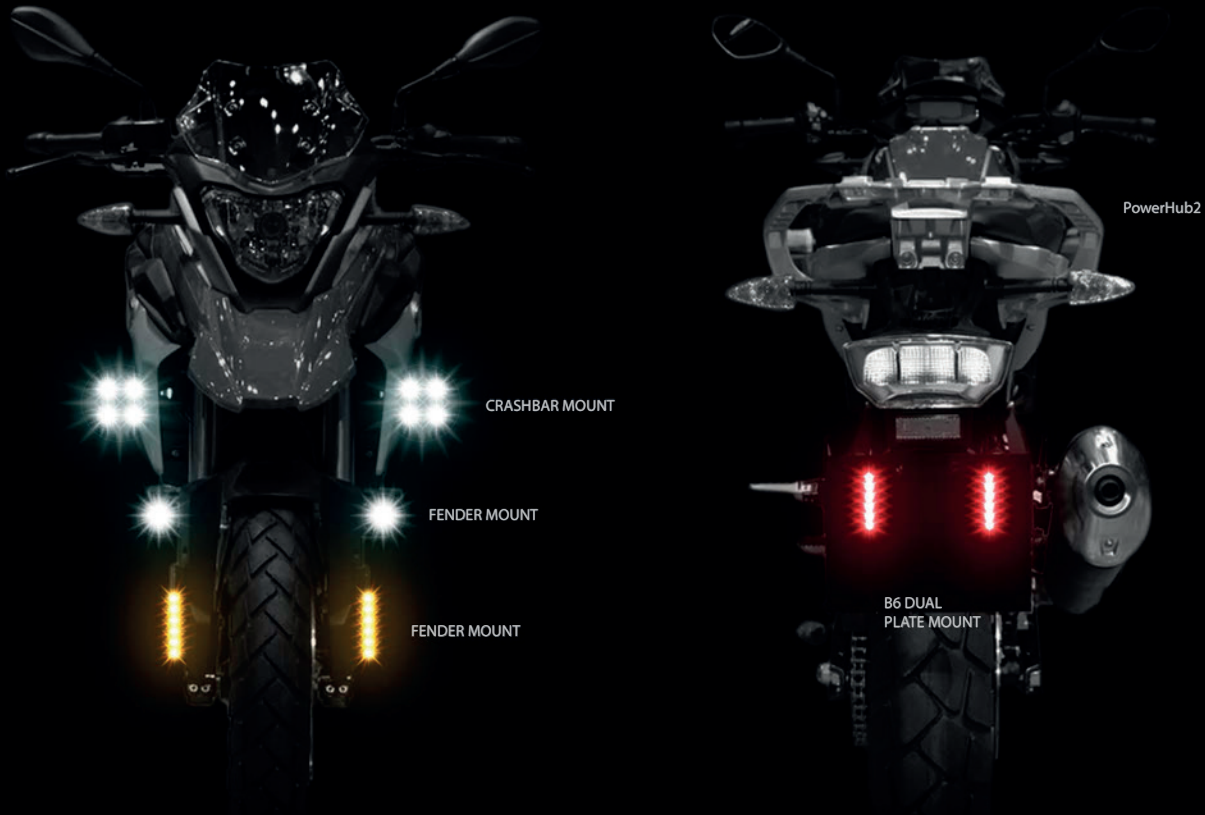
Add Amber Lenses	SKU
DM Amber Lens Set (Pair)	DNL.DM.10100
D2 Amber Lens Set (Pair)	DNL.D2.10100
D4 Amber Lens Set (Pair)	DNL.D4.10100
DR1 Amber Lens Set (Pair)	DNL.DR1.10100

## BMW F 700 GS 2013-2018

Choose Light Mounting Location	SKU
Crashbar/Engine Guard Mount	LAH.00.10300.B
Fork Mount (Outer)	LAH.00.10500
Fender Mount	LAH.00.10700.B
Universal Pivot Mount	LAH.00.10000.B

Choose Your Horn	SKU
Compact Horn	TT-SB.10000.B
Compact Horn Mount	HMT.07.10000
Mini Horn (No mount needed)	TT-SB.10200.B

Select Auxiliary Brake Light	SKU
B6 Single Brake Light	DNL.B6.10000
B6 Dual Brake Light	DNL.B6.10100



## LED Driving Lights & Daytime Running Lights

DENALI 2.0 lights feature high-intensity LEDs that are focused through our TriOptic™ Lens System to give you three unique beam patterns in one kit. Equipped with DataDim™ Technology and a modular HotSwap™ wiring harness, the lights can be upgraded in seconds to switch between half and full intensity using your vehicle's original high beam switch.



DM TriOptic™ LED Light  
White or Amber



D4 TriOptic™ LED Light  
White or Amber



D2 TriOptic™ LED Light  
White or Amber



DR1 TriOptic™ LED Light  
White or Amber



DRL Visibility Pods  
White or Amber



Compact Dual-Tone Air Horn

Mini Low-Tone Air Horn

## SoundBomb™ Horns

### Compact Size, Massive Sound

Producing an earsplitting 120 decibels of sound, the SoundBomb™ Compact Horn is 4 times louder than a standard motorcycle horn!

At 113 decibels, the SoundBomb™ Mini is twice as loud as a standard motorcycle horn. It can be installed right in place of the factory horn with no additional wiring or mounting brackets needed.

## Aux Brake Lights

### Single & Dual Plate Mounts

Purpose built to create the most amount of light from the smallest housing possible, the B6 is unbelievably bright but will practically disappear once installed on your bike. Connecting to the CANsmart™ enables programmable flash pattern and deceleration activated auto brake light functionality, making the B6 the brightest and most feature-rich auxiliary brake light on the market.



B6 Dual Plate Mount



B6 Single Plate Mount



B6 Waterproof Flush Mount

## DENALI Accessory Package

Accessory Controller	SKU
PowerHub2	DNL.ELC.10000
Power Tap	DNL.WHS.10000

Choose Your Lights	SKU
DM Light Kit	DNL.DM.10000
D2 Light Kit	DNL.D2.10000
D4 Light Kit	DNL.D4.10000
DR1 Light Kit	DNL.DR1.10000
DRLs with Fender Mount (Pair)	DNL.DRL.10000

Add Amber Lenses	SKU
DM Amber Lens Set (Pair)	DNL.DM.10100
D2 Amber Lens Set (Pair)	DNL.D2.10100
D4 Amber Lens Set (Pair)	DNL.D4.10100
DR1 Amber Lens Set (Pair)	DNL.DR1.10100

## BMW G 310 GS 2018

Choose Light Mounting Location	SKU
Crashbar/Engine Guard Mount	LAH.00.10300.B
Fender Mount	LAH.00.10700.B
Universal Pivot Mount	LAH.00.10000.B

Choose Your Horn	SKU
Split Horn	TT-SB.10100.B
Crashbar Horn Mount	HMT.00.10100
Horn Wiring Harness	DNL.ELC.10000
Horn Wiring Adapter	DNL.WHS.10100
Mini Horn (No mount or harness needed)	TT-SB.10200.B

Choose Your Auxiliary Brake Light	SKU
B6 Single Brake Light	DNL.B6.10000
B6 Dual Brake Light	DNL.B6.10100





# 2.0 LIGHT KIT FEATURES

## BRIGHTER, SMARTER MORE VERSATILE



### Hi-Intensity Cree LEDs

The "HI" series LEDs are more efficient, producing 20% more light output (lumens) without increasing power draw.



### Multi-Beam Lens System

Three unique beam patterns in one kit. Use two spots for maximum distance, two floods for maximum spread, or one of each for a Hybrid.



### LED Dimming Technology

Our DataDim™ Controller lets you switch between half and full intensity using your vehicle's high beam switch.



### Modular Wiring Harness

The modular design enables an effortless swap from the standard single-intensity relay to our dual-intensity Controller.



### Waterproof Construction

A robust waterproof seal around the wiring cavity ensures that water stays out, even if the wire is cut.



### Corrosion-Proof Bezels

Our bezels are molded in 100% polycarbonate to create an impenetrable surface that won't rust, fade, or corrode.



### Thermal Management

Cutting-edge LED drivers work with our specialized heat sink design to keep the lights cool, ensuring maximum output.



### Approved Lens System

Included in all light kits so you can stay street-legal on-road while maintaining the option for maximum distance off-road.



### M5 & M7 LED Headlight Modules

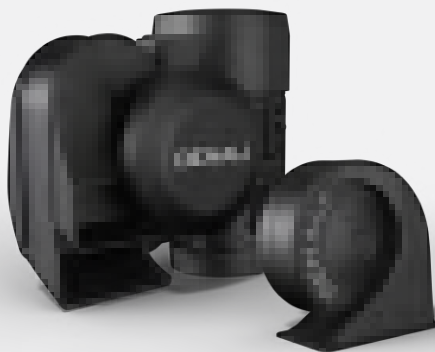
DOT Compliant High/Low Beam  
Beam Distance: High 600 ft, Low 550 ft

7" Module: TT-M7  
5.75" Module: TT-M7

### M4 LED Passing Lamp Module

DOT Compliant Passing Beam  
Beam Distance: 500 ft

4.5" Module: TT-M4



### SoundBomb™ Dual-Tone Air Horn

Sound Output: 120 dB at 3 ft  
Dimensions: 5.4in x 4.5in x 3.6in

Compact Model: TT-SB.10000.B  
Split Model: TT-SB.10100.B

### SoundBomb™ Mini Low-Tone Horn

Sound Output: 113 dB at 3 ft  
Dimensions: 3.25in x 3.4in x 2.5in

SKU: TT-SB.10200.B



### B6 LED Auxiliary Brake Light

LEDs: (6x) 1 Watt LEDs  
Lux: 24 lux @ 10 ft  
Power Draw: .5 Amps  
Function: Run/Brake  
Raw Lumens: 600  
Size: 7" wide x 2.5" tall x .5" deep

SKU: DNL.B6.10000



### Mounting Solutions

Our vast range of universal and vehicle specific mounting solutions guarantees that our lights and horns will fit your make and model. Consider mounting spot lights higher up for maximum distance and flood lights lower down for maximum day and night time visibility.

### Light & Horn Accessories



(A)



(B)



(C)



(D)



(E)



(F)



(G)



(H)



(A)



(B)



(C)



(D)



(E)



(F)



(G)



(H)



### (A) DataDim™ Controller

Plug-n-play upgrade to dual intensity  
SKU: DNL.WHS.11000

### (B) Hi-Low-Off Switch

Manual control for dual intensity function  
SKU: DNL.WHS.11200

### (C) Switch Eliminator

Triggers lights with vehicle ignition  
SKU: DNL.WHS.11300

### (D) Harness Extension

Adds 24" of length out to light pods  
SKU: DNL.WHS.11500

### (E) Perch Switch Mount

Mounts switch to instrument perch  
SKU: DNL.MBK.10000

### (F) Y-Splitter Kits

Runs two sets of lights on one harness  
SKU: DNL.WHS.11400

### (G) SoundBomb™ Horn Harness

Enables plug-n-play horn wiring  
SKU: DNL.ELC.10000

### (H) BMW Horn Adapter

Plug-n-play connection for BMWs  
SKU: DNL.WHS.10100

### (A) Bike-Specific Fairing Mounts

Positions lights high for max distance  
SKU: Available for many bike models

### (B) Bike-Specific Fender Mounts

Positions lights low for max visibility  
SKU: Available for many bike models

### (C) LED Headlight Module Mounts

Adapts module to fit Honda, Yamaha, & Triumph  
SKU: Available for many bike models

### (D) Bike-Specific Horn Mounts

Mounts horn in ideal location on each bike  
SKU: Available for many bike models

### (E) Universal Fairing "Pivot" Mount

Positions lights high for max distance  
SKU: DNL.D4.10000

### (F) Universal Fender Mount

Positions lights low for max visibility  
SKU: DNL.D4.10000

### (G) Universal Crashbar Mounts

Bar Size 7/8" - 1 1/8": LAH.00.10300.B  
Bar Size 1 1/4" - 1 1/2": LAH.00.10400.B

### (H) Universal Fork Tube Mounts

Fork Size 39-49mm: LAH.00.10600.B  
Fork Size 50-60mm: LAH.00.10500.B





### D4 TriOptic™ LED Light Kit

LEDs: (8x) 10 Watt Cree XPL HI  
 Power Draw: 6.6 amps  
 Beam Distance (Spot): 800 ft  
 Beam Width (Spot): 110 ft  
 Raw Lumens: 8760  
 Pod Size: 3.9" Square x 2.6" Deep

Light Kit: DNL.D4.10000  
 Light Pod: DNL.D4.050

Amber Lens Kit: DNL.D4.10100



### DR1 TriOptic™ LED Light Kit

LEDs: (2x) 10 Watt Cree XPL HI  
 Power Draw: 1.6 amps  
 Beam Distance (Spot): 1000 ft  
 Beam Width (Spot): 74 ft  
 Raw Lumens: 2190  
 Pod Size: 3.7in Round x 3.8in Deep

Light Kit: DNL.DR1.10000  
 Light Pod: DNL.DR1.050

Amber Lens Kit: DNL.DR1.10100



### D2 TriOptic™ LED Light Kit

LEDs: (2x) 10 Watt Cree XPL HI  
 Power Draw: 1.6 amps  
 Beam Distance (Spot): 525 ft  
 Beam Width (Spot): 75 ft  
 Raw Lumens: 2190  
 Pod Size: 2.2in Round x 2.4in Deep

Light Kit: DNL.D2.10000  
 Light Pod: DNL.D2.050

Amber Lens Kit: DNL.D2.10100



### DM TriOptic™ LED Light Kit

LEDs: (2x) 10 Watt Cree XPL HI  
 Power Draw: 1.6 amps  
 Beam Distance (Spot): 395 ft  
 Beam Width (Spot): 55 ft  
 Raw Lumens: 2190  
 Pod Size: 1.7in Round x 2.4in Deep

Light Kit: DNL.DM.10000  
 Light Pod: DNL.DM.050

Amber Lens Kit: DNL.DM.10100



## Intelligent Accessory Controller

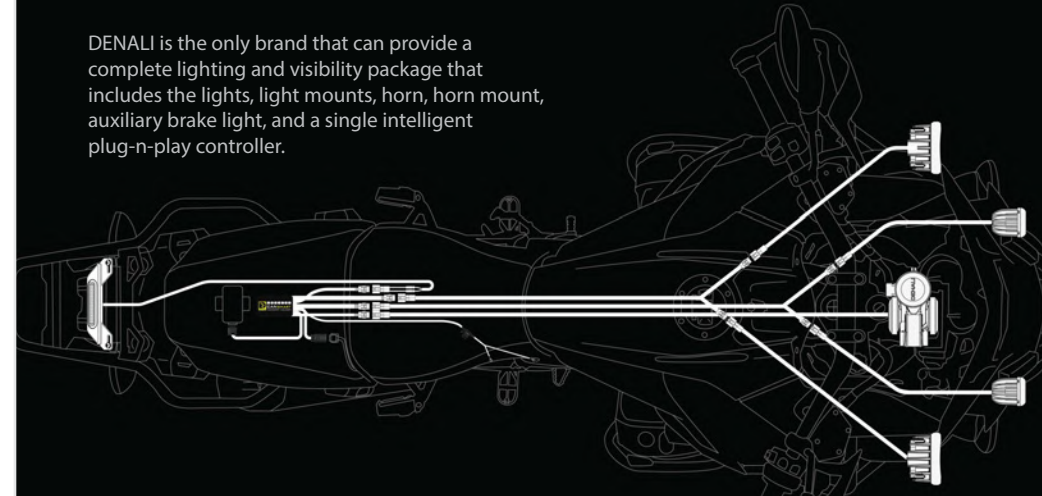
The DENALI CANsmart™ Controller provides plug-n-play installation and integrated control of up to four accessories to enable dozens of customizable settings that can be controlled right from the BMW "Wonder-Wheel" or the CANsmart™ Accessory Manager Software.



### CANsmart™ Controller for BMW

- 4 Electronically Fused Circuits
- 33 Programmable Settings
- Change Settings using Vehicle Controls
- Dim Two Sets of Lights Independently
- Flash to Pass Feature
- Strobe with Horn Feature
- Smart-Brake Auto Brake Light Feature
- Multiple Flash Pattern Braking Features
- True Plug-n-Play Installation
- Free Software for Further Customization

DENALI is the only brand that can provide a complete lighting and visibility package that includes the lights, light mounts, horn, horn mount, auxiliary brake light, and a single intelligent plug-n-play controller.



### 33 Programmable Settings

Download the free Accessory Manager Software to further customize each of the four accessory circuits.

### Model Applications

- R1200 LC Series: DNL.WHS.11600
- K1600 Series: DNL.WHS.11700
- R1200 HEX Series: DNL.WHS.11800
- F800 Series: DNL.WHS.11900



Buy quality motorcycle lighting in our online store.