

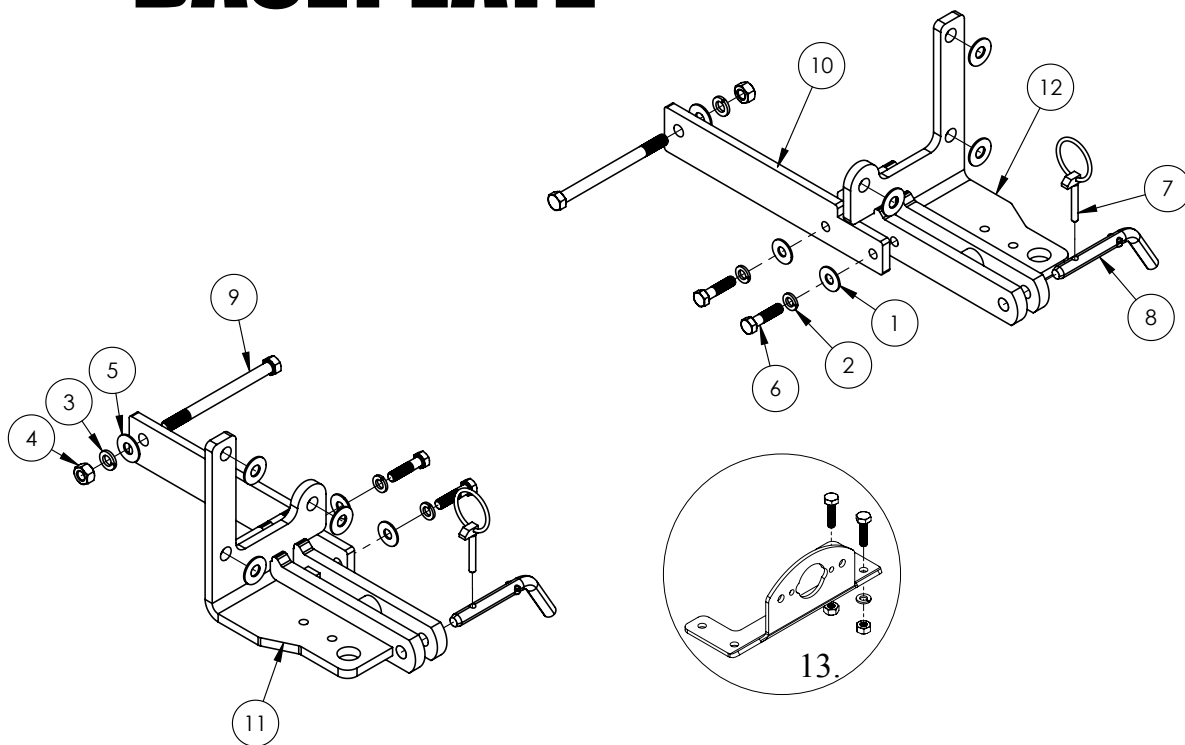
# Demco

Dodge Ram 1500



## BASEPLATE

Pin Height - 19 1/4" Center - 31-3/4"



### 9517235 PARTS LIST

REF. NO.	PART NO.	QTY.	DESCRIPTION
1.	00059	4	3/8" Flat Washer
2.	00060	4	3/8" Lock Washer
3.	00078	2	7/16" Flat Washer
4.	00079	2	7/16" Hex Nut
5.	00205	8	7/16" Flat Washer
6.	00914	4	3/8" x 1-1/2" Hex Bolt Gr.5
7.	02397	2	Lynch Pin
8.	10423-91	2	Attaching Pin
9.	10834	2	7/16" x 5-1/2" Hex Bolt Gr.5
10.	13299-76	2	Rear Brace
11.	13998-76	1	Pull Pod
12.	13999-76	1	Pull Pod
13.	5937	1	Plug Mount Kit
14.	12329	1	Loctite(not shown)
15.	12979	1	Pull Ear Cover(not shown)
16.	12980	1	Pull Ear Cover(not shown)

Please order replacement parts by **PART NO.** and **DESCRIPTION.**

ASSEMBLY  
OPERATION  
REPLACEMENT PARTS

**READ** complete manual *CAREFULLY*  
BEFORE attempting operation.

Doing Our Best to Provide You the Best

**WARNING: FAILURE TO FOLLOW THESE INSTRUCTIONS CAN RESULT IN LOSS OF TOWING VEHICLE CONTROL, SEPARATION OF THE TOW BAR FROM THE TOWING VEHICLE, SEPARATION OF THE TOWED VEHICLE FROM THE TOW BAR, CAUSING SEVERE PERSONAL INJURY, DEATH, OR PROPERTY DAMAGE.**

## CAUTION

Safety is of utmost importance at all times. There are several items that must be checked each time before using and while using a tow bar.

Before allowing anyone to hook up or operate a tow bar, be sure they have read and understand the proper operating procedure.

**DO NOT** use worn or damaged cables and/or pins.

Be sure the **SAFETY CABLES** are hooked, chassis to chassis, to both the towing and towed vehicles using the crisscross method.

Check clearance between vehicles in a turning situation.

Check base plate mounting bolts for tightness and frame for metal fatigue.

Do not load the towed vehicle with anything as you may exceed the towing capacity of the tow bar.

Keep fingers away from pivot points to prevent personal injury.

Be sure the steering components of the towed vehicle are properly aligned.


Demco baseplates are designed for use on factory vehicle suspension setups. Demco baseplates are not recommended for use on modified suspensions lowered or raised. Towing vehicle must be larger and at least 500 lbs. heavier than the towed vehicle and tow bar combined.

**NOTE:** This unit can be backed up in moderate increments. Any severe backwards cornering could result in damage to the Tow Bar and/or towed vehicle chassis.

**For automatic transmissions:** Consult your vehicle owners manual for towing suitability with the drive shaft connected. Otherwise, the towed vehicle will have to be equipped with a transmission pump or drive shaft disconnect.

Check to make sure that all lights are in proper working order.

**The information on towability of vehicles is reprinted with permission of MotorHome® Magazine, and is believed to be reliable. However, Demco does not warrant the information to be correct. Always consult your towed vehicle owner's manual and follow towing instructions. Each year, MotorHome® Magazine, compiles a list of vehicles that can be towed four-down behind a motorhome with no modifications required.**

 **Caution: MotorHome® Magazine** left out any vehicles that have towing speed limits slower than 55 m.p.h., or distance limits of less than 200 miles. At a minimum, these vehicles require significant modification, such as the use of an aftermarket product, to make them towable. The availability of a **Demco Tow Bar Base Plate** does **not** imply that these vehicles can be modified or that there is an aftermarket product available. Refer to your vehicle owner's manual or consult your dealer to determine whether your vehicle can be modified to make it towable. Failure to observe this precaution could result in property damage or personal injury.

## IMPORTANT INSTALLATION ITEMS

DEMCO products and accessories are intended to be installed by professional installers with experience, proper equipment and the ability to do modification work. Installers with these qualifications can be found in RV and Automotive Service Centers.

If the car to be towed has been in an accident, the chassis may be damaged in an area where the Base Plate attaches. It may no longer be suitable for towing. Extreme caution and careful examination are required in such a situation. It is also likely, even from a minor accident, that the hole alignment will be more difficult due to hole alignment problems.

Many DEMCO Base Plates are designed to use existing holes and hardware to mount the Base Plate to the towed vehicle. Even though the bolt is there, however, do not assume it is adequate for mounting the Base Plate. Manufacturers make many changes in hardware both within and between model years. Be sure the bolt is long enough to protrude past the nut a distance no less than 1/2 the diameter of the bolt, after the Base Plate is mounted. The threads should be in good condition. **We require that "LOCTITE® Blue" be used on all bolts.** If a new bolt is required, be sure it is SAE Grade 5 or Metric 8.8.

### NOTE:

**The dimensional variations between otherwise identical vehicles can be considerable. Some minor modifications may have to be made to ensure a proper fit.**

### BOLT TORQUE SPECIFICATIONS

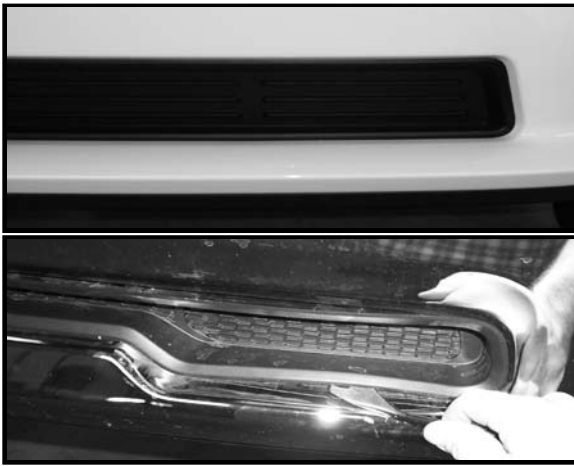
STANDARD BOLTS:			METRIC BOLTS:		
Size	Grade	Torque	Size	Grade	Torque

5/16"	5	18 ft/lbs	8mm	8	23 ft/lbs
3/8"	5	30 ft/lbs	10mm	8	45 ft/lbs
7/16"	5	50 ft/lbs	12mm	8	78 ft/lbs
1/2"	5	75 ft/lbs	14mm	8	125 ft/lbs

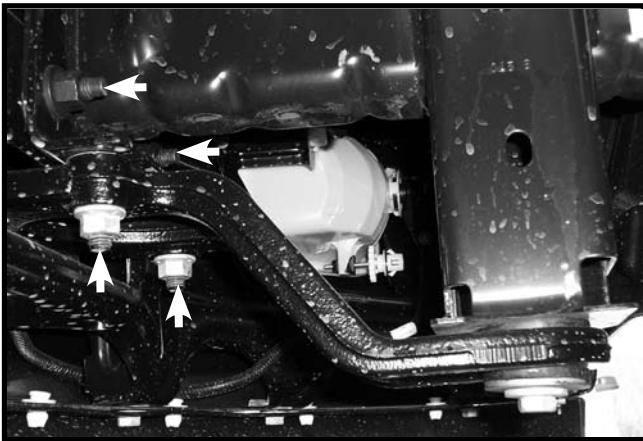
## INSTALLATION INSTRUCTIONS



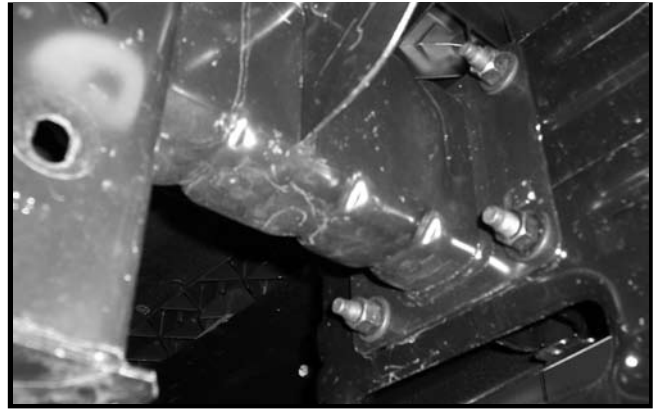
1. Remove Center bumper insert by removing six plastic push fasteners.



2. Gently pry around insert to release tabs on back side.



3. If equipped with tow hooks remove three bolts that hold the hook and remove the three nuts from the bumper and remove brackets. **NOTE:** The hook, brackets and the three bolts will not be reused.



- 3a. If NOT equipped with tow hooks remove three nuts from back of bumper.



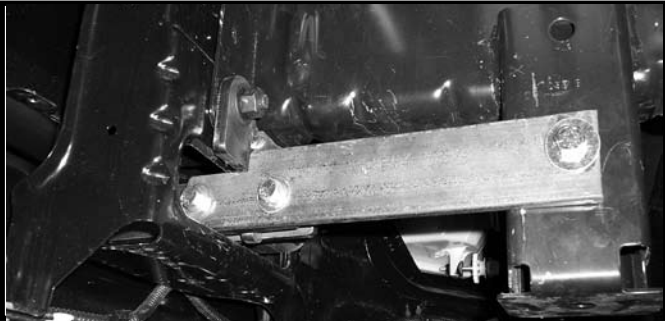
4. Flatten raised tab with a hammer and punch.



5. Place 7/16" flat washers on three stud bolts.



6. Place pull pod on the 3 bolts studs and replace 3 nuts leaving nuts loose Repeat steps 3, 4, 5 and 6 for opposite side.



7. Attach rear brace on back of each pull pod using two 3/8" x 1-1/2" bolts, two 3/8" washer and two 3/8" lock washer connecting it to frame with one 7/16" x 5-1/2" bolt ,one 7/16 lock washer and one 7/16" flat washer and 7/16" nut and tighten all bolts. Use blue **LOCTITE** on bolts and tighten all bolts according to chart on front page.



8. Trim bumper center insert as desired for finished look and reinstall.



9. Plug mount (item #13) may be installed if desired for wiring installation. Location of mount to be determined by the installer.

**NOTE:** Excess material may be trimmed from bracket.

**Demco**