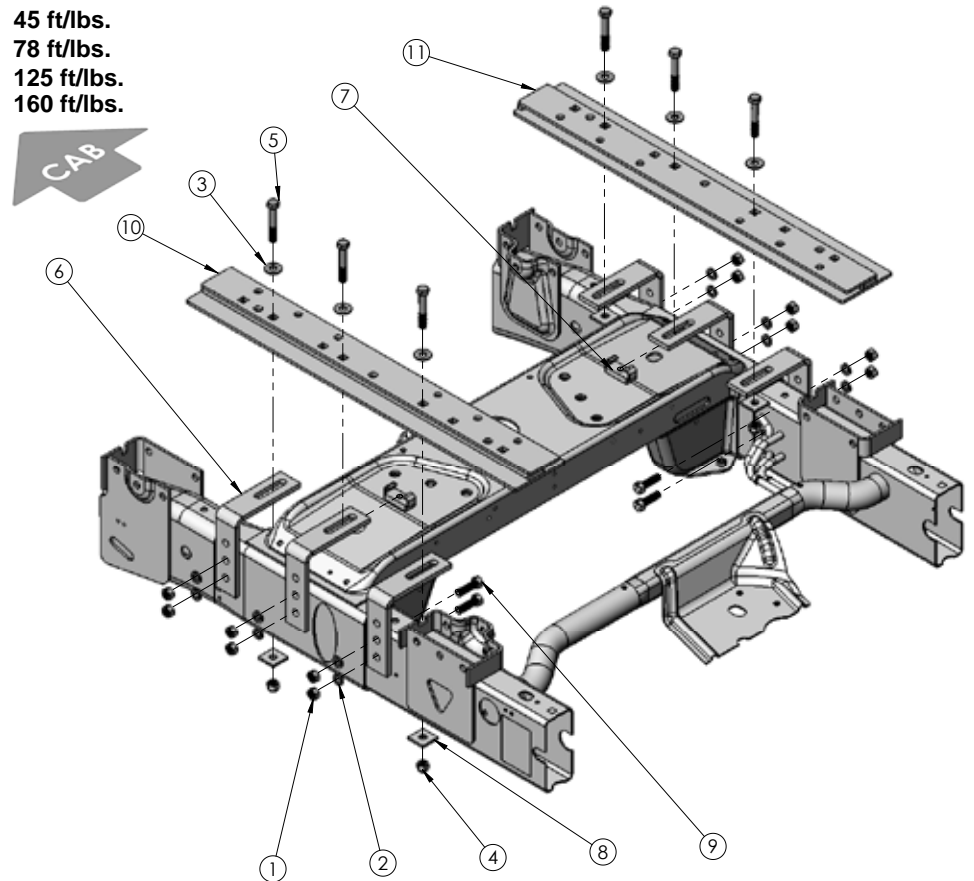


FRAME BRACKET 8553013

Dodge 3500 4x2 & 4x4 (6 1/2' & 8' Box)

BOLT TORQUE SPECIFICATIONS

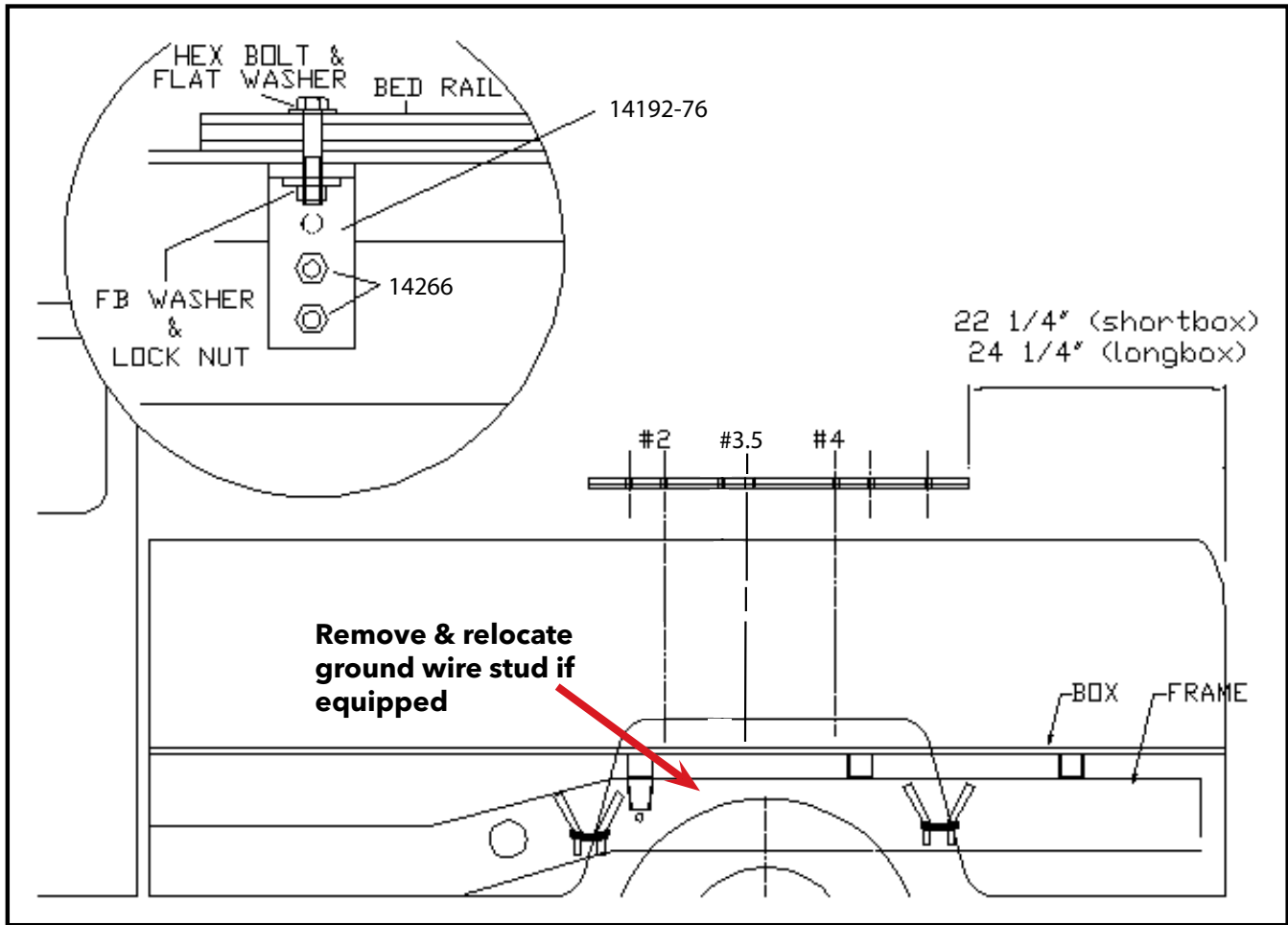
STANDARD BOLTS			METRIC BOLTS		
Size	Grade	Torque	Size	Grade	Torque
5/16"	5	18 ft/lbs.	8mm	8.8	23 ft/lbs.
3/8"	5	30 ft/lbs.	10mm	8.8	45 ft/lbs.
7/16"	5	50 ft/lbs.	12mm	8.8	78 ft/lbs.
1/2"	5	75 ft/lbs.	14mm	8.8	125 ft/lbs.
5/8"	5	150 ft/lbs.	16mm	8.8	160 ft/lbs.
3/4"	5	290 ft/lbs.			



ITEM	PART #	DESCRIPTION	QTY.
1.	00083	1/2" Hex Nut	12
2.	00084	1/2" Lock Washer	12
3.	00085	1/2" Flat Washer	6
4.	02178	1/2" NC Nylon Lock Nut	4
5.	04073	1/2" NC x 3" Hex Bolt Gr.5	6
6.	14192-76	411D Frame Bracket	6
7.	14193-76	Threaded Slide Block	2
8.	14235-95	Spacer Plate	4
9.	14266	1/2" NC x 1.75" Hex Bolt Knurled Gr.5	12
10.	14142-76	SL Base Rail, Left	1
11.	14141-76	SL Base Rail, Right	1
12.	14238	1/2" Fish Wire (not shown)	1

Please order replacement parts by PART NO. and DESCRIPTION.

INSTALLATION



INSTALLATION

1. a. Completely assemble hitch. See GENERAL INSTRUCTIONS and SAFETY supplied.
b. Set hitch into back of truck, center it side to side.
c. Measure 22 1/4" (6 1/2' Box) or 24 1/4" (8' Box) from back edge of truck box to back edge of bed rail.
2. Check underneath box at bolt hole locations for any obstructions (frame members, etc.).
3. a. Drill two 17/32" holes thru HOLE #2, each bed rail.
b. Insert two 1/2" x 3" (04073) long hex bolts.
c. Slide hitch to rear position, to parallel bed rails.
d. Drill thru HOLES #3.5 and #4, each bed rail. Insert four 1/2" x 3" hex bolts (04073).
4. a. Under box, place (14192-76) frame brackets onto hex bolts (six places).
b. Loosely install frame washer (14235-95), 1/2" flat washer (00085), and 1/2" Nylon lock nut (02178). Use threaded slider block (14193) on center brackets in position 3.5.
c. Press each bracket tight against frame member, tighten nuts snug against box.
5. a. Pilot drill* and drill 1/2" hole into truck frame, at two places thru holes in each frame bracket -- BE CAREFUL OF ELECTRIC OR FLUID LINES behind frame members.
b. Brackets will be bolted onto frame by drilling frame and fishing knurl bolt (14266) through frame with fish wire (14238) and attach with hex nut (00083) and lock washer (00084) on outside of bracket.
c. **TIGHTEN ALL BOLTS ACCORDING TO CHART ON FRONT PAGE.**

* To pilot drill: Use 1/2" drill bit or transfer punch to mark center. Drill thru with 1/4" drill.

