



Dodge 2500 4x2 & 4x4  
includes Mega Cab  
6 1/2' & 8' Boxes

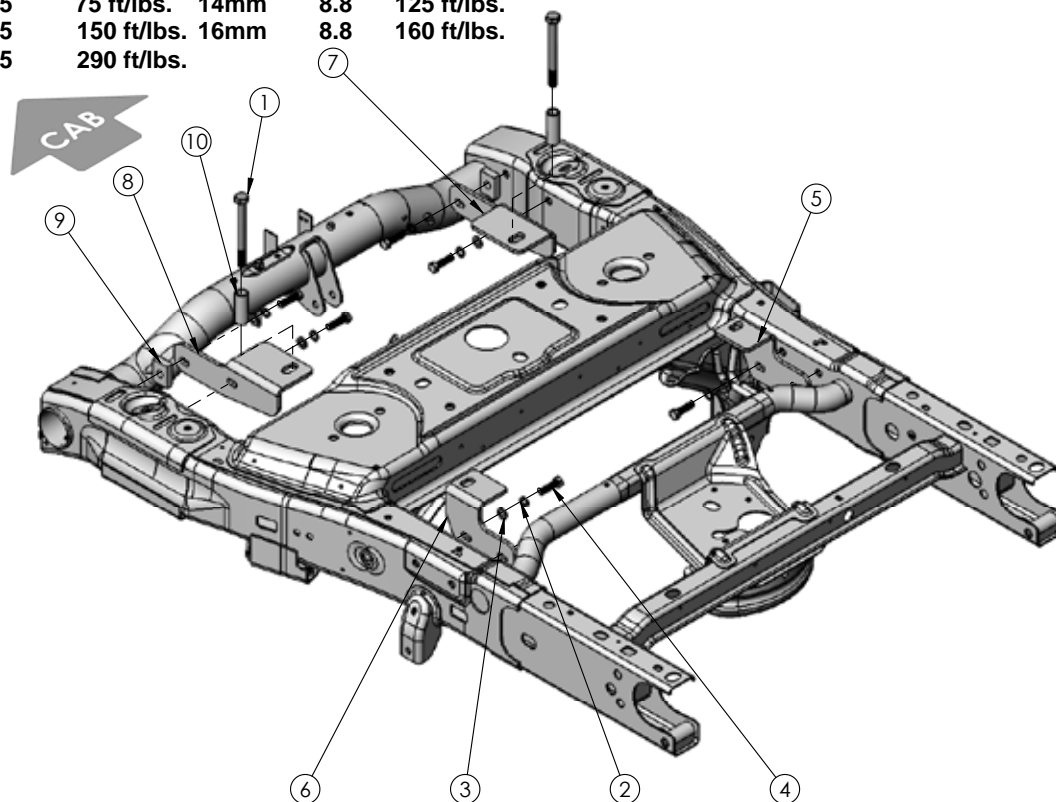
6/17  
HJ32025, Rev 4



**BOLT TORQUE SPECIFICATIONS**

STANDARD BOLTS			METRIC BOLTS		
Size	Grade	Torque	Size	Grade	Torque
5/16"	5	18 ft/lbs.	8mm	8.8	23 ft/lbs.
3/8"	5	30 ft/lbs.	10mm	8.8	45 ft/lbs.
7/16"	5	50 ft/lbs.	12mm	8.8	78 ft/lbs.
1/2"	5	75 ft/lbs.	14mm	8.8	125 ft/lbs.
5/8"	5	150 ft/lbs.	16mm	8.8	160 ft/lbs.
3/4"	5	290 ft/lbs.			

# FRAME BRACKET



**8552025 PARTS LIST**

ITEM	PART #	DESCRIPTION	QTY.
1.	<b>01962</b>	5/8" NC x 6" Bolt Hex Gr.5	2
-	<b>14891</b>	5/8" NC x 6" Carriage Bolt	2
2.	<b>07288</b>	12mm Lock Washer	8
3.	<b>07432</b>	12mm Flat Washer	8
4.	<b>14854</b>	12mm - 1.5 x 45mm Hex Bolt Gr.8.8	8
5.	<b>14855-76</b>	Rear Bracket Passenger Side	1
6.	<b>14856-76</b>	Rear Bracket Driver Side	1
7.	<b>14857-76</b>	Front Bracket Passenger Side	1
8.	<b>14858-76</b>	Front Bracket Driver Side	1
9.	<b>14859-95</b>	Spacer Block	2
10.	<b>14860-95</b>	Bushing	2

Please order replacement parts by **PART NO.** and **DESCRIPTION.**

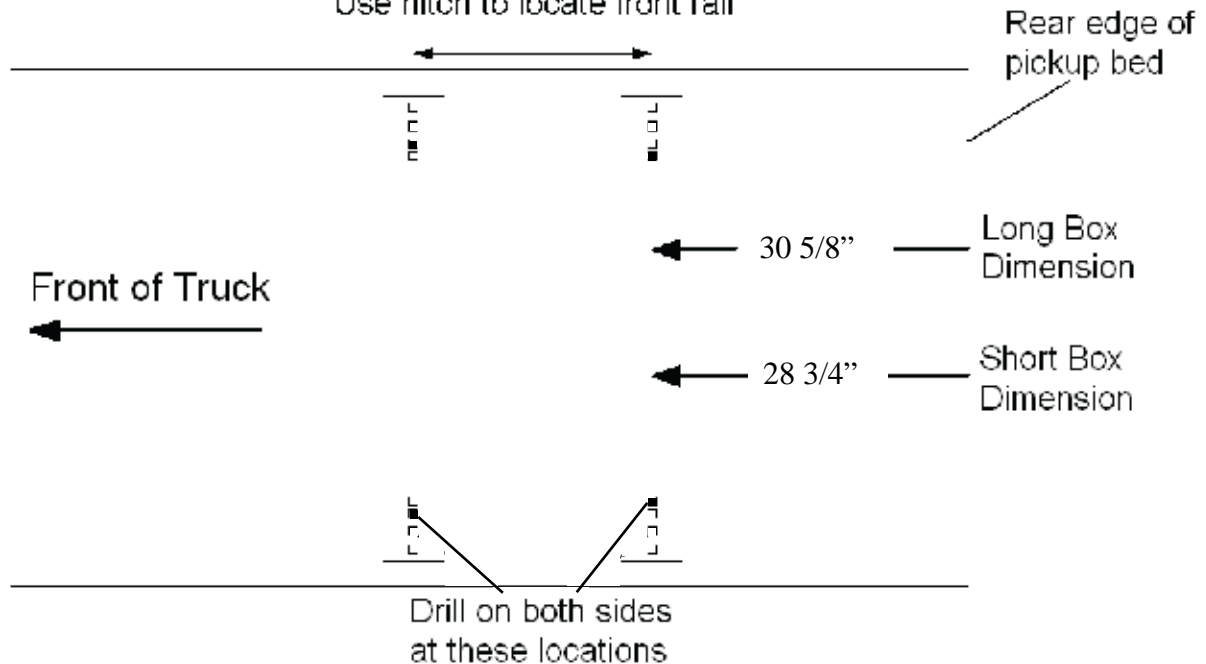
ASSEMBLY  
OPERATION  
REPLACEMENT PARTS

**READ** complete manual *CAREFULLY*  
*BEFORE* attempting operation.

Doing Our Best to Provide You the Best

# ILLUSTRATION 1

Use hitch to locate front rail



## INSTALLATION

1. a. Completely assemble hitch. See GENERAL INSTRUCTIONS and SAFETY supplied.  
b. Set hitch into back of truck, center it side to side.  
c. Measure 28 3/4" (short box) or 30 5/8" (long box) from back edge of truck box to square hole centers in rear bed rail.
2. Check underneath box at bolt hole locations for any obstructions (frame members, etc.).
3. a. Drill two 5/8" holes thru FRONT BED RAIL, 3rd HOLE POSITION, as shown.  
b. Insert two 5/8" x 6" (01962) long hex bolts.  
c. Drill two 5/8" holes thru REAR BED RAIL, INSIDE HOLE POSITION. Insert 5/8" x 3" bolts supplied in rail kit.  
d. Remove front rail bolts and drill a 1" hole through the bottom of the box support hat on each side for bushing to pass through for front mounting brackets. Place front rail bolts back in to rail.
4. a. Under box, loosely install frame brackets and nuts onto bolts and make sure to place bushings (14860) into hat for front brackets. NOTE: On drivers front bracket unclip wires/hoses from inside of frame to allow bracket to fit flush to frame. Brackets mounted on inside of frame.  
b. Press each bracket tight against inside of frame member and using 12MM bolts fasten each bracket to frame using factory threaded hole in the frame. NOTE: On front brackets make sure to insert spacer block (14859) between frame and bracket on front hole location.  
c. TIGHTEN ALL BOLTS ACCORDING TO CHART ON FRONT PAGE.

*Demco*