

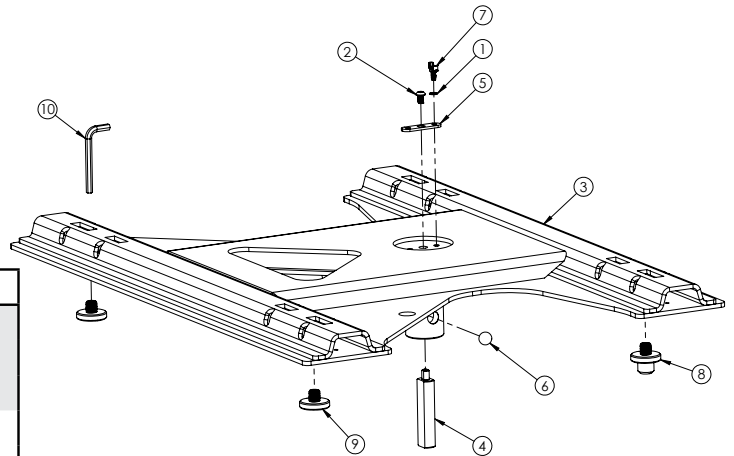
CHEVY/GMC RAIL ADAPTOR

6194 - 6 1/2' Box or 6206 - 8' Box

6194 PARTS LIST

ITEM	PART #	QTY	DESCRIPTION
1	05695	1	WASHER INTERNAL TOOTH LOCK .25
2	13561	1	SCREW, BUTTON SOCKET HD, .313NC X .5 SS
3	15897-76	1	CHEVY PREP UL FRAME 6.5' BOX
4	15898-95	1	LOCKING TURN ROD
5	15899-95	1	LOCKING TURN PLATE
6	15900	2	STELL BALL .75
7	15901	1	SCREW .25NC X .50 WING HD THUMB
8	16658-95	2	ADAPTOR FOOT W/ STUD
9	16659-95	2	ADAPTOR FOOT
10	16660	1	WRENCH HEX .3125

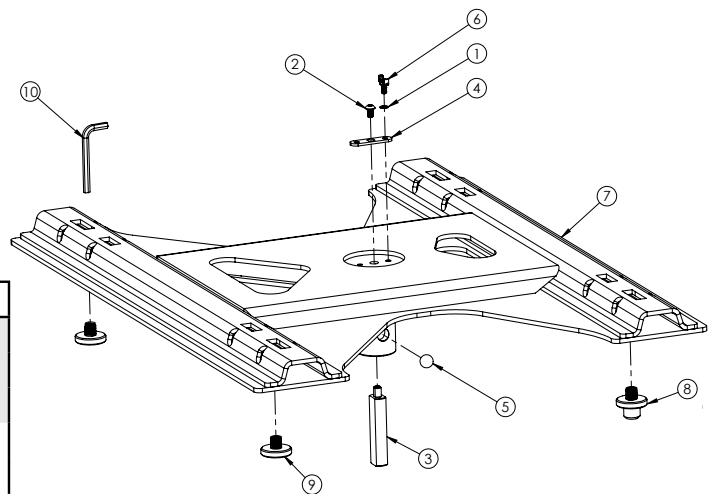
Please order replacement parts by PART NO. and DESCRIPTION.



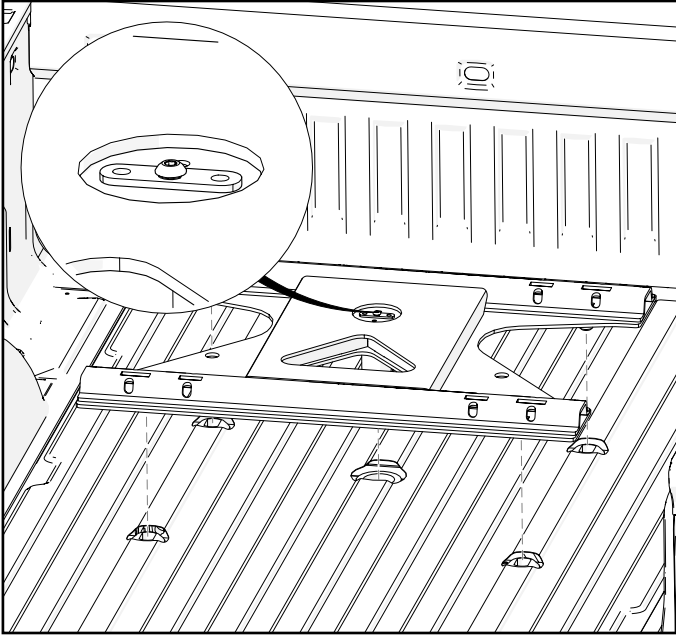
6206 PARTS LIST

ITEM	PART #	QTY	DESCRIPTION
1	05695	1	WASHER INTERNAL TOOTH LOCK .25
2	13561	1	SCREW, BUTTON SOCKET HD, .313NC X .5 SS
3	15898-95	1	LOCKING TURN ROD
4	15899-95	1	LOCKING TURN PLATE
5	15900	2	STELL BALL .75
6	15901	1	SCREW .25NC X .50 WING HD THUMB
7	15967-76	1	CHEVY PREP UL FRAME 8' BOX
8	16658-95	2	ADAPTOR FOOT W/ STUD
9	16659-95	2	ADAPTOR FOOT
10	16660	1	WRENCH HEX .3125

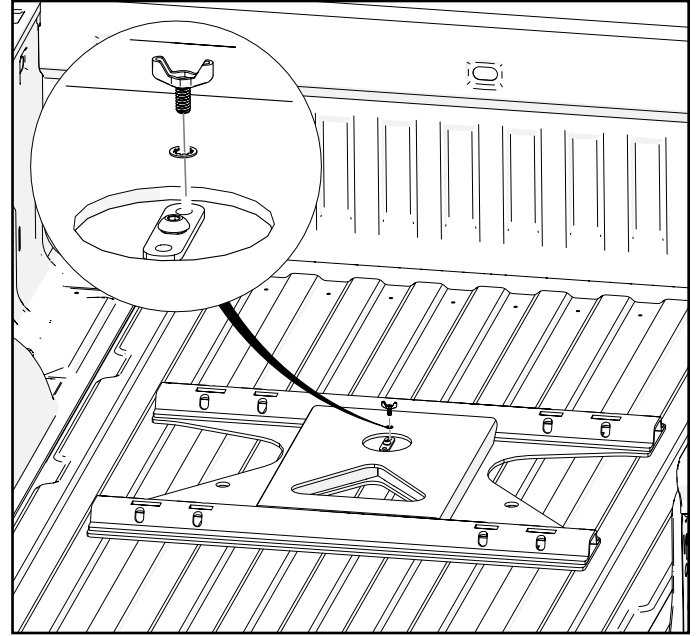
Please order replacement parts by PART NO. and DESCRIPTION.



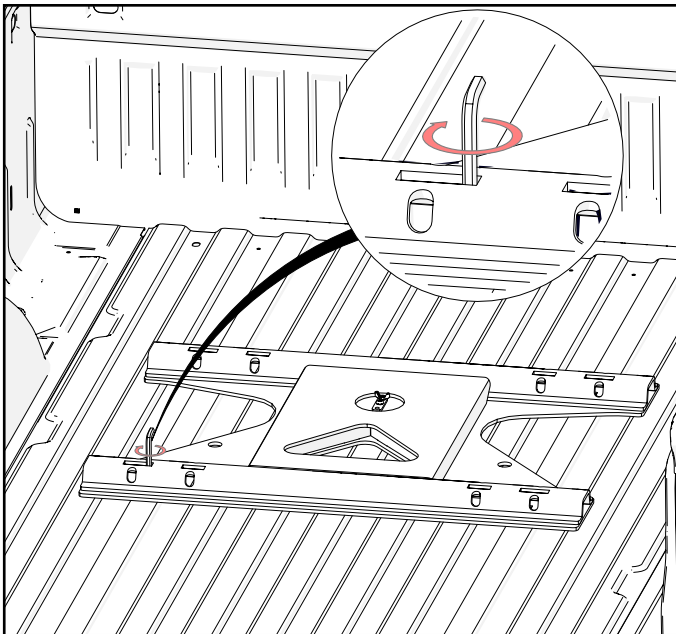
Installation Instructions



1. To install the adapter, remove the bed puck covers if installed. Turn locking turn plate so it is facing side to side as shown.



2. Lower frame adaptor into the factory pucks. Make sure the frame is fully placed into the pucks. Turn locking turn plate 1/4 turn so it is facing front to back and the locking holes line up. Install and tighten 1/4" internal tooth lock washer and 1/4" thumb bolt to secure locking turn plate into place. Lift up on frame to make sure it is securely fastened.



3. Used the hex wrench to adjust the four pads/feet to remove any play/rocking from hitch adapter. Reverse steps to remove.

DEMCO

