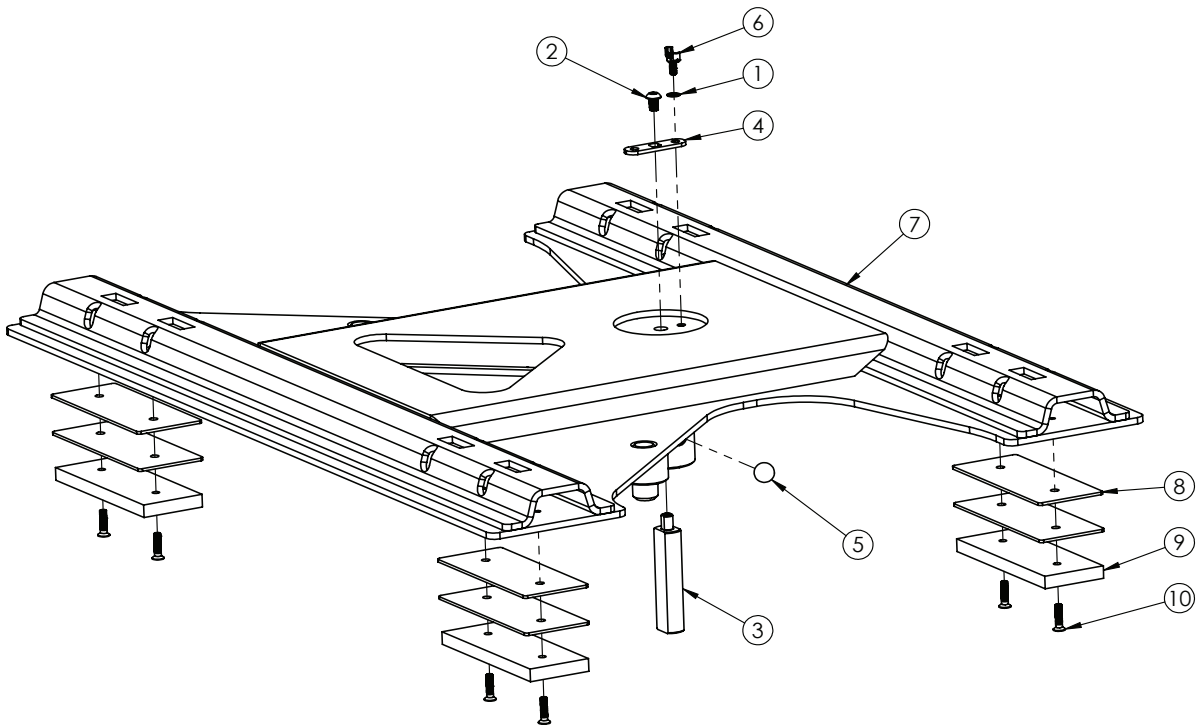




Nissan Titan UL Rail Adapter



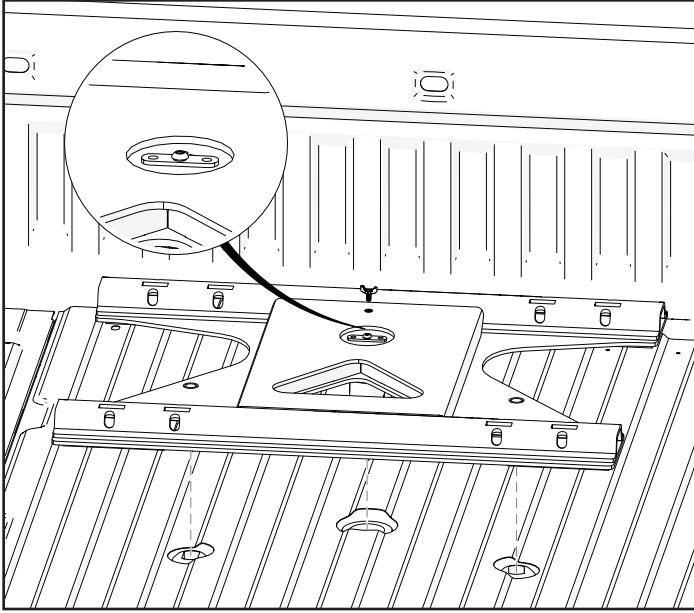
6200 PARTS LIST

ITEM	PART #	QTY	DESCRIPTION
1	05695	1	WASHER INTERNAL TOOTH LOCK .25
2	13561	1	SCREW, BUTTON SOCKET HD, .313NC X .5 SS
3	15898-95	1	LOCKING TURN ROD
4	15899-95	1	LOCKING TURN PLATE
5	15900	2	STEEL BALL .75
6	15901	1	SCREW .25NC X .50 WING HD THUMB
7	15926-76	1	NISSAN PREP UL FRAME
8	16221-76	8	SPACER
9	16222	4	WEAR PAD
10	16233	8	SCREW, .25NC X 1.00 FLAT HD PHIL

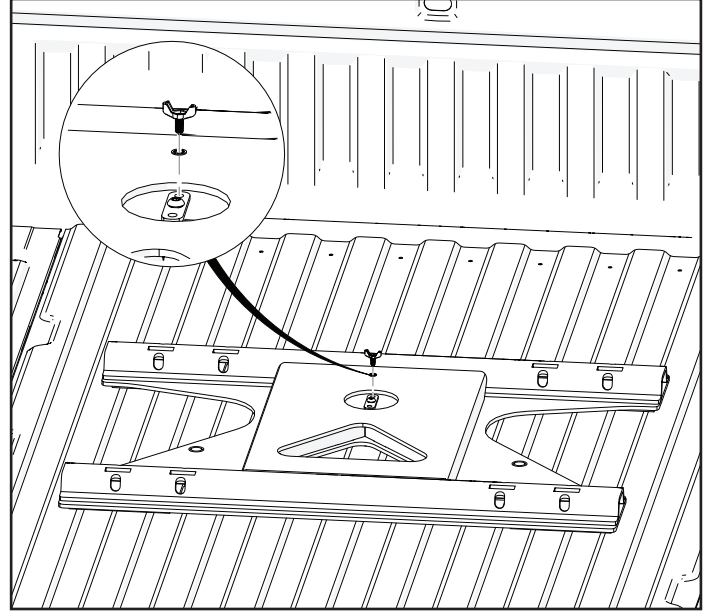
Please order replacement parts by **PART NO.** and **DESCRIPTION.**

READ *complete manual CAREFULLY
BEFORE attempting operation.*

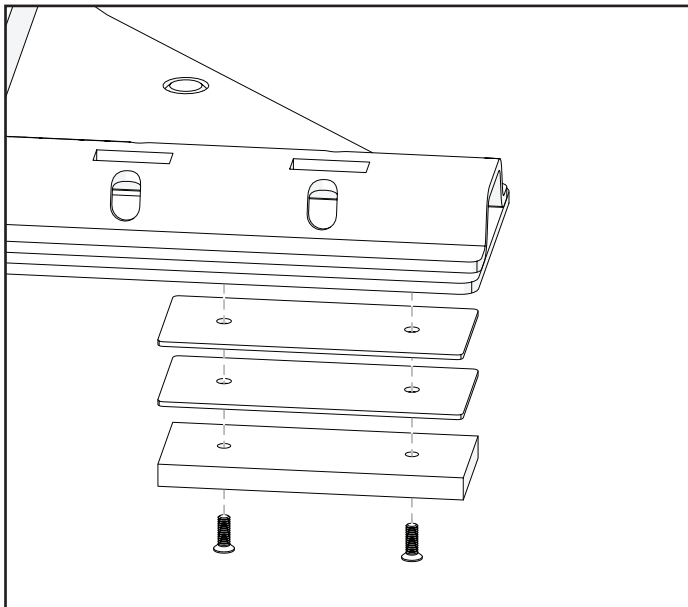
Installation Instructions



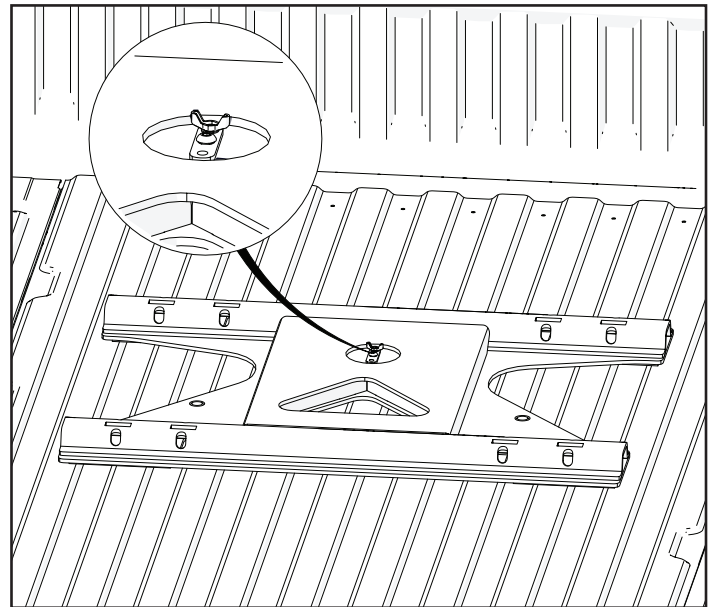
1. To install the adapter, remove the bed puck covers if installed. Turn locking turn plate so it is facing side to side as shown.



2. Lower frame adaptor into the factory pucks. Make sure the frame is fully placed into the pucks. Turn locking turn plate 1/4 turn so it is facing front to back and the locking holes line up.



3. If locking plate will not turn, that means the hitch can't go down far enough to lock. Remove the two screws from the four pads and remove one or two spacers between the plastic foot pads and reinstall frame until turn plate can turn into the locked position.



4. Install and tighten 1/4" internal tooth lock washer and 1/4" thumb bolt to secure locking turn plate into place. Lift up on frame to make sure it is securely fastened. Reverse steps to remove.