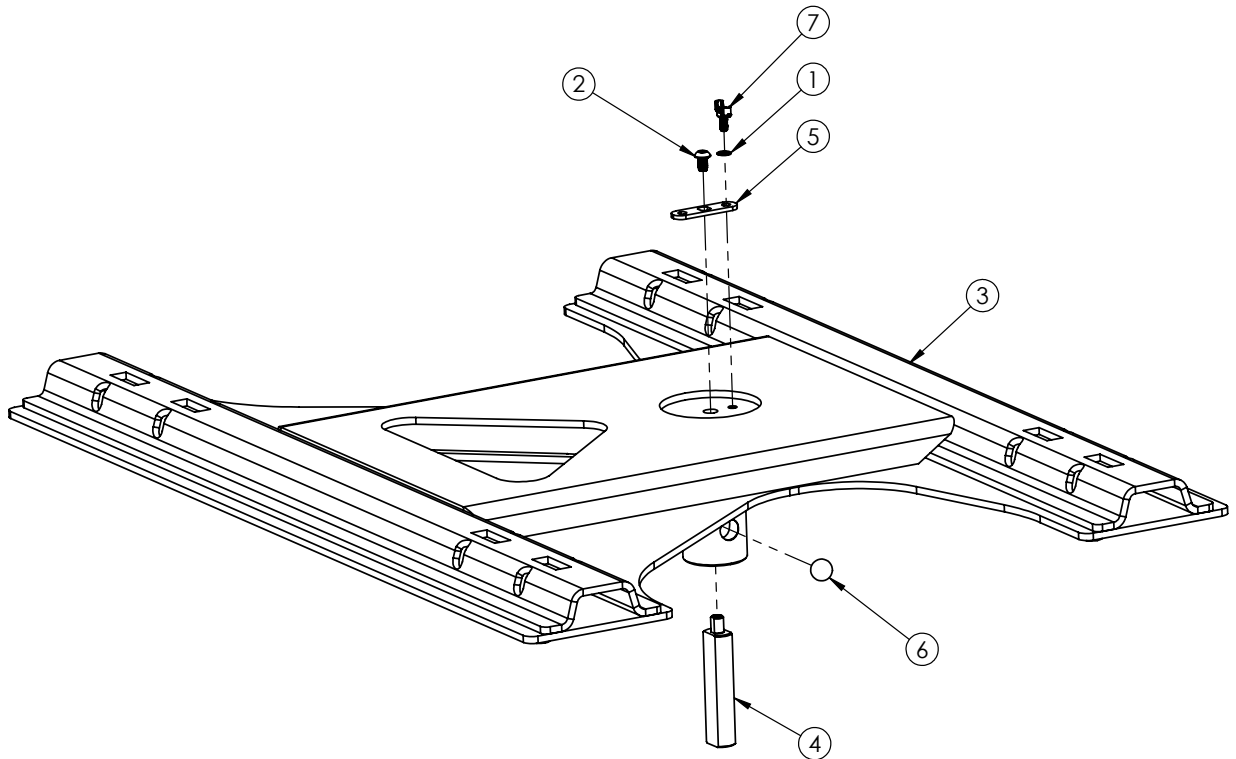




Chevy /GMC UL Rail Adapter for 6-1/2' Box



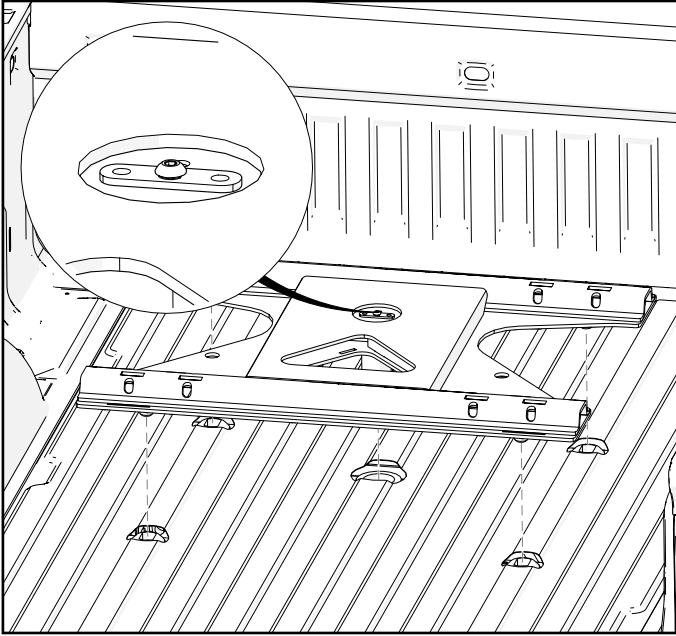
6194 PARTS LIST

| ITEM | PART # | QTY | DESCRIPTION |
|------|----------|-----|---|
| 1 | 05695 | 1 | WASHER INTERNAL TOOTH LOCK .25 |
| 2 | 13561 | 1 | SCREW, BUTTON SOCKET HD, .313NC X .5 SS |
| 3 | 15897-76 | 1 | CHEVY/GMC PREP UL FRAME |
| 4 | 15898-95 | 1 | LOCKING TURN ROD |
| 5 | 15899-95 | 1 | LOCKING TURN PLATE |
| 6 | 15900 | 2 | STEEL BALL .75 |
| 7 | 15901 | 1 | SCREW .25NC X .50 WING HD THUMB |

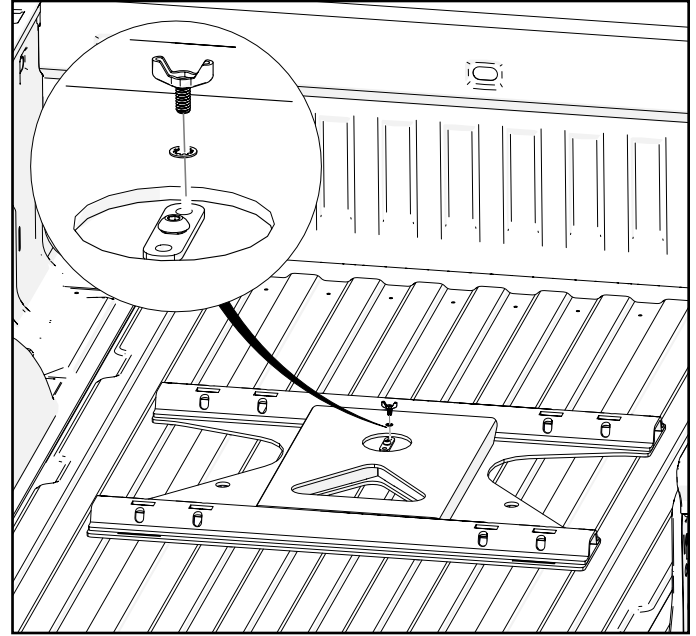
Please order replacement parts by **PART NO.** and **DESCRIPTION.**

READ *complete manual CAREFULLY
BEFORE attempting operation.*

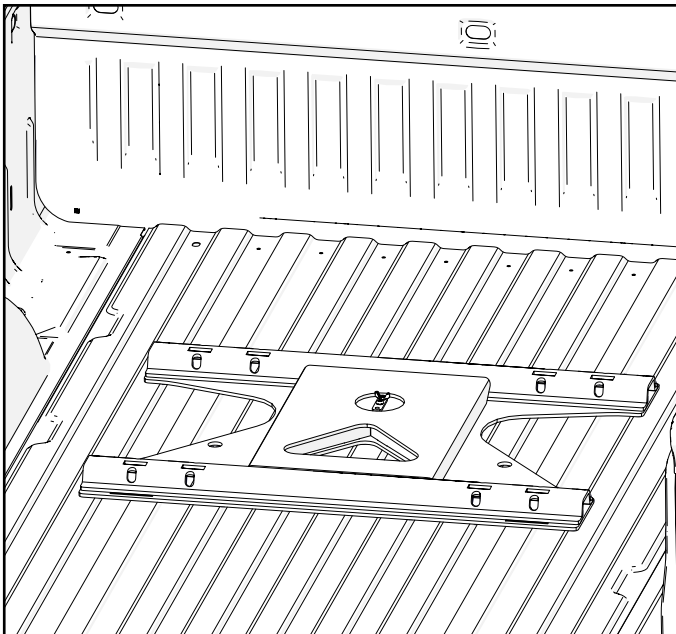
Installation Instructions



1. To install the adapter, remove the bed puck covers if installed. Turn locking turn plate so it is facing side to side as shown.



2. Lower frame adaptor into the factory pucks. Make sure the frame is fully placed into the pucks. Turn locking turn plate 1/4 turn so it is facing front to back and the locking holes line up.



3. Install and tighten 1/4" internal tooth lock washer and 1/4" thumb bolt to secure locking turn plate into place. Lift up on frame to make sure it is securely fastened. Reverse steps to remove.