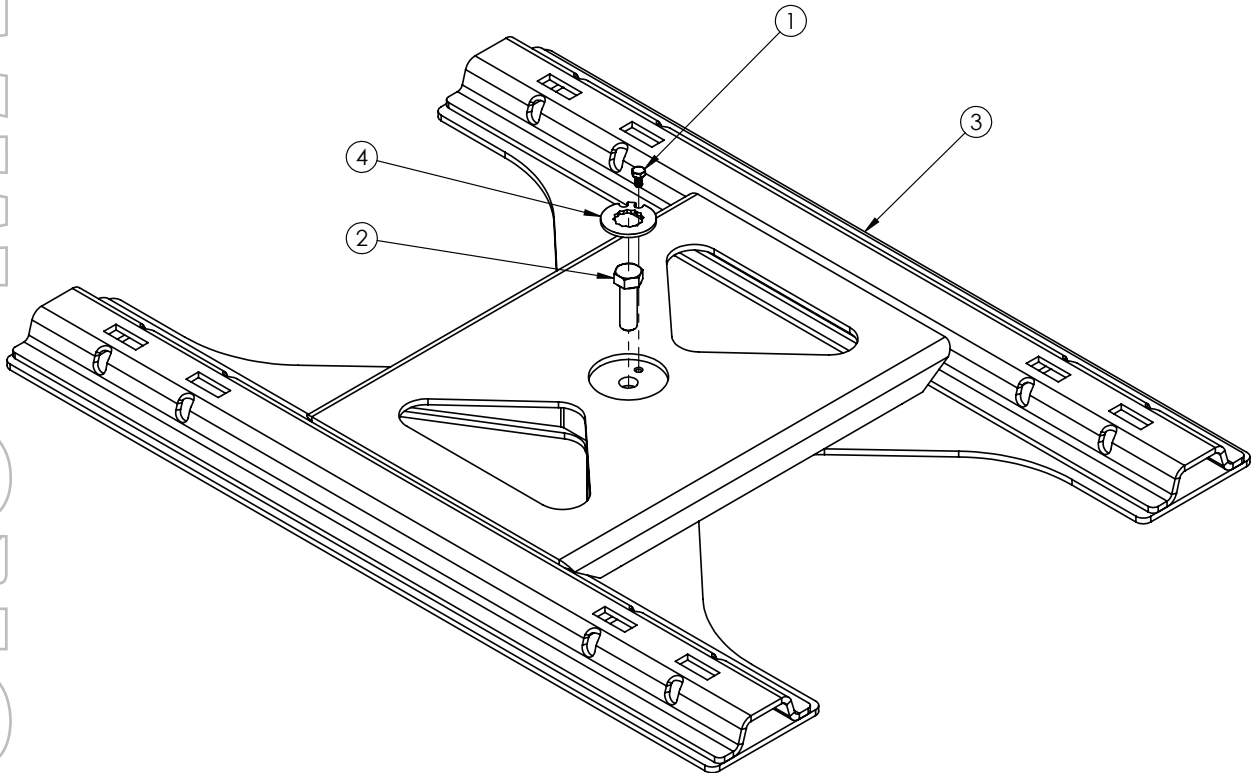




B&W UL Rail Adapter



6140 PARTS LIST

REF. NO.	PART NO.	QTY.	DESCRIPTION
1.	00092	1	Bolt 1/4"NC X 1/2" GR5 Hex
2.	00290	1	Bolt 5/8"NC X 2" GR5 Hex
3.	15384-76	1	B & W UL Frame
4.	15385-76	1	Bolt Lock Plate

Please order replacement parts by PART NO. and DESCRIPTION.

READ *complete manual CAREFULLY
BEFORE attempting operation.*



1. To install the adapter, lay a straight edge on top of the truck bed and measure from the straight edge to the top of cross pin.



2. Adjust the top bolt so the top of the bushing measures approximately 1/16" less than the measurement from the straight edge to pin. Pull the B&W pin and install adapter into the socket. Allow the B&W hitch pin to slide back into place. If pin is not fully going back into place, the adapter may need to be adjusted.



3. Once the B&W hitch pin fully returns into the adapter, tighten the top bolt to 20-25 ft lbs. and use the bolt retainer with 1/4" bolt to hold bolt into place as shown.

Important:

We **DO NOT** recommend the use of an auto sliding hitch to be used with the B&W UL rail hitch adapter.