

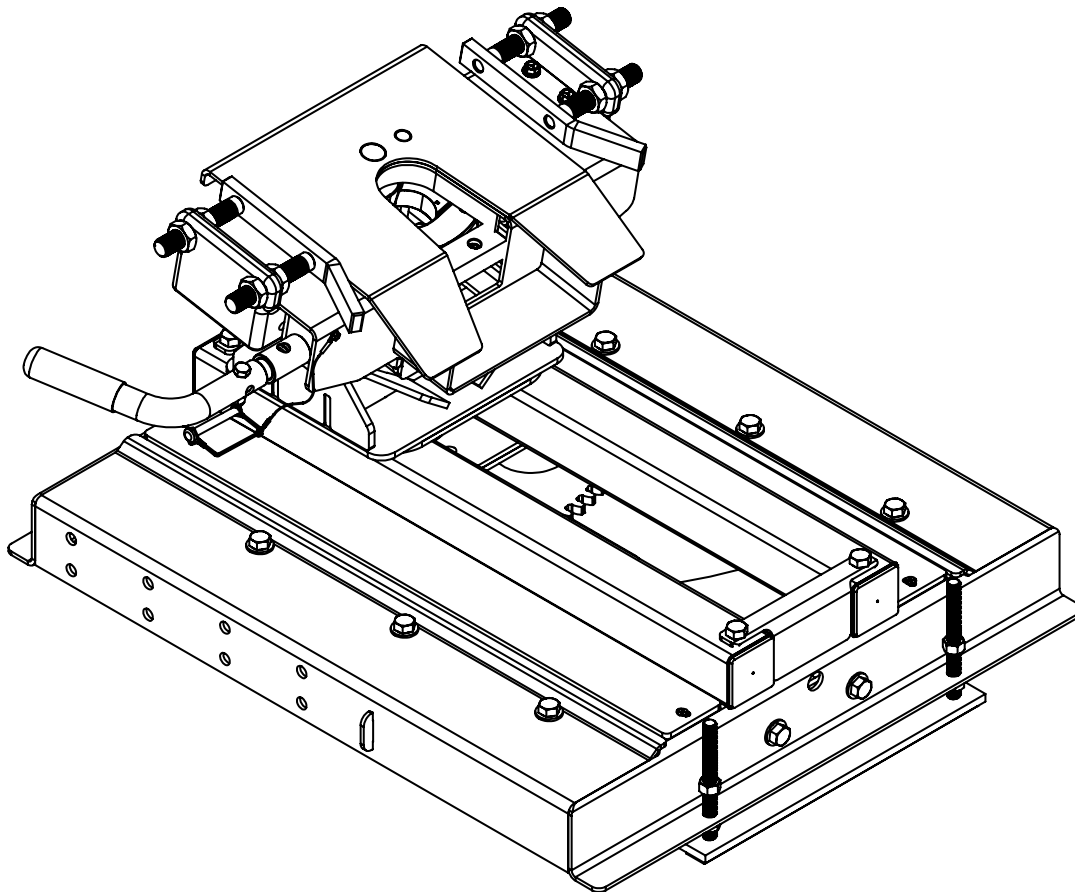


*Doing Our Best to Provide You the Best*

HJ26077, Rev 16  
07/18

## 5TH WHEEL HITCH

6077 18K Autoslide & 6107 21K Autoslide



US Pat. 7,506,886  
US Pat. 7,753,392  
CA Pat. 2,576,427  
AS Pat. 2007200421

**OPERATOR MANUAL**

**Please consult vehicle owner's manual for 5th wheel towing instructions.**

### **VERY IMPORTANT - PLEASE READ CAREFULLY**

The 5th wheel Autoslide hitch was designed for use with recreational style 5th wheel trailers with a 2" king pin only. It is not designed or intended for commercial, industrial, or agricultural type towing applications or similar type applications (i.e.- car trailer, flat bed, horse, etc.).

This hitch is designed for use with short box trucks. There is no expressed or implied guarantee that a full turn can or will be achieved with the Autoslide hitch.

It is designed to work with standard trailer pin boxes between 12" minimum to 14" maximum width. Optional adapter plates are required for most suspension pin boxes.

Any use of the Autoslide hitch, other than its intended use, may void any manufacturer's warranty(s), expressed or otherwise.

The Autoslide automatic sliding hitch is designed for short box trucks to give additional clearance between the truck's cab and the trailer during turning maneuvers. This hitch may allow 90° turns, but NOT IN EVERY CASE.

There are many variables that can influence the ability to make a full 90° turn, such as trailer width, sharp or rounded trailer corners, truck cab profile. The placement of the trailer king pin box also has a part in determining the turning ability of the truck and trailer. It is always recommended, even with an automatic sliding hitch, that the trailer be equipped with an extended pin box that projects out forward from the trailer.

Caution should always be exercised when using this or any hitch to ensure that the driver is aware of clearance between the truck and trailer when executing turning maneuvers.

### **VERY IMPORTANT - PLEASE READ CAREFULLY**

The Demco 5th wheel Autoslide hitch comes assembled from the factory to help make the installation easier and quicker. The only prep work necessary is to bolt on the side plates. There are two different mounting systems for the Autoslide hitch. It can be mounted on either the Premier/UL base rails or the UMS (Underbed Mounting System) base rails. Once the mounting system has been determined there is a side rail kit available for either.

For the Premier/UL mounting system the 6003 adaptor side plate kit (shown below) will be used and for the UMS mounting system the 6004 adaptor side plate kit will be used. Instructions to install both types are included in the carton with the adaptor plates as well as with these instructions.

Also included with these instructions is a procedure for adjusting the king pin capture plates. This is the most critical procedure that needs to be done in order to ensure the proper and safe use of the hitch. Please read and follow the instructions on how to adjust them VERY CAREFULLY. These instructions also include the procedure for replacing the slide disc(s) if necessary (shown below). The Autoslide 5th wheel hitch comes with a limited five year warranty that covers most parts and labor. The slide disc is warranted for a period of one year as it is considered a consumable part.

### **CRITICALLY IMPORTANT**

Capture plates must be adjusted to the width of the trailer pin box in order for the automatic slide mechanism to operate and function properly. Failure to do so can result in improper alignment and may cause damage to the hitch and/or trailer. It is best to measure the pin box width first and adjust the plates evenly on either side to 1/8" over the total width of the pin box. This adjustment is made only once at time of initial hookup, or if a trailer with a different width pin box is towed.

 **Torque Specifications**

**BOLT TORQUE DATA FOR STANDARD NUTS, BOLTS, AND CAP-SCREWS.**

Tighten all bolts to torques specified in chart unless otherwise noted. Check tightness of bolts periodically, using bolt chart as guide. Replace hardware with same grade bolt.

NOTE: Unless otherwise specified, high-strength Grade 5 hex bolts are used throughout assembly of equipment.

Torque figures indicated are valid for non-greased or non-oiled threads and heads unless otherwise specified. Therefore, do not grease or oil bolts or capscrews unless otherwise specified in this manual. When using locking elements, increase torque values by 5%.

\* GRADE or CLASS value for bolts and capscrews are identified by their head markings.

**Bolt Torque for Standard bolts \***

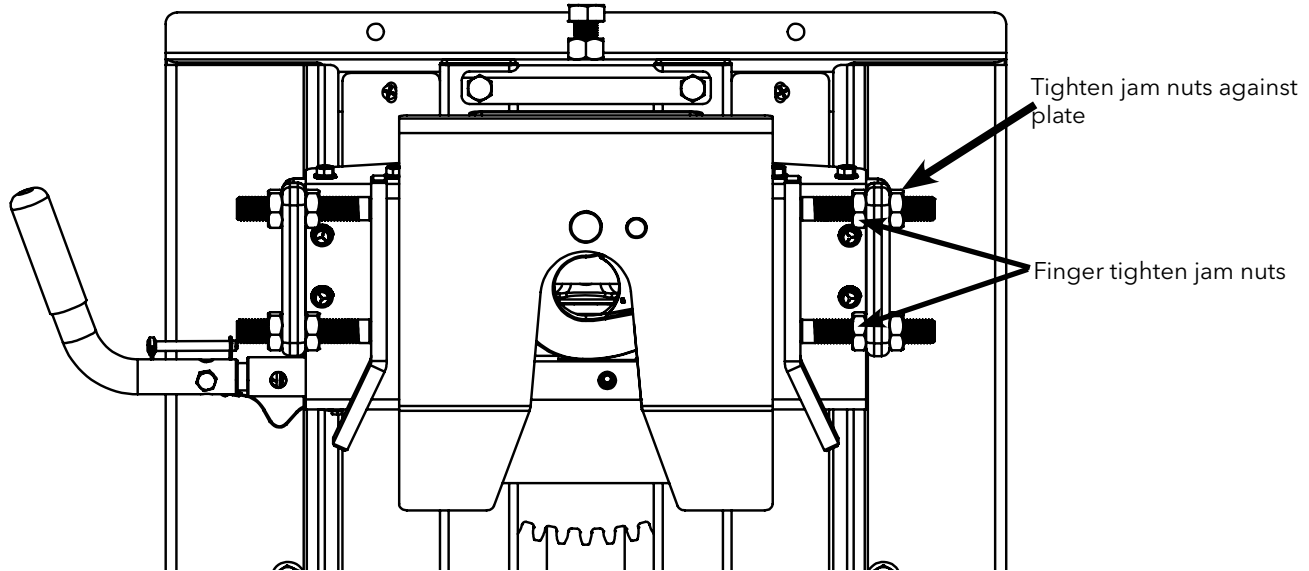
"A"	GRADE 2		GRADE 5		GRADE 8	
	lb-ft	(N.m)	lb-ft	(N.m)	lb-ft	(N.m)
1/4"	6	(8)	9	(12)	12	(16)
5/16"	10	(13)	18	(25)	25	(35)
3/8"	20	(27)	30	(40)	45	(60)
7/16"	30	(40)	50	(70)	80	(110)
1/2"	45	(60)	75	(100)	115	(155)
9/16"	70	(95)	115	(155)	165	(220)
5/8"	95	(130)	150	(200)	225	(300)
3/4"	165	(225)	290	(390)	400	(540)
7/8"	170	(230)	420	(570)	650	(880)
1"	225	(300)	630	(850)	970	(1310)

**Bolt Torque for Metric bolts \***

"A"	CLASS 8.8		CLASS 9.8		CLASS 10.9	
	lb-ft	(N.m)	lb-ft	(N.m)	lb-ft	(N.m)
6	9	(13)	10	(14)	13	(17)
7	15	(21)	18	(24)	21	(29)
8	23	(31)	25	(34)	31	(42)
10	45	(61)	50	(68)	61	(83)
12	78	(106)	88	(118)	106	(144)
14	125	(169)	140	(189)	170	(230)
16	194	(263)	216	(293)	263	(357)
18	268	(363)	--	--	364	(493)
20	378	(513)	--	--	515	(689)
22	516	(699)	--	--	702	(952)
24	654	(886)	--	--	890	(1206)

## INSTALLATION

1. Measure the width of the pinbox.
2. Adjust the capture plates so they are 1/8" wider than the pinbox. Example: if pin box measures 12" the capture plates should measure 12-1/8". Use center pin to measure from so the capture plates are centered on the head. Final adjustment may be needed.
3. Finger tighten the two inside jam nuts against the capture plate mount.
4. Tightening outside jam nuts against thick mounting plate.

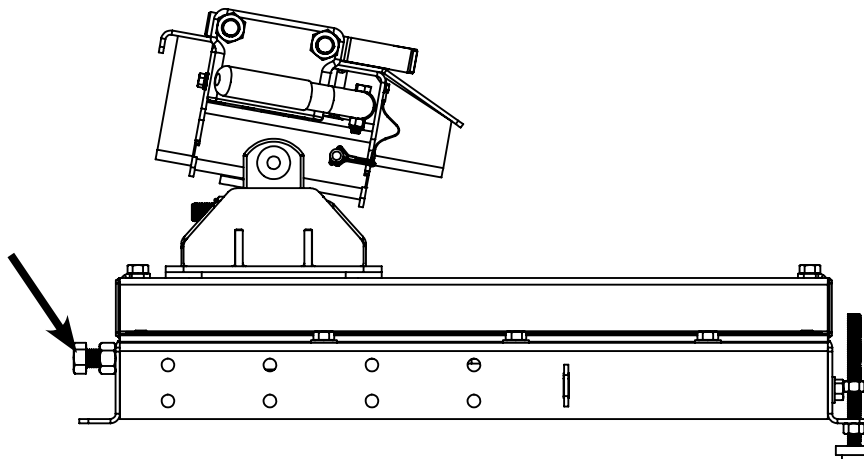


### 5th wheel Autoslide Gear Adjustment Bolt

The gear adjustment bolt is preset at the factory and is not to be adjusted at the time of installation. It only needs to be adjusted if there is too much forward and aft movement in the slide assembly when stopping and starting in the straight towing position. There may be some movement experienced when in a turn but there should be very little when the truck and trailer are in parallel alignment.

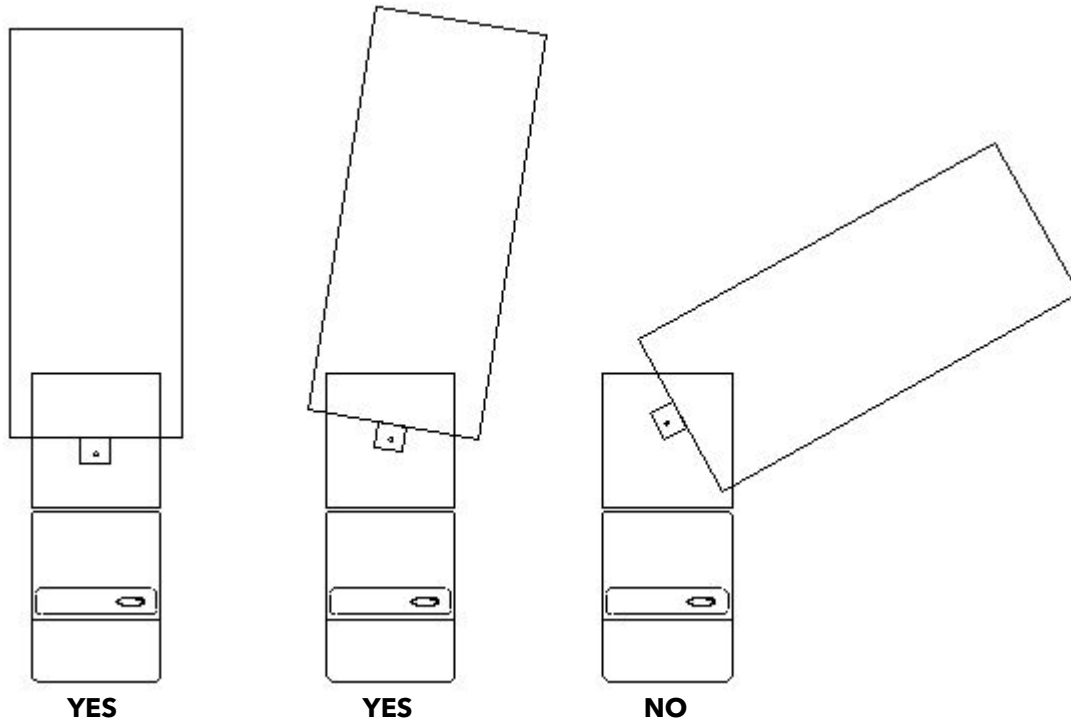
To adjust bolt:

1. Make sure the hitch position is parallel with the truck box and not in a turned position. It should be forward towards the cab of the truck.
2. Using a 1 1/8" wrench, loosen the nut that is tight against the rear end plate.
3. Turn the bolt in clockwise until it stops against the gear.
4. Back the bolt off 1/8 of a turn and retighten the jam nut to lock into position.

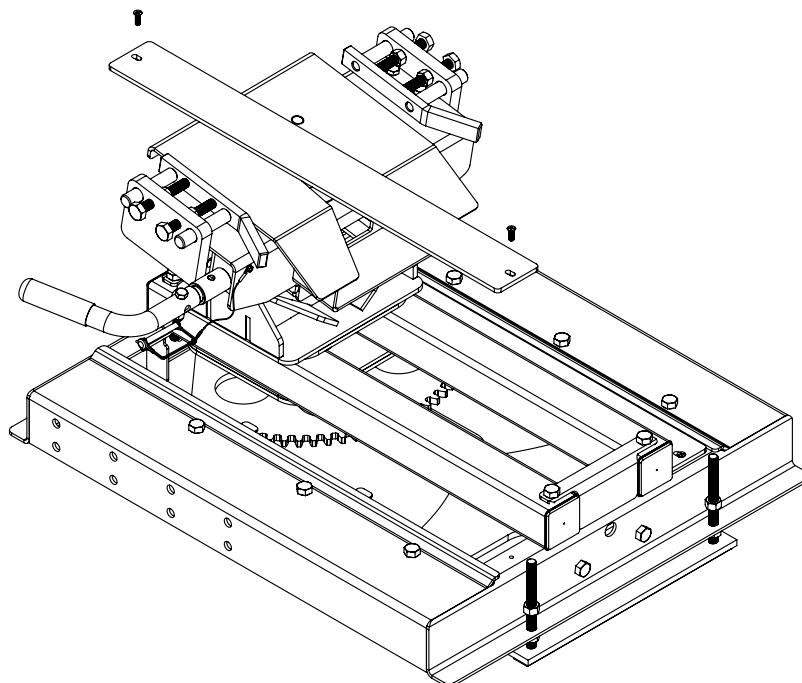


**Coupling Procedure**

Because the Autoslide hitch uses capture plates to maintain the hitch head position in relation to the trailer king pin, the trailer can only be coupled and uncoupled when it is in straight or slightly angled alignment. The Autoslide can couple and uncouple up to a 10-15° trailer angle quite easily. Anything over this degree of angle will not allow for proper coupling.

**Autoslide Inspection and Care**

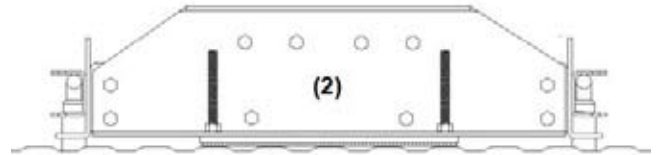
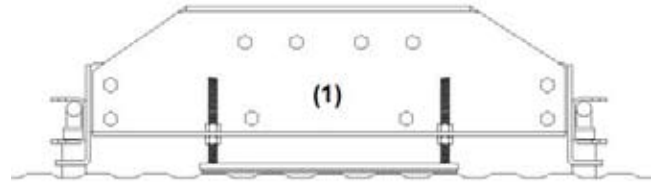
The Autoslide hitch should be inspected before each trip to insure safe operation and travel. Remove the two side gear covers and inspect the gear system for any excessive wear on gear or transition bearing or guide. Light grease may be used on the gear area. Reinstall plastic covers.



# INSTALLATION

## OUTRIGGER ADJUSTMENT

The Autoslide hitch has an outrigger or bar that is designed to help carry and distribute the hitch and trailer weight when the hitch is near its full travel distance. This outrigger needs to be adjusted after the hitch has been installed at its correct height within the truck bed. The outrigger bar and bolts need to be loosely fitted to the end plate of the hitch that is closest to the tailgate of the truck before the installation procedure. If the hitch is to be mounted in the lowest setting with the UMS mounting base rail system, install the outrigger as shown in the very bottom drawing (2), using only 1 nut on the top of the bent flange to secure the outrigger. On all other height settings, install the outrigger as shown in the top drawing (1), using 2 nuts to adjust and lock the bar.

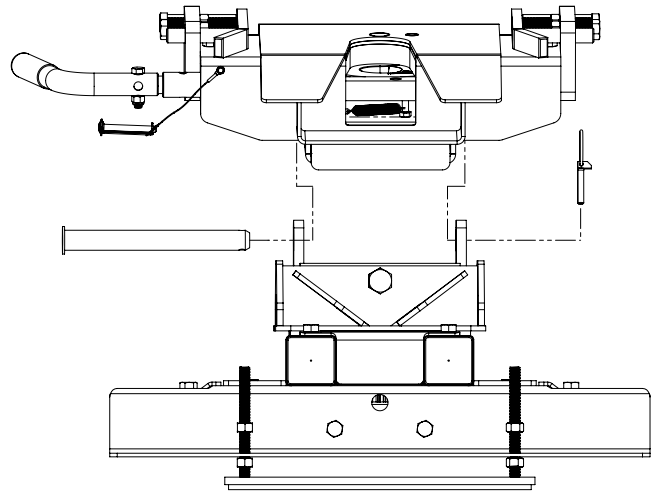
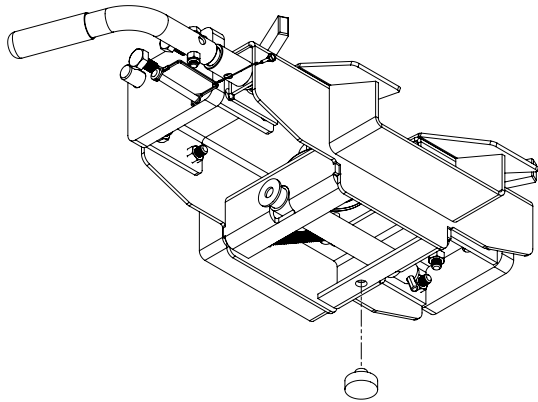


Once the hitch is installed and locked into place in the truck bed, adjust the height of the outrigger bar so that it is snug up against the top of the truck bed and tighten both nuts to lock into place.

## 5th wheel Double Pivot Head Assembly

The dampener stops the hitch head from flopping back and forth in the truck when the trailer is not hooked up. The urethane compresses under load so it does not restrict the fore and aft movement when coupled.

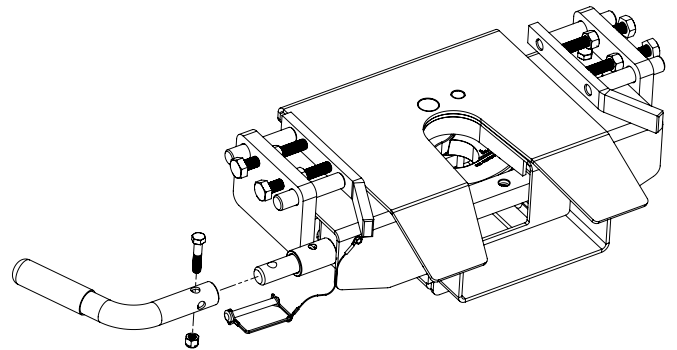
Before attaching the hitch head to the saddle assembly the urethane dampener will need to be installed. It is included in the bag with the bolt and nut for the hitch handle. Simply press into hole that is punched into the bottom side of the hitch as shown below.



## Handle Assembly Instructions

Note (Read carefully before installing): Handle can be positioned toward the front or the back if it is found to interfere with the trailer in any way. Verify this before traveling.

1. Slide yellow gripped handle over locking bar, the handle may point forward, upward or backward. **\*\*DO NOT** have pointing upward if it is found to interfere with the trailer in any way during turning.
2. Fasten with 3/8" x 1 3/4" bolt and lock nut provided.

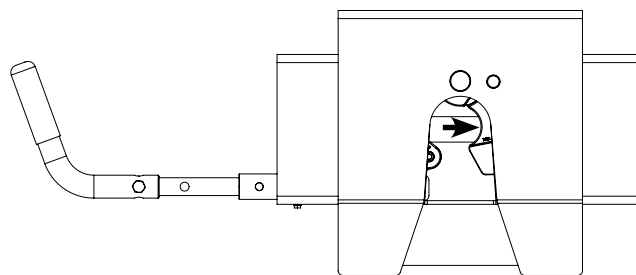


## **WARNING**

DO NOT install hitch handle in a position that the pin box could come in contact with or interfere with the latch of the hitch handle when turning! If the pin box contacts the hitch handle or its latch when turning, the trailer may become unhitched.

## Procedures to Close Locking Bar

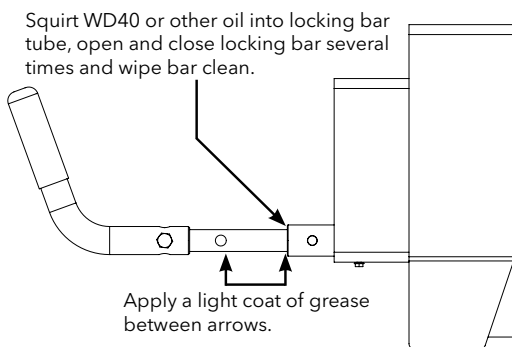
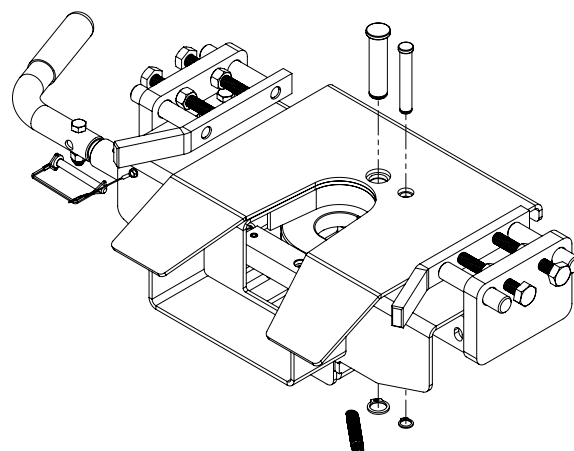
Pull on handle with slight pressure while moving the secondary jaw to the right until the primary jaw is released. Slowly allow the handle to retract into the 5th wheel head. Caution: Do not put hands/fingers into the lock jaw area.



## 5th wheel Pivot Head Maintenance

Each of our 5th wheel hitches has been tested and pre-greased at our production facility to help ensure easy operation of your new product.

As it is a new piece of equipment with some moving parts, a period of wearing in may be necessary to facilitate smoother operation for your new 5th wheel hitch. The most important thing to remember is to keep all moving parts well greased and lubricated. Your doing this will help to ensure longer product life.



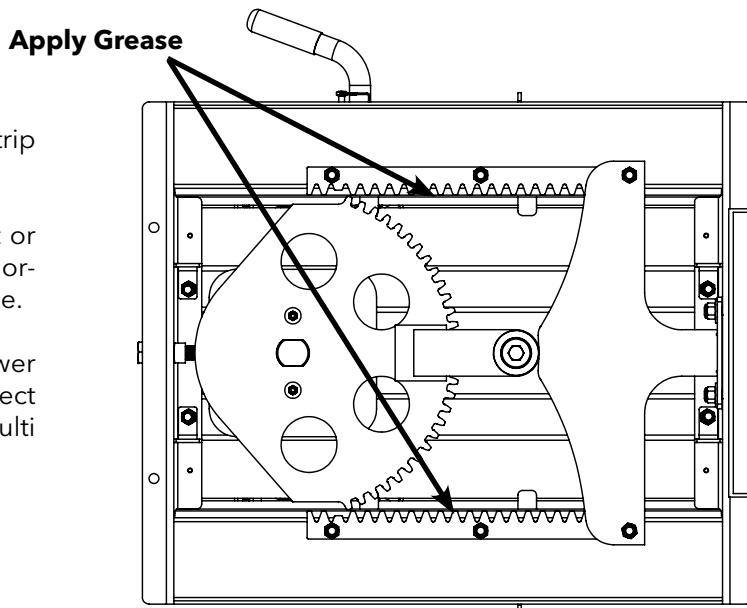
Jaw pins can be removed and greased by removing or unhooking jaw spring and both snap rings. Tap the pin up from bottom. Clean pins and inspect for wear, apply light coat of grease and reinstall pins, snap rings and spring.

## Autoslide Inspection and Care

The Autoslide hitch should be inspected before each trip to insure safe operation and travel.

Before each trip; check hitch for excessive movement or looseness in the slide assembly, some movement is normal. Check fasteners and pins for tightness and presence.

Once a month or every 5,000 miles, inspect the lower guide plates and roller for excessive wear that will effect the function of hitch, some wear is normal. Apply multi purpose or lithium grease to the side gear racks.

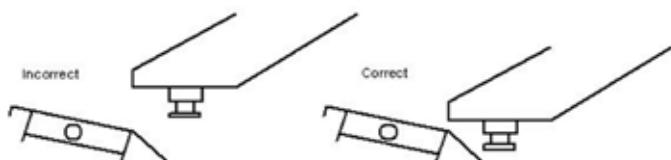


# OPERATION

## 5th Wheel Hitch Operation Instructions

### Coupling Procedure

1. Place wheel chock on each side of trailer wheels.
2. Adjust trailer jacks until trailer is a height for hook up. King pin plate should contact hitch approximately 1/2" below level.



3. Lower tailgate of truck.
4. If hitch is in locked position, remove safety pin and pull handle out to the "Ready to Couple" position.
5. Line truck so that the hitch will accept king pin. Back truck up slowly towards trailer until king pin engages. Hitch will lock when king pin is fully engaged.
6. With the trailer coupled, visually check to see if hitch is completely locked by looking at the handle position, as well as visually checking to ensure that the jaw bar has traveled completely across the front of the king pin.
7. Place safety pin thru the tab and the hole in the handle. This will prevent handle from opening.
8. Connect power cable and breakaway switch cable between truck and trailer.
9. Close and latch tailgate.
10. Apply trailer brakes and try to pull forward slowly to double check that hitch is locked. Trailer should prevent truck from moving.
11. Completely raise trailer jacks. Check for proper clearance between truck box and trailer.
12. Pick up and store wheel chocks. You are now ready to travel.

### Uncoupling Procedure

1. Place wheel chocks on both sides of trailer wheels.
2. Lower trailer jacks to ground and extend until load is level with truck suspension. If on soft ground, place support under jack feet to prevent trailer from settling.
3. Lower tailgate on truck.
4. Disconnect power cable and break away switch.
5. Remove lock pin and pull handle out. If handle will not stay out, install safety pin in second handle hole just outside of frame handle bushing.
6. Drive truck slowly away from trailer.

### Very Important Maintenance Instructions

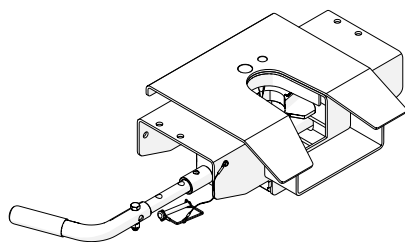
1. Inspect all fasteners for tightness at least every 2,000 miles of operation.
2. Inspect jaw and jaw bar for freedom of movement and proper operation before each use. Replace all damaged or worn parts.
3. Keep all moving parts of hitch well lubricated.
4. It is recommended to use grease or a 3/16" maximum Teflon disc to help prevent wear on top plate surface.

### Very Important Warnings

1. Know your vehicle and trailer GVWR and CVWR. DO NOT exceed capacity of hitch.
2. Hitch is for use with only a standard 2" king pin.

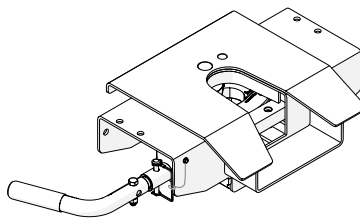
Safety pin MUST be fastened securely before moving vehicle and/or traveling

#### Ready to Couple



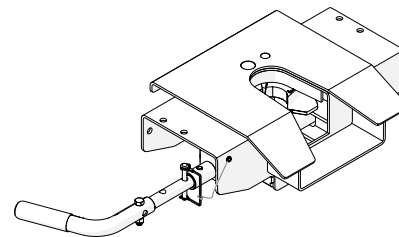
Remove safety lock pin if installed and pull handle until jaw locks open.

#### Coupled and Locked



With handle in "Ready to Couple" position, back-up tow vehicle to couple trailer and hitch. Insert safety pin thru tab and hole in handle. NOTE: Ensure safety lock pin is inserted properly. Apply trailer brakes before jacks are raised and wheel chocks are removed.

#### Uncoupled

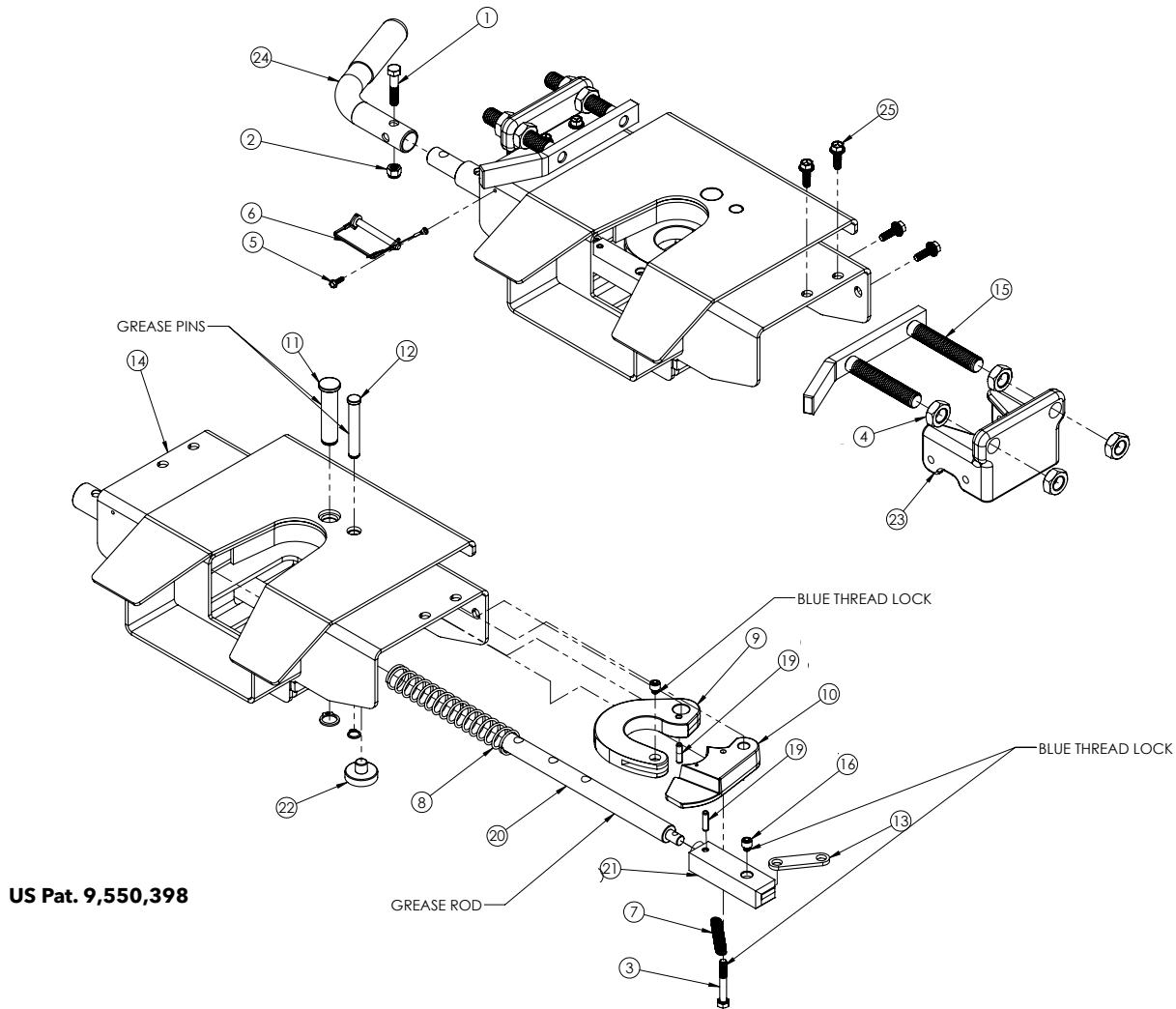


To uncouple, remove safety pin, pull handle straight out until the jaw locks open. If jaw will not stay open, install safety pin in second handle hole just outside of frame handle bushing.

**VISUALLY INSPECT JAW LOCKING MECHANISM BEFORE TRAVELING**



**6081 Pivot Head Parts Breakdown**

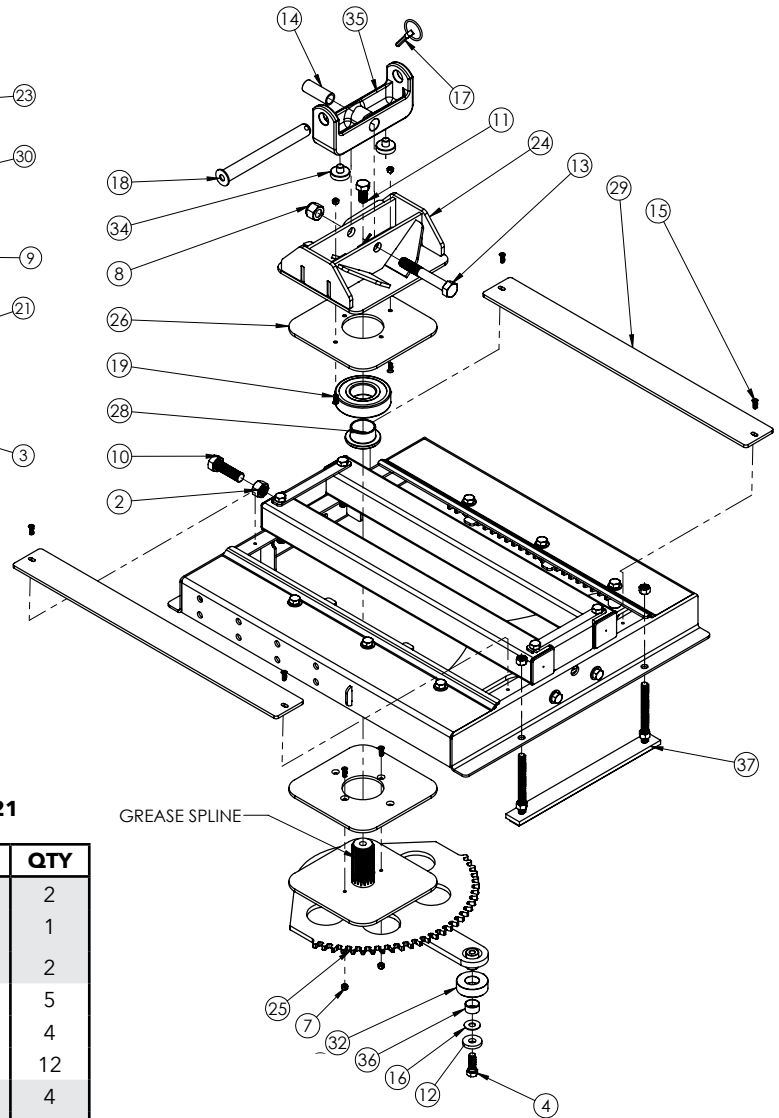
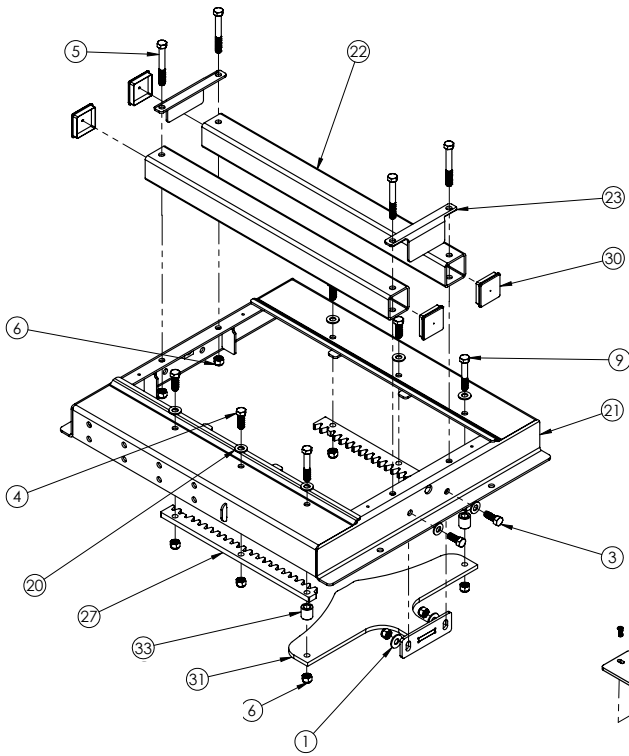


**6081 Parts Breakdown**

ITEM	PART #	DESCRIPTION	QTY	ITEM	PART #	DESCRIPTION	QTY
1	00908	BOLT, .375 NC X 1.75 HEX GR.5	1	14	14741-76	5th WHEEL DOUBLE PIVOT HEAD	1
2	02592	NUT, .375NC NYLON LOCK	1	15	14743-95	CAPTURE PLATE ASSEMBLY	2
3	03547	BOLT .313NC X 2.25 GR5 HEX	1	16	14747	SCREW, .313NC X .25 SOCKET HD CAP	2
4	03701	NUT, .75 JAM	8	17	14749	SNAP RING EXT FOR .50 SHAFT	1
5	03787	SCREW #10NC X .50 SELF DRILLING	1	18	14750	SNAP RING EXT F/ .75 SHAFT	1
6	05337	SAFETY LOCK PIN ASSEMBLY	1	19	14865	ROLL PIN, .25 X 1.00	2
7	14315	SPRING, TENSION	1	20	14867-95	LEVER ARM BAR	1
8	14385	SPRING COMPRESS .105 MW	1	21	14869-95	LOCK BAR	1
9	14594-95	JAW HOOK	1	22	15769	URETHANE BUMPER	1
10	14595-95	SECONDARY LATCH JAW	1	23	15894	CAPTURE PLATE MOUNT	2
11	14735-95	MAIN JAW PIN	1	24	15934	HANDLE ASSEMBLY	1
12	14736-95	SECONDARY JAW PIN	1	25	16338	BOLT, .438NC X 1 SERR FLG HEX GR5	8
13	14737-95	BAR/JAW LINK	1	<b>Please order replacement parts by PART NO. and DESCRIPTION</b>			
<b>Please order replacement parts by PART NO. and DESCRIPTION</b>							

# PARTS BREAKDOWN

## 6077 PARTS BREAKDOWN



US Pat. 7,506,886  
 US Pat. 7,753,392  
 CA Pat. 2,576,427  
 AS Pat. 2007200421

ITEM	PART #	DESCRIPTION	QTY
1	00085	.50 FLAT WASHER	2
2	00253	.75 NC HEX NUT	1
3	00967	BOLT, .50NC X 1.25	2
4	01254	BOLT, .50 NC X 1.50 GR.5 HEX	5
5	01896	BOLT, .50 NC X 4.00 HEX HEAD GR.5	4
6	02178	NUT, .50NC LOCK, NY. INSERT	12
7	02772	NUT, .25NC LOCK NYLON INSERT	4
8	02961	.75NC NYLON INSERT LOCK NUT	1
9	04073	BOLT .50NC X 3.00 GR5 HEX	2
10	05047	BOLT, .75NC X 2.50 GR 5 HEX	1
11	05366	BOLT, .625 NC X 1.25 HEX HEAD GR.5	1
12	07908-95	HEAVY WASHER	1
13	11099	BOLT, .75 NC X 5.00 HEX HEAD GR. 8	1
14	11337-95	HINGE BUSHING	1
15	11779	SCREW, .25NC X .75 FLAT HD PHIL	8
16	13317	CLEVIS SPACER WASHER	1
17	14221	LYNCH PIN, .313	1
18	14222-95	AS PIVOT PIN 1" X 9.38	1
19	14319	BEARING, AS UPPER	1
20	14488	.50 FLAT WASHER NARROW RIM	8
21	14706-76	5TH WHEEL AS MAIN FRAME	1
22	14707-76	GUIDE TUBE	2
23	14708-76	GUIDE TUBE SUPPORT	2
24	14709-76	AS UPPER SLIDE ASSEMBLY	1
25	14710-76	AS MAIN GEAR ASSEMBLY	1
26	14711	AS WEAR PLATE	2

ITEM	PART #	DESCRIPTION	QTY
27	14712	AS GEAR RACK	2
28	14714-95	BEARING SPACER/SLEEVE	1
29	14716	RACK COVER	2
30	14717	CAP PLUG SQUARE 2 X 18 GA	4
31	14920-76	AS GUIDE ASSEMBLY	1
32	14985-95	ROLLER	1
33	15159-95	SPACER BUSHING	2
34	15769	URETHANE PIVOT BUMPER	2
35	15778	5th WHEEL HEAD YOKE	1
36	16235	ROLLER BUSHING	1
37	6018	OUTRIGGER BAR ASSEMBLY	1

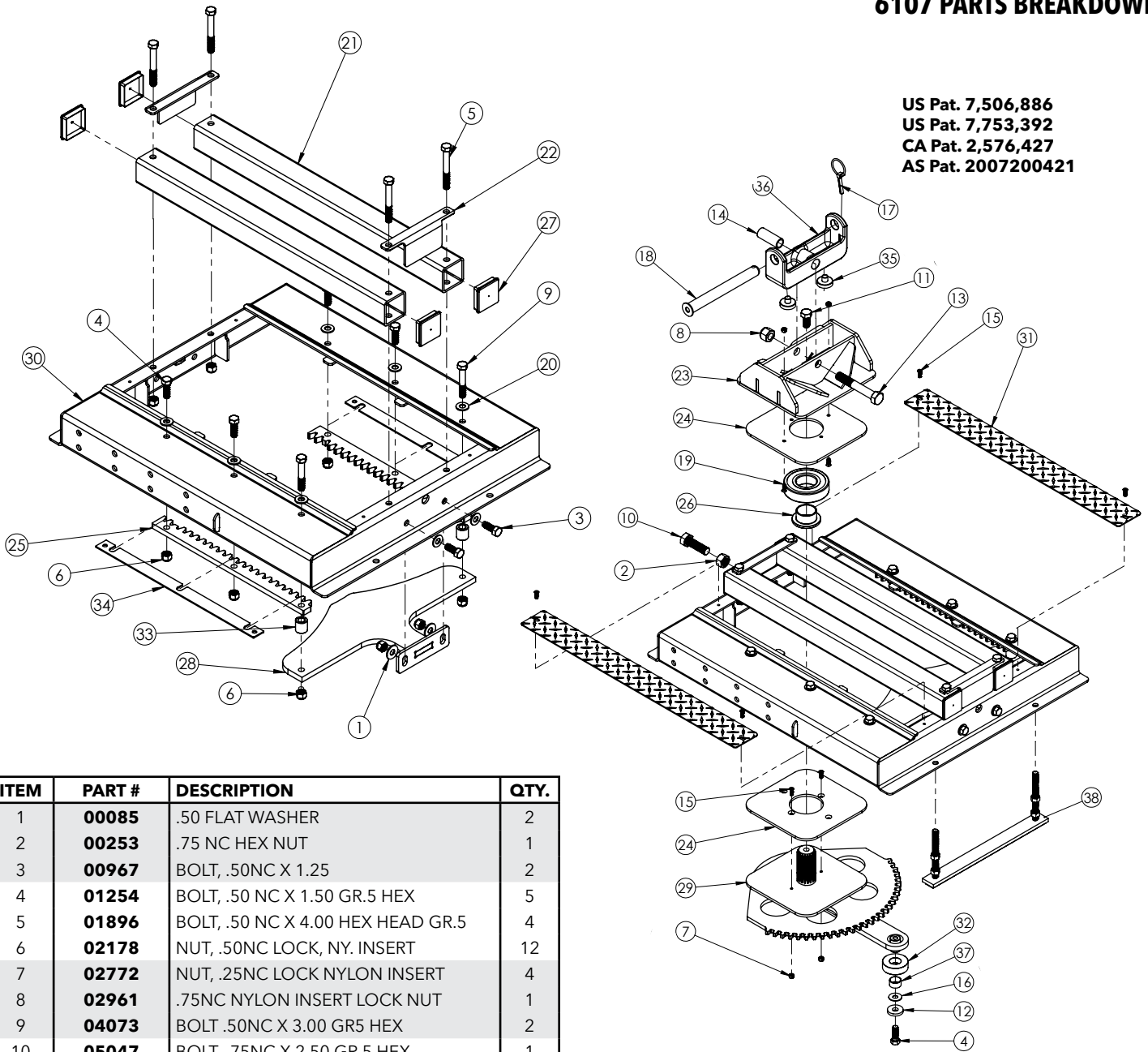
Please order replacement parts by PART NO. and DESCRIPTION

Please order replacement parts by PART NO. and DESCRIPTION

# PARTS BREAKDOWN

## 6107 PARTS BREAKDOWN

US Pat. 7,506,886  
 US Pat. 7,753,392  
 CA Pat. 2,576,427  
 AS Pat. 2007200421



ITEM	PART #	DESCRIPTION	QTY.
1	00085	.50 FLAT WASHER	2
2	00253	.75 NC HEX NUT	1
3	00967	BOLT, .50NC X 1.25	2
4	01254	BOLT, .50 NC X 1.50 GR.5 HEX	5
5	01896	BOLT, .50 NC X 4.00 HEX HEAD GR.5	4
6	02178	NUT, .50NC LOCK, NY. INSERT	12
7	02772	NUT, .25NC LOCK NYLON INSERT	4
8	02961	.75NC NYLON INSERT LOCK NUT	1
9	04073	BOLT .50NC X 3.00 GR5 HEX	2
10	05047	BOLT, .75NC X 2.50 GR 5 HEX	1
11	05366	BOLT, .625 NC X 1.25 HEX HEAD GR.5	1
12	07908-95	HEAVY WASHER	1
13	11099	BOLT, .75 NC X 5.00 HEX HEAD GR. 8	1
14	11337-95	HINGE BUSHING	1
15	11779	SCREW, .25NC X .75 FLAT HD PHIL	8
16	13317	CLEVIS SPACER WASHER	1
17	14221	LYNCH PIN, .313	1
18	14222-95	AS PIVOT PIN 1" X 9.38	1
19	14319	BEARING, AS UPPER	1
20	14488	.50 FLAT WASHER NARROW RIM	8
21	14707-76	GUIDE TUBE	2
22	14708-76	GUIDE TUBE SUPPORT	2
23	14709-76	AS UPPER SLIDE ASSEMBLY	1
24	14711	AS WEAR PLATE	2
25	14712	AS GEAR RACK	2
26	14714-95	BEARING SPACER/SLEEVE	1
27	14717	CAP PLUG SQUARE 2 X 18 GA	4

Please order replacement parts by PART NO. and DESCRIPTION

ITEM	PART #	DESCRIPTION	QTY.
28	14938-76	21K AS GUIDE ASSEMBLY	1
29	14982-76	AS MAIN GEAR ASSEMBLY	1
30	14983-76	5TH WHEEL AS MAIN FRAME	1
31	14984	RACK COVER	2
32	14985-95	ROLLER	1
33	15159-95	SPACER BUSHING	2
34	15542-76	RACK SPACER	2
35	15769	URETHANE PIVOT BUMPER	2
36	15778	5th WHEEL HEAD YOKE	1
37	16235	ROLLER BUSHING	1
38	6018	OUTRIGGER BAR ASSEMBLY	1

Please order replacement parts by PART NO. and DESCRIPTION