



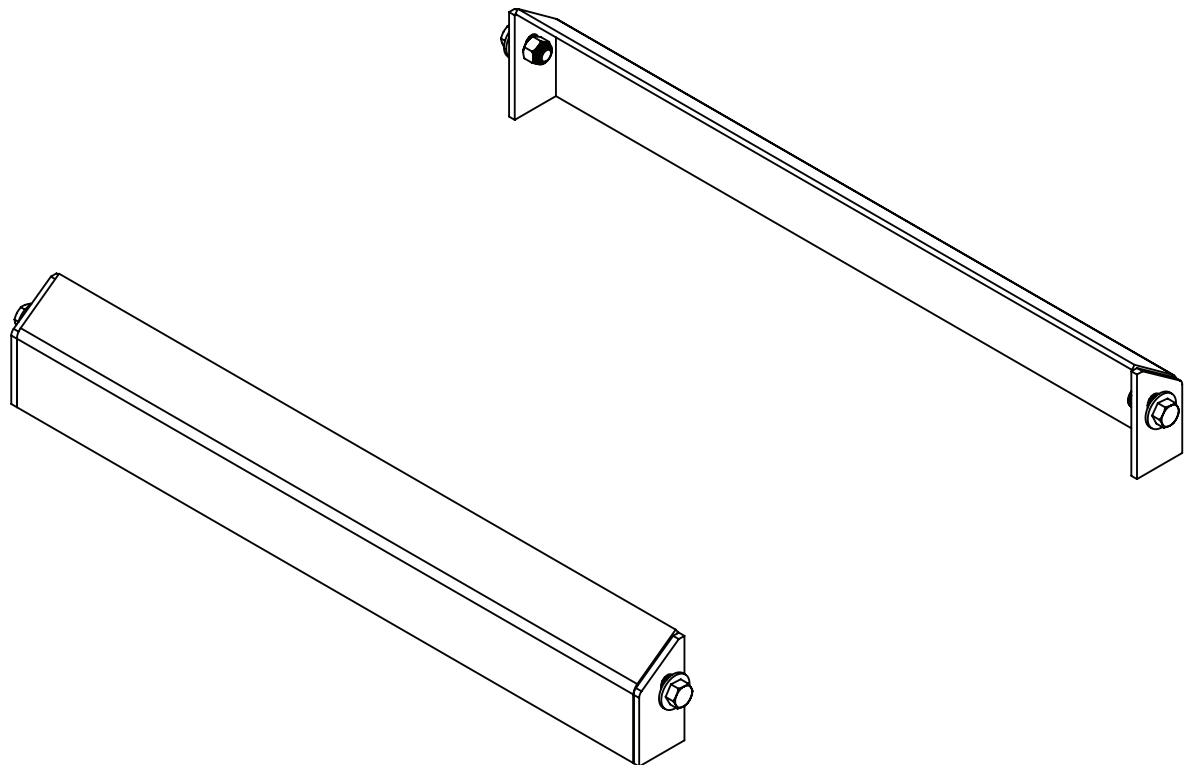
3/16  
HJ26051 Rev 2



# 5th Wheel Hitch

## 6051 21K PREMIER SERIES

### STATIONARY UPGRADE KIT



**READ** *complete manual CAREFULLY*  
*BEFORE attempting operation.*

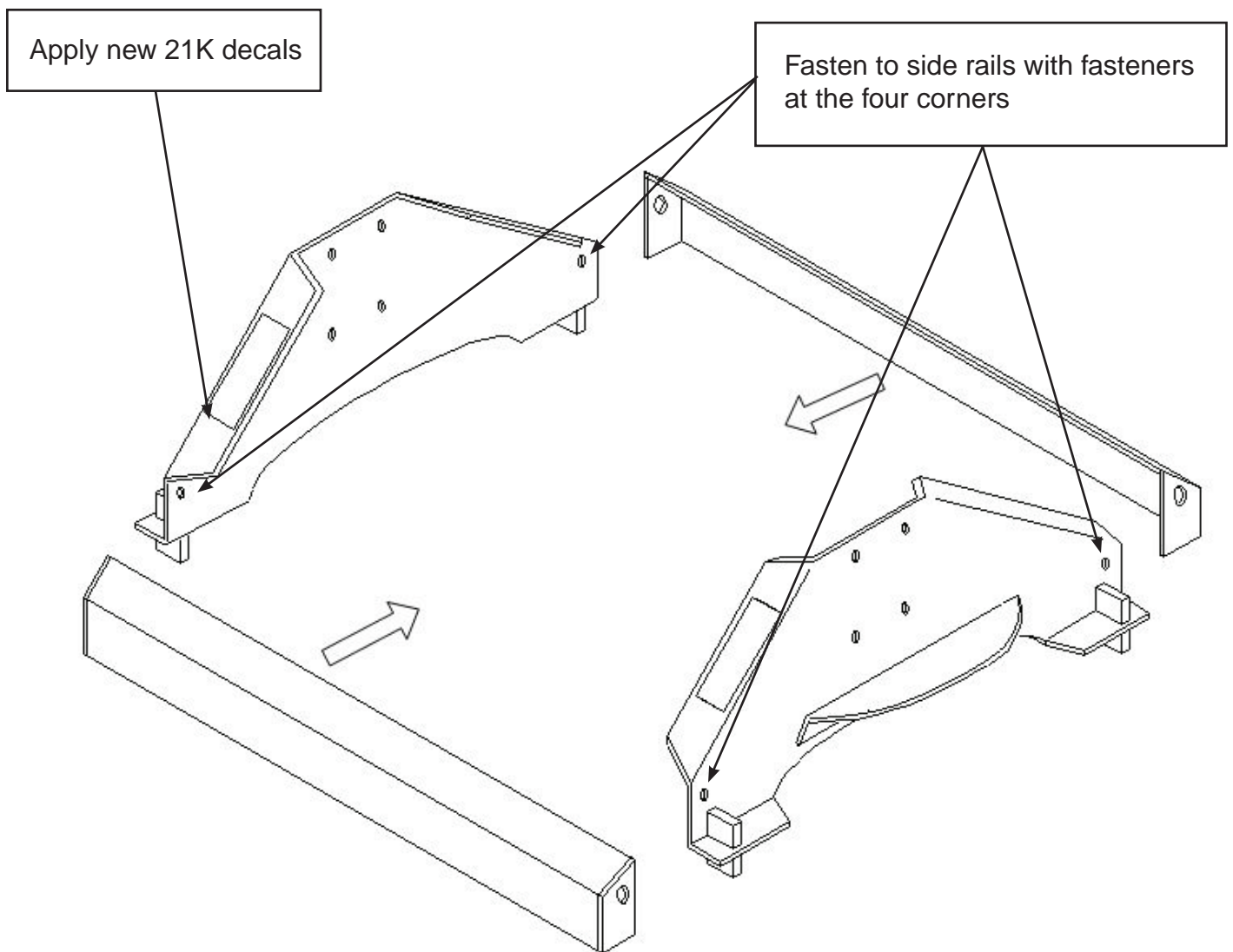
Doing Our Best to Provide You the Best

MANUAL  
OPERATORS

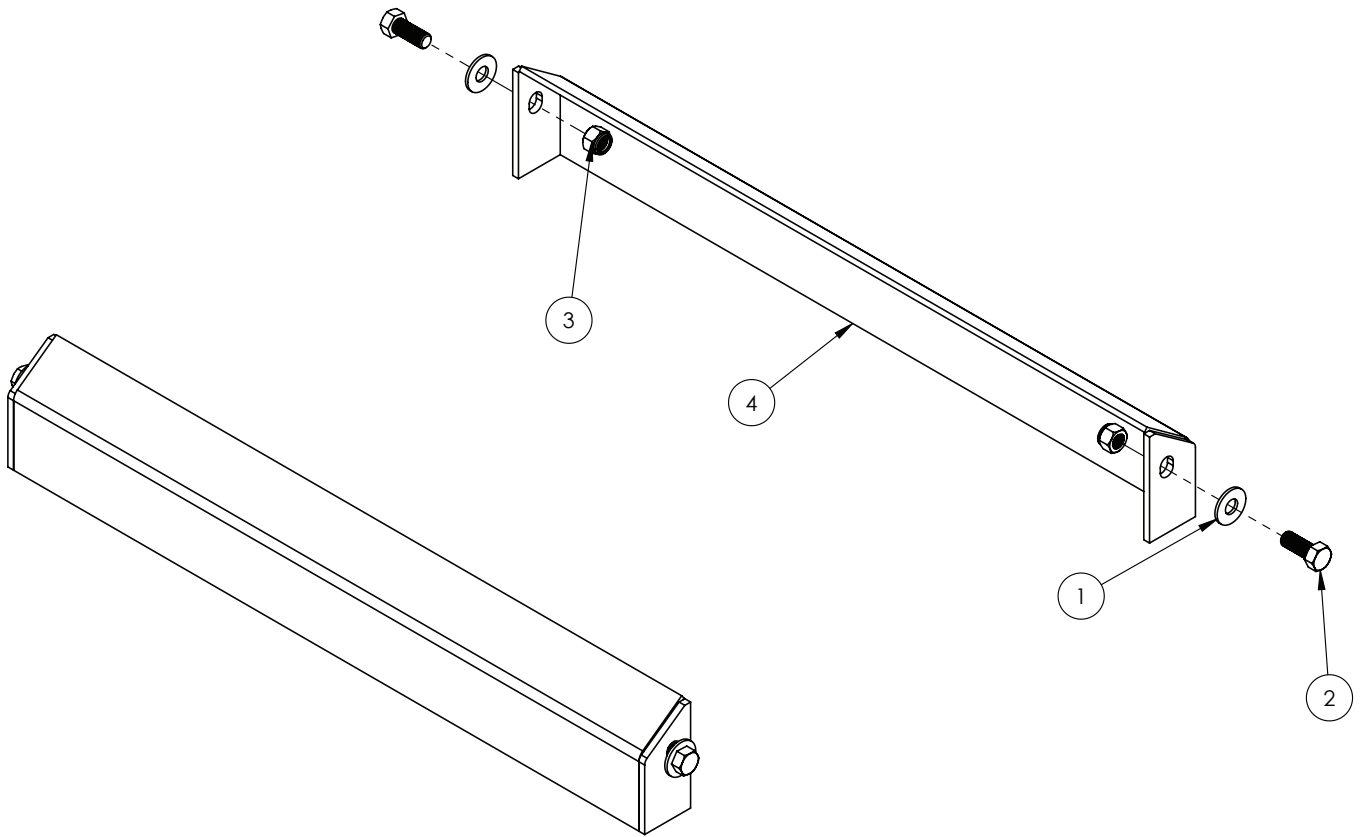
## 6051 21K Upgrade Kit Assembly Instructions

The addition of these side load brackets to the Premier/UL and SL series fifth wheel hitches will boost the overall capacity rating of the hitch from 16,000 lbs. to 21,000 lbs. towing capacity.

1. Loosely assemble complete fifth wheel hitch assembly and attach the 5991 brackets, using fasteners provided in kit, to the side rails in front of and behind the hitch as shown below.
2. Replace the 16K decals with the new 21K decals that are provided with the upgrade kit over top of existing decals.
3. Tighten all bolts.



## 6051 Parts Breakdown



## 5991 Parts Breakdown

ITEM	PART #	QTY	DESCRIPTION
1	00085	4	.50 FLAT WASHER
2	01254	4	BOLT, .50NC X 1.50
3	02178	4	NUT, .50NC LOCK, NY. INSERT
4	14535-76	2	21K BRACE

Please order replacement parts by PART NO. and DESCRIPTION.