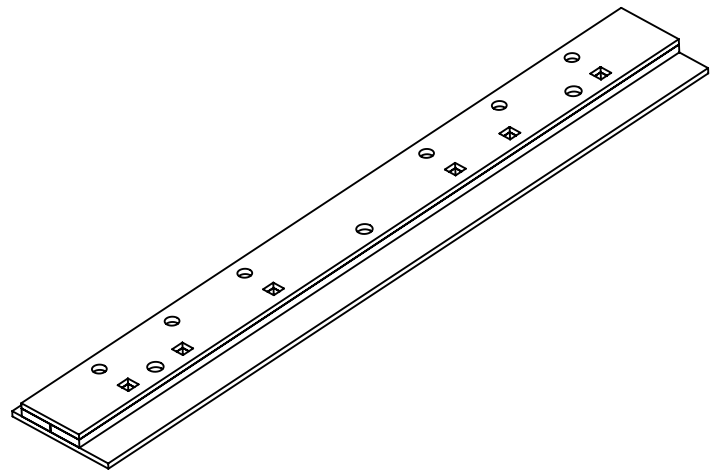
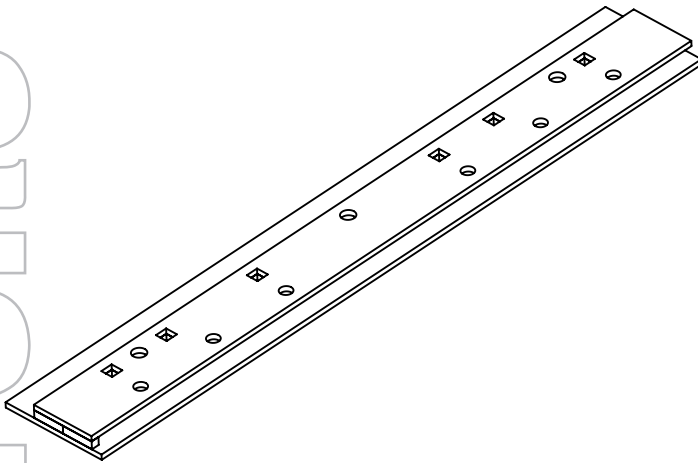




# 5th Wheel Bed Rails

## 6012 SL Bed Rail



**READ** *complete manual CAREFULLY  
BEFORE attempting operation.*

Doing Our Best to Provide You the Best

MANUAL  
OPERATORS

## TABLE OF CONTENTS

Torque Specifications ..... 2  
 6012 Parts Breakdown ..... 2  
 6012 Installation Instructions ..... 3  
 Important Notice ..... 4



### Torque Specifications

#### BOLT TORQUE DATA FOR STANDARD NUTS, BOLTS, AND CAPSCREWS.

Tighten all bolts to torques specified in chart unless otherwise noted. Check tightness of bolts periodically, using bolt chart as guide. Replace hardware with same grade bolt.

NOTE: Unless otherwise specified, high-strength Grade 5 hex bolts are used throughout assembly of equipment.

Torque figures indicated are valid for non-greased or non-oiled threads and heads unless otherwise specified. Therefore, do not grease or oil bolts or capscrews unless otherwise specified in this manual. When using locking elements, increase torque values by 5%.

\* GRADE or CLASS value for bolts and capscrews are identified by their head markings.

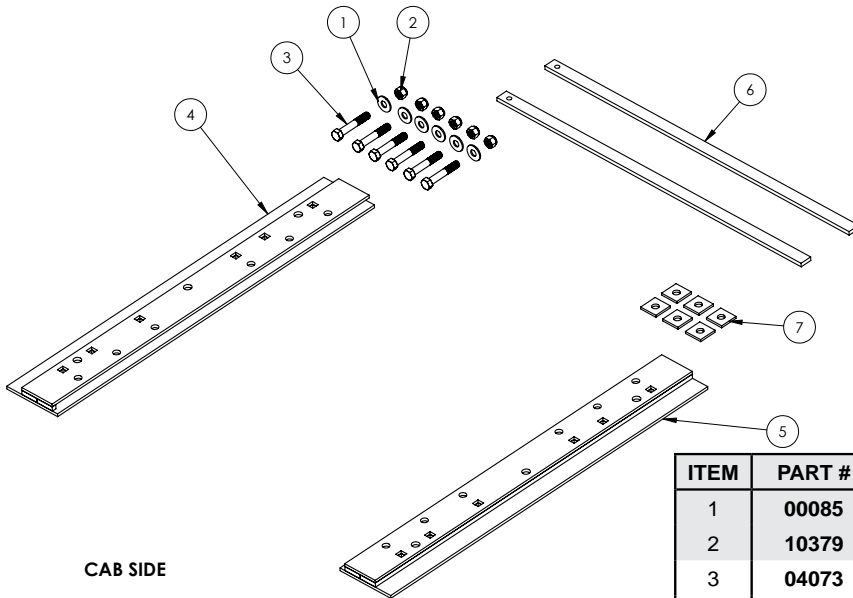
**Bolt Torque for Standard bolts \***

"A"	GRADE 2		GRADE 5		GRADE 8	
	lb-ft	(N.m)	lb-ft	(N.m)	lb-ft	(N.m)
1/4"	6	(8)	9	(12)	12	(16)
5/16"	10	(13)	18	(25)	25	(35)
3/8"	20	(27)	30	(40)	45	(60)
7/16"	30	(40)	50	(70)	80	(110)
1/2"	45	(60)	75	(100)	115	(155)
9/16"	70	(95)	115	(155)	165	(220)
5/8"	95	(130)	150	(200)	225	(300)
3/4"	165	(225)	290	(390)	400	(540)
7/8"	170	(230)	420	(570)	650	(880)
1"	225	(300)	630	(850)	970	(1310)

**Bolt Torque for Metric bolts \***

"A"	CLASS 8.8		CLASS 9.8		CLASS 10.9	
	lb-ft	(N.m)	lb-ft	(N.m)	lb-ft	(N.m)
6	9	(13)	10	(14)	13	(17)
7	15	(21)	18	(24)	21	(29)
8	23	(31)	25	(34)	31	(42)
10	45	(61)	50	(68)	61	(83)
12	78	(106)	88	(118)	106	(144)
14	125	(169)	140	(189)	170	(230)
16	194	(263)	216	(293)	263	(357)
18	268	(363)	--	--	364	(493)
20	378	(513)	--	--	515	(689)
22	516	(699)	--	--	702	(952)
24	654	(886)	--	--	890	(1206)

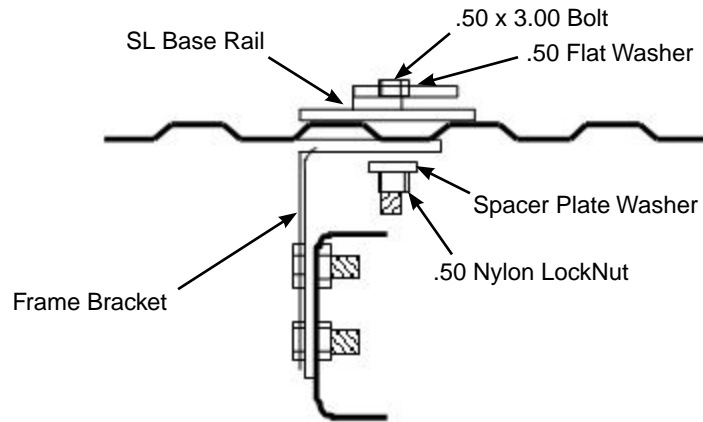
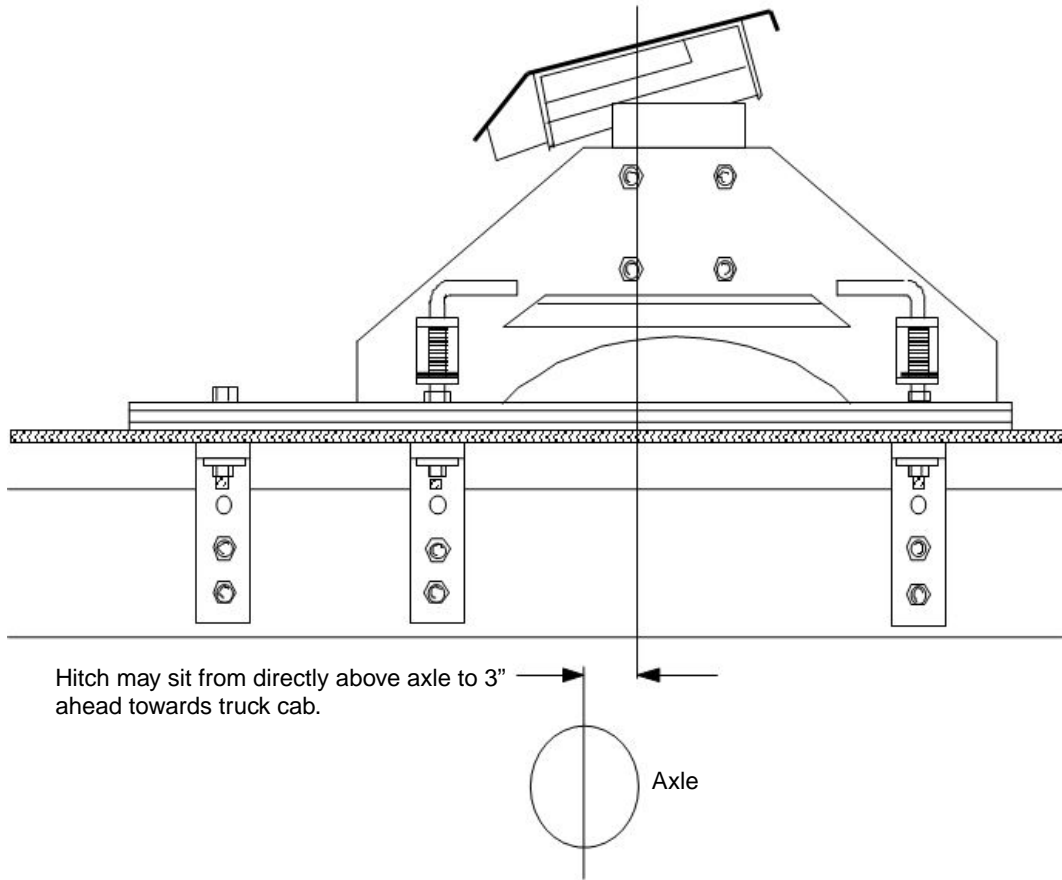
### 6012 Parts Breakdown



ITEM	PART #	QTY	DESCRIPTION
1	00085	6	.50 FLAT WASHER
2	10379	6	NUT, .50NC SERRATED FLANGE
3	04073	6	BOLT .50NC X 3.00 GR5 HEX
4	14141-76	1	SL BASE RAIL, RIGHT
5	14142-76	1	SL BASE RAIL, LEFT
6	14218-76	2	SL SHIM
7	14235-95	6	SQUARE WASHER

Please order replacement parts by PART NO. and DESCRIPTION.

# 6012 Installation Instructions



**IMPORTANT NOTICE:** This installation may require different frame brackets for the various truck models. This kit does not contain any frame brackets for this reason.

The Hijacker hitch must be completely assembled and adjusted to the proper height before securing into the box of the truck. Never tow with the hitch in the maneuvering or parking position.

1. The correct height for the hitch is such that there is approximately 6" of clearance between the top of the truck box and the bottom of the trailer overhang. All Hijacker hitches have 4" of adjustment up or down in 1" increments.
2. Once the proper height has been determined, bolt the hitch saddle and side rail assemblies together and pin them into the bed rails. Pin the side rails into the set of holes closest to the end with the tab welded on it. This is the end of the bed rail that is mounted closest to the cab of the truck.
3. The ideal location for the center of the hitch is directly over the axle to up to 3" ahead of it, and it must be centered side to side in the box of the truck. As noted above, specific install instructions for the different vehicles are available. **NOTE:** Use supplied shim (#14218-76) if rail only sits on one rib of pickup box. Shim will be used to support the rail. Place shim between ribs of pickup box and center front to back of rail.
4. When hitch and rail assembly are in the proper position, drill either the # 1 or # 2 hole (which ever the specific install instruction states to use) on one side first. Note that the # 1 hole is the hole closest to the cab of the truck and hole # 6 is closest to the tailgate. Drop in a ½" x 3" bolt (with flat washer) and loosely fasten a frame bracket up under the box with a square washer and ½" flange nut. Repeat this on the other bed rail. After the ends of the bed rails closest to the cab have been drilled and bolts dropped down thru, lift all four spring loaded lock pins up and turn to keep held up and slide the side rail assembly back toward the tailgate and lock into the rear set of holes. Drill either the # 5 or # 6 holes or the holes closest to the tailgate that are stated in the truck specific install instructions and drop a bolt and flat washer thru and repeat on the other side. Loosely fasten frame bracket and square washers onto the bolts under truck bed. Slide the hitch assembly back and forth in the bed rails to ensure smooth operation. Now proceed to drill at least one more hole per side in between the forward and rear bolts. And fasten frame brackets.
5. Securely fasten the frame brackets underneath by pushing them up against the frame and tightening up the nut. Next drill two holes thru the frame and use the ½" x 1 ½" bolts, nuts, and flat washers to secure the brackets to the frame. **IT IS IMPORTANT TO USE 6 L-SHAPED FRAME BRACKETS OR VEHICLES SPECIFIC FRAME BRACKETS.**