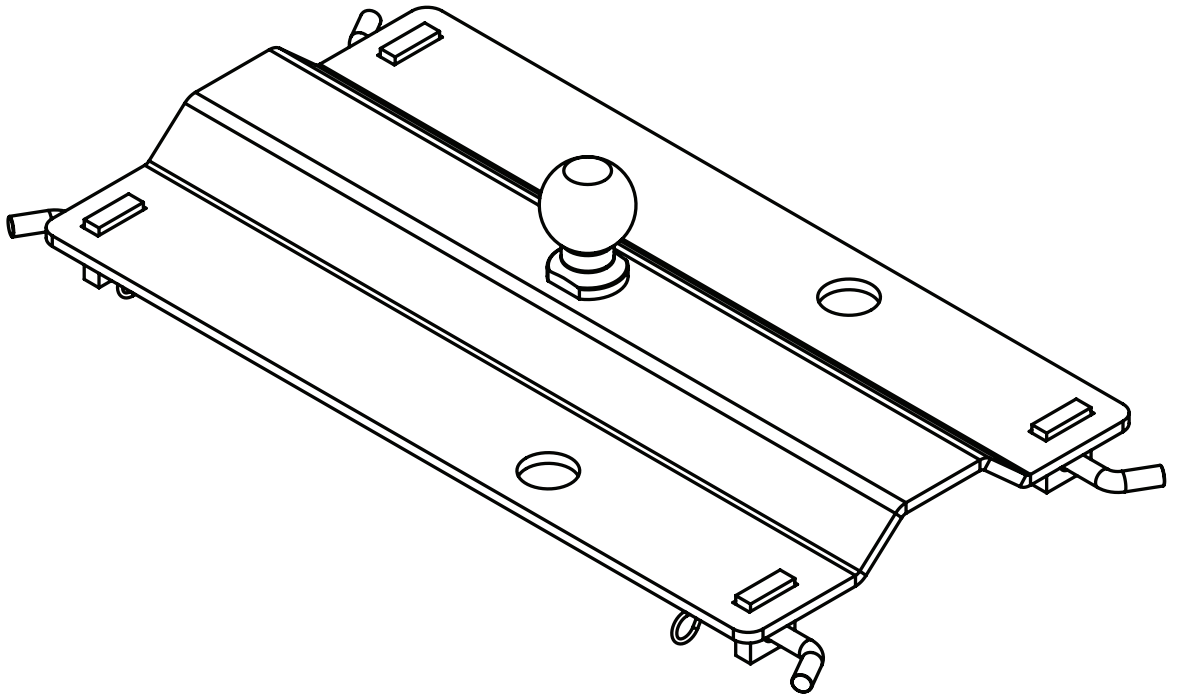




# Gooseneck

## 5996 Ultra Hitch



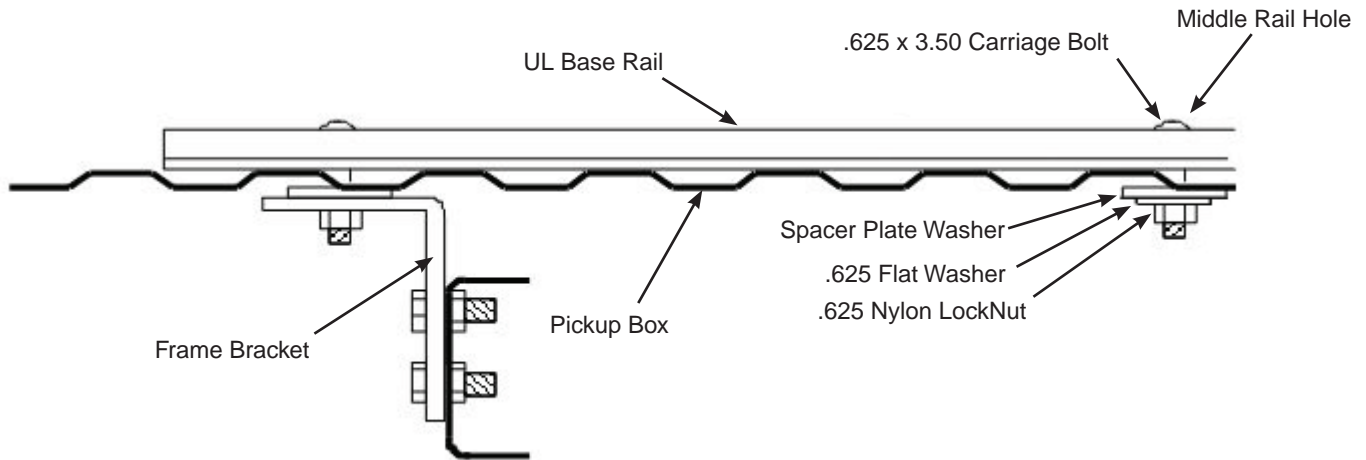
**READ** *complete manual CAREFULLY  
BEFORE attempting operation.*

Doing Our Best to Provide You the Best

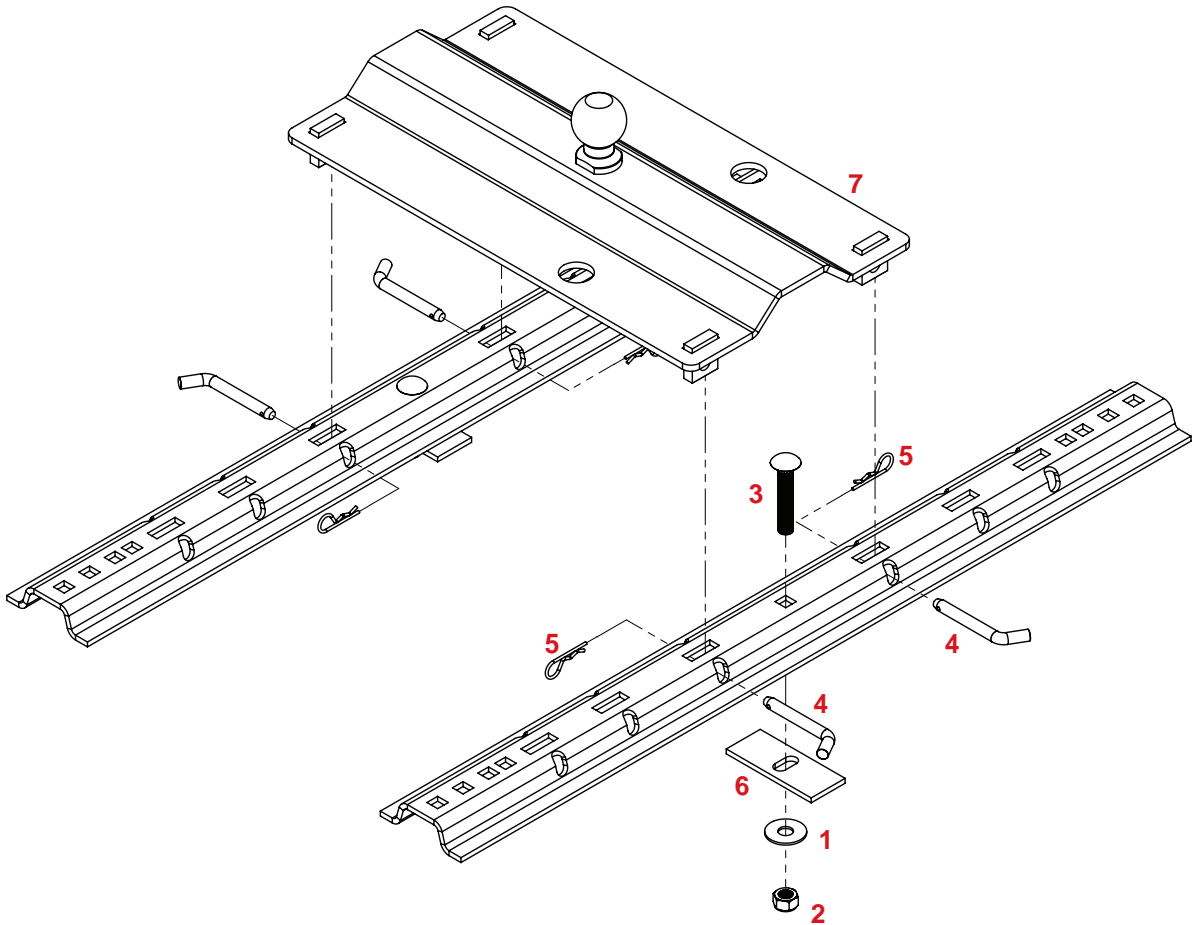
OPERATORS MANUAL

## 5996 Installation Instructions

1. Before installing hitch on the bed rail, install center bolt support by using the center rail hole as a template. Drill 5/8" hole into the pickup box and pass through the rail and pickup box and fasten with the spacer plate against the bottom of box, flat washer and nylon lock nut.
2. Install hitch into the narrowest slots in bed rail and pin it in place with supplied pull pins and hair pins.



## 5996 Parts Breakdown



| ITEM | PART #   | QTY | DESCRIPTION                            |
|------|----------|-----|--|
| 1    | 00477    | 2   | 5/8" FLAT WASHER                       |
| 2    | 02587    | 2   | NUT, 5/8" NC LOCK, NY. INSERT          |
| 3    | 14321    | 2   | BOLT 5/8"NC X 3-1/2 Carriage Bolt Gr.5 |
| 4    | 14226    | 4   | PULL PIN W/HAIR PIN                    |
| 5    | 00182    | -   | HAIR PIN (REPLACEMENT)                 |
| 6    | 14157-76 | 2   | SQUARE WASHER                          |
| 7    | 14265-76 | 1   | GOOSENECK HITCH W/2-5/16" BALL         |

Please order replacement parts by PART NO. and DESCRIPTION.