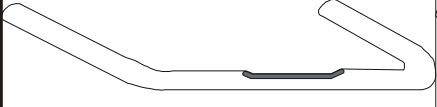
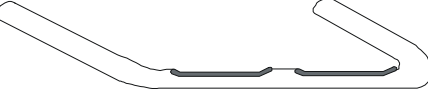
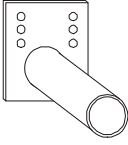
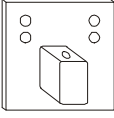

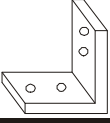
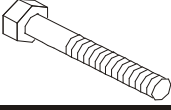
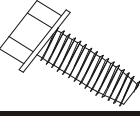



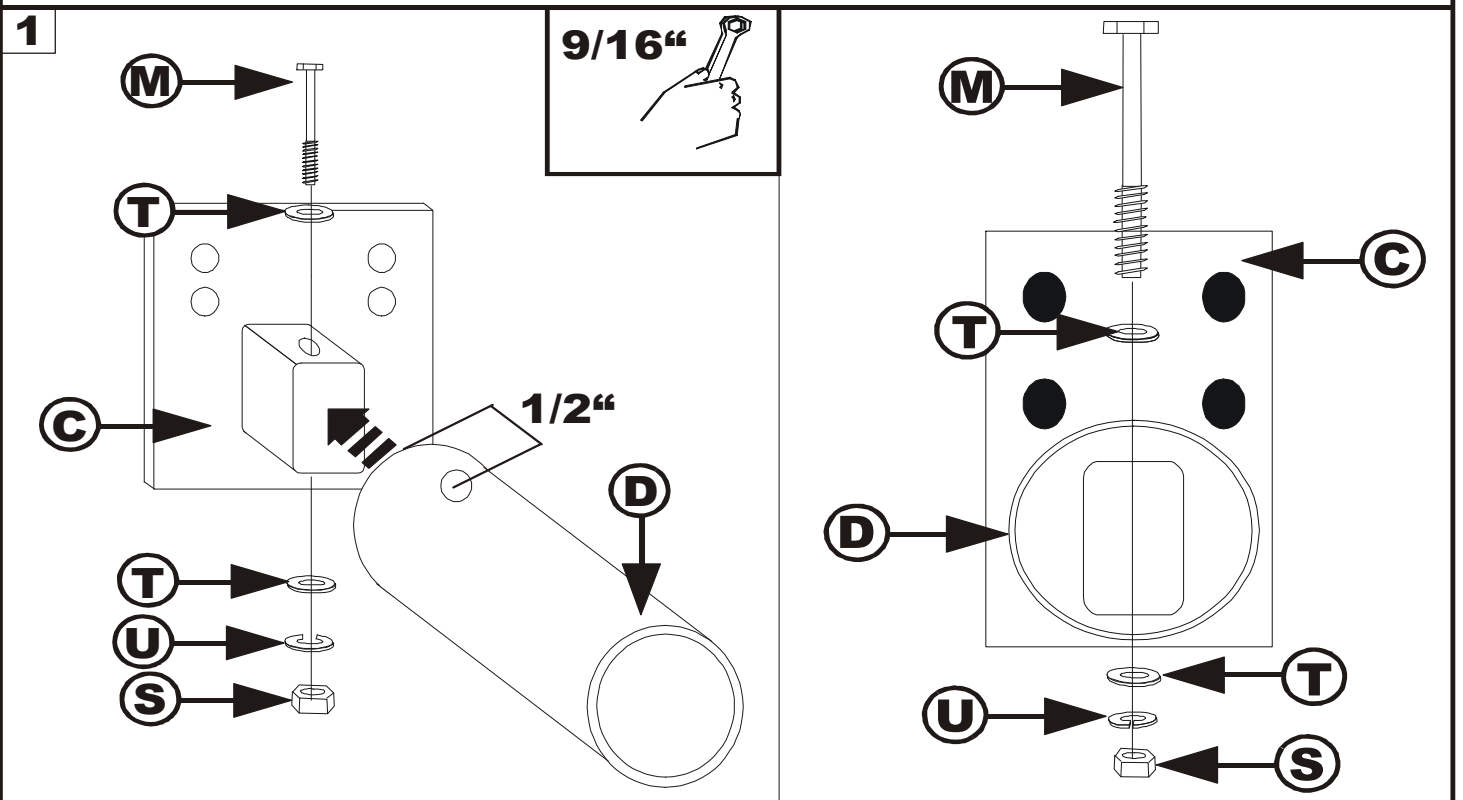
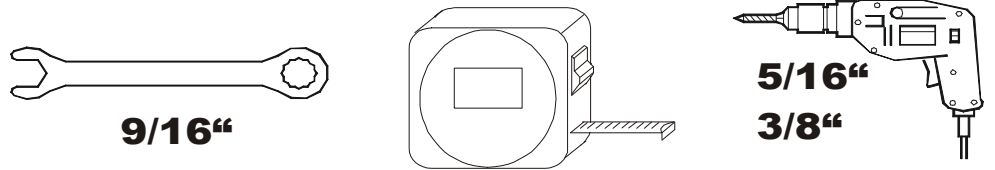




**Dee Zee Universal Nerfstep Installation Instructions**  
 DZ 3700291 / DZ 3700293 / DZ 3700301 / DZ 3700303  
 Regular Cab Pickups / Extended Cab Pickups

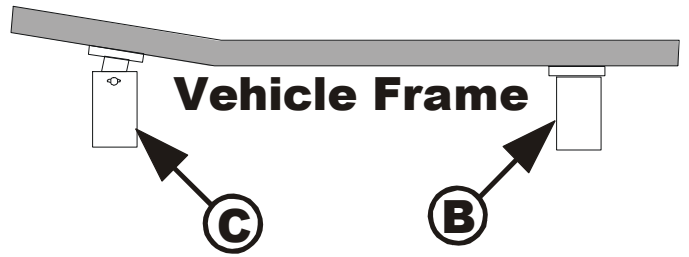
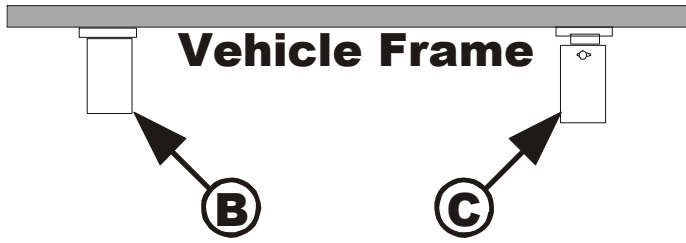
<b>A Regular Cab Nerfstep</b>  <b>X2</b>	<b>A Extended Cab Nerfstep</b>  <b>X2</b>	<b>B Straight Mounting Bracket</b>  <b>X2</b>	<b>C Swivel Mounting Bracket</b>  <b>X2</b>
<b>D Swivel Extension Bracket</b>  <b>X2</b>	<b>E Support Bracket</b>  <b>X4</b>	<b>M 3/8 x 3.5" Hex Head Bolt</b>  <b>X6</b>	<b>N 3/8" x 1" Self Tapping Screw</b>  <b>X36</b>
<b>S 3/8" Hex Nut</b>  <b>X6</b>	<b>T 3/8" Flat Washer</b>  <b>X12</b>	<b>U 3/8" Lock Washer</b>  <b>X2</b>	

**Tools Required:**

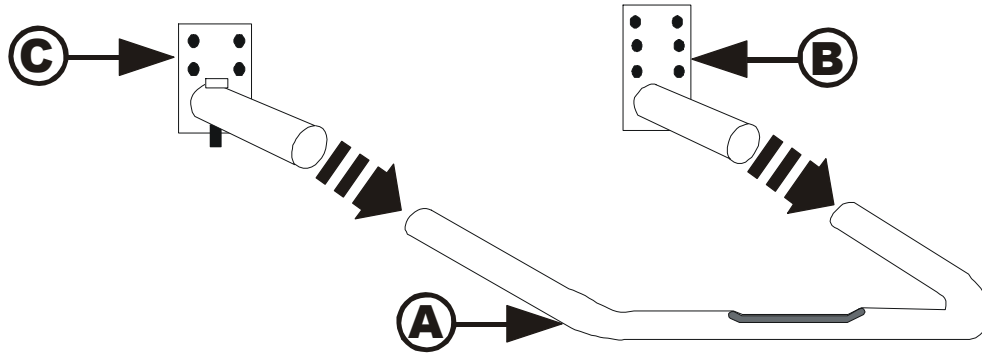


2

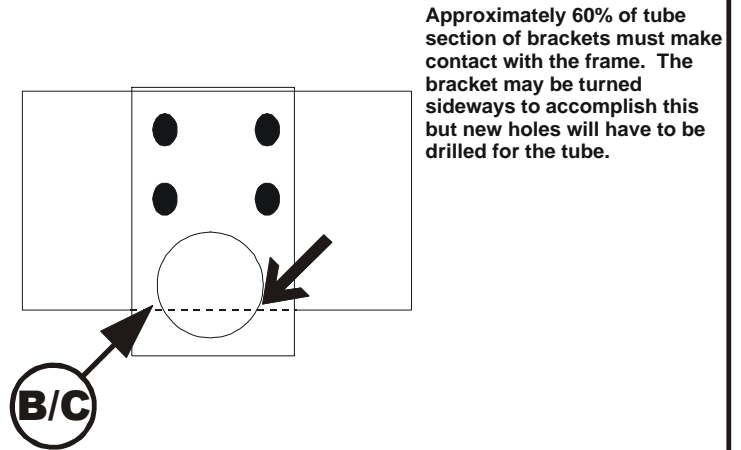
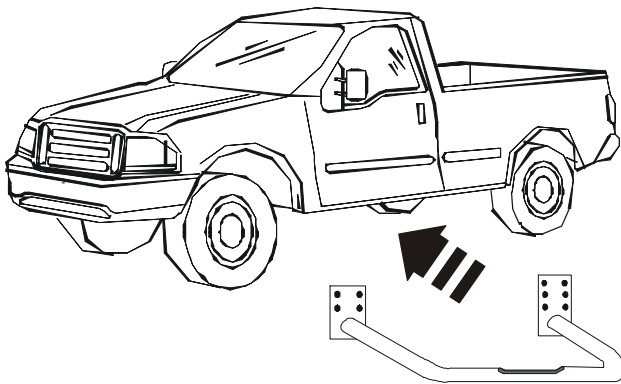
Some examples of how the brackets may fit to the frame.



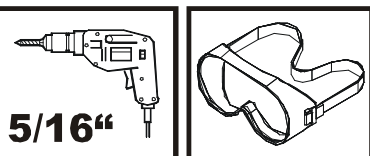
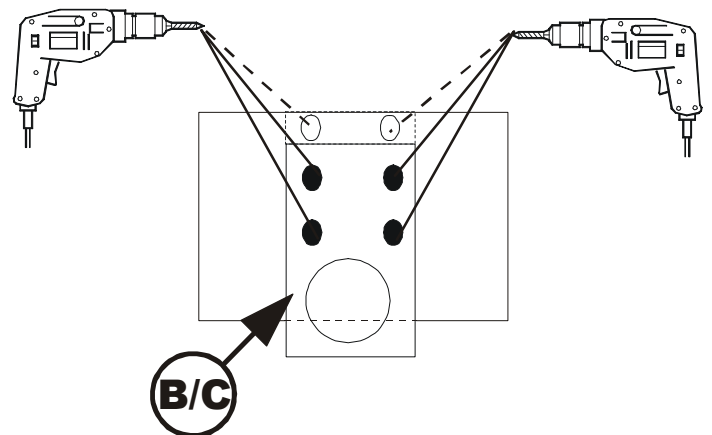
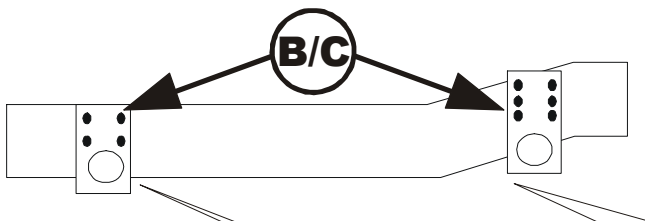
3



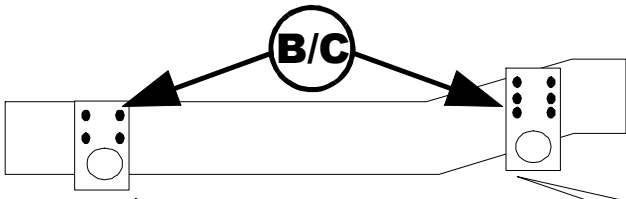
4



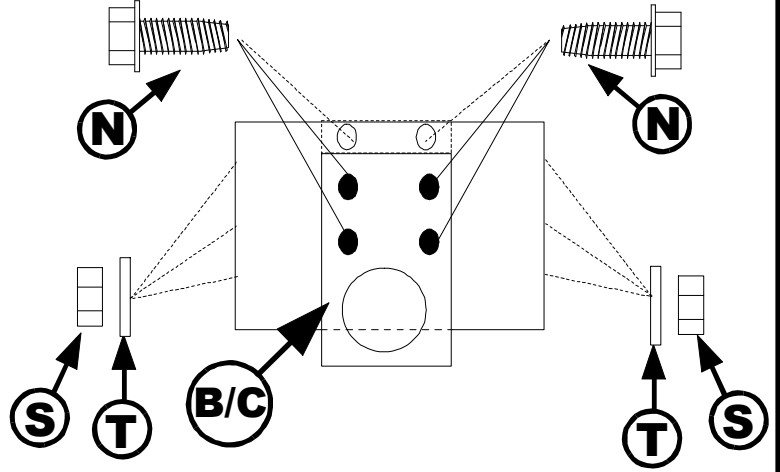
5



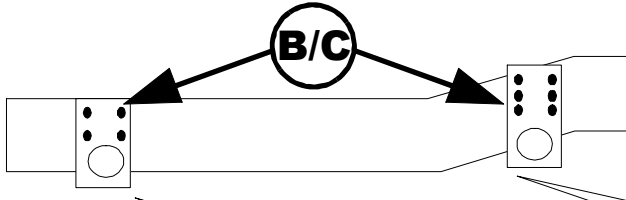
6



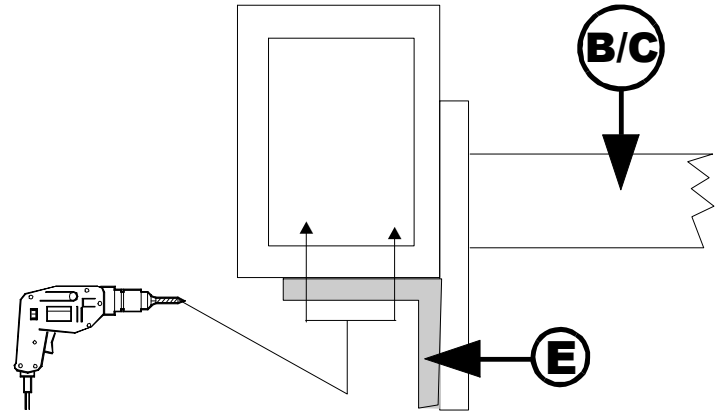
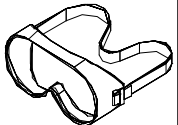
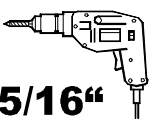
9/16"



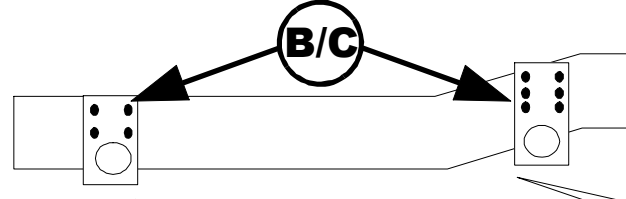
7



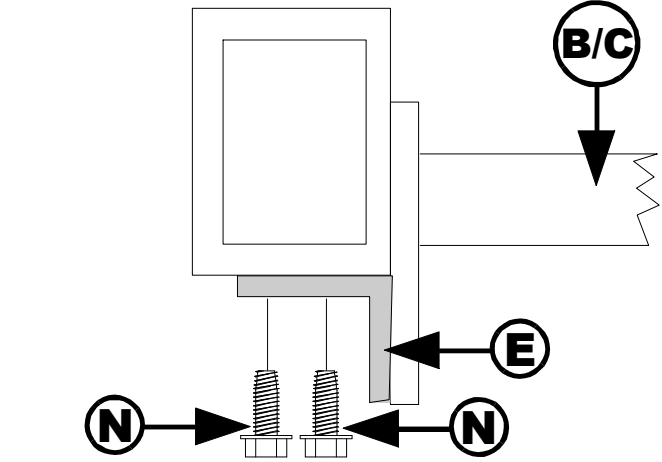
5/16"



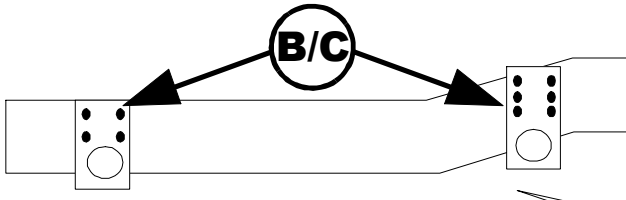
8



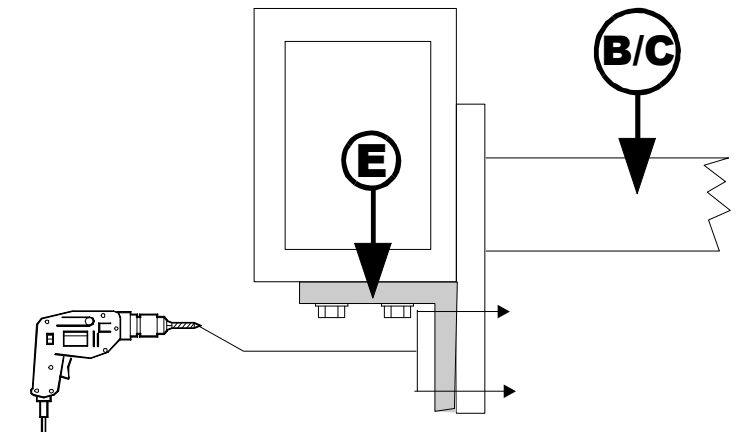
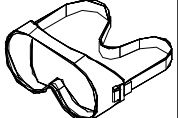
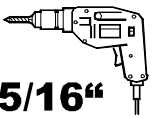
9/16"



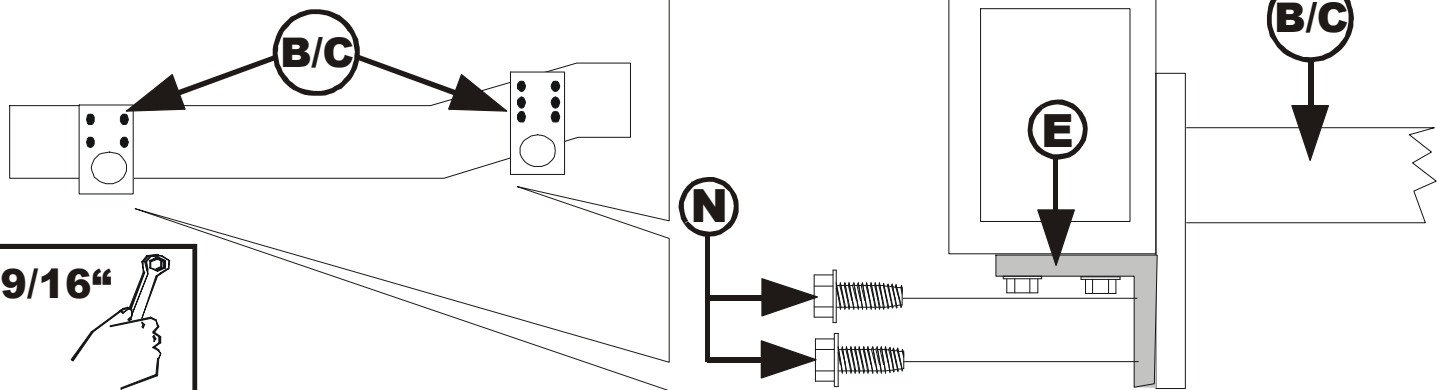
9



5/16"

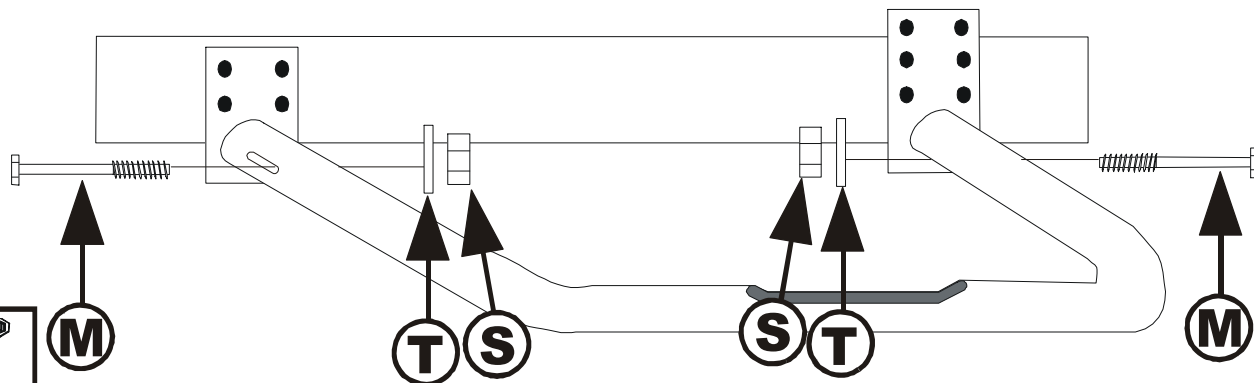


10



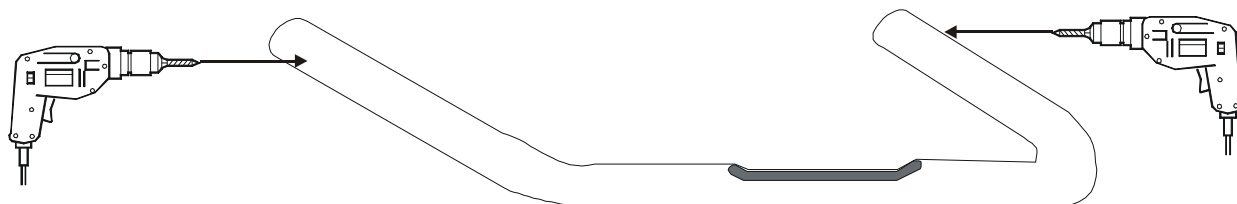
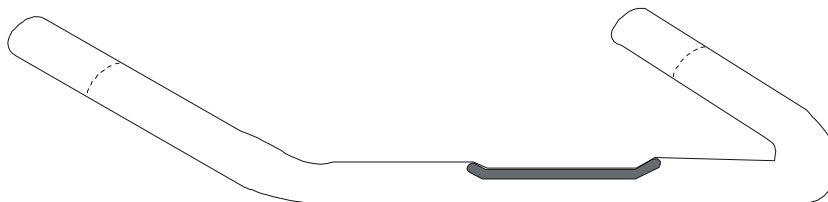
9/16"

11



9/16"

**NOTE:** Some tubes may need to be cut to obtain the correct depth for the vehicle. After trimming to the appropriate length, drill 3/8" holes in ends to mount to brackets. Install as normal.



3/8"

