



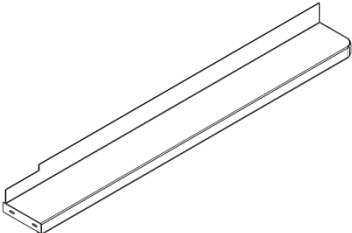
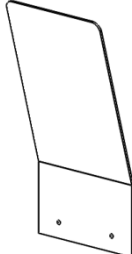
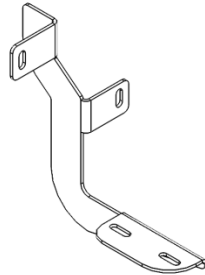
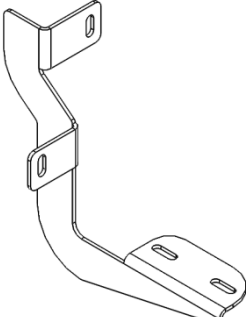
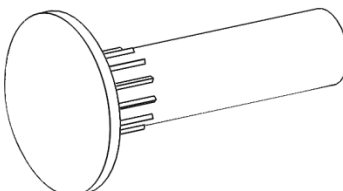
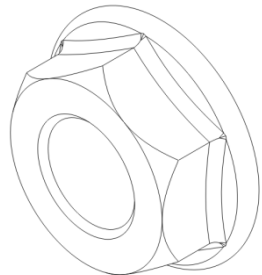
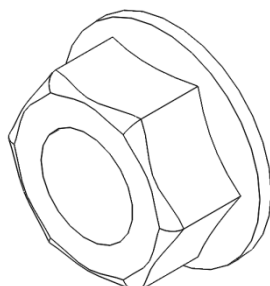
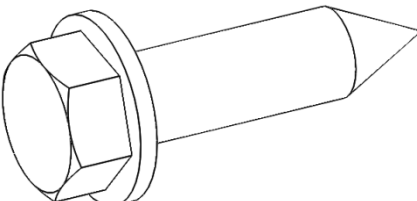
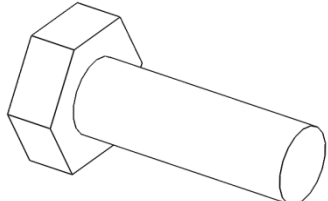
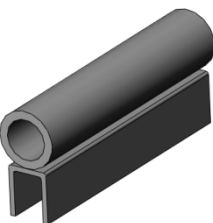
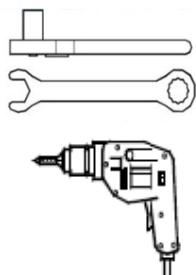
Dee Zee Running Board Installation Instructions

Congratulations on your purchase of a quality Dee Zee product. Dee Zee is recognized as having the highest quality running boards and accessories on the market today. We have earned this reputation by offering our customers a product they can be proud to place on their vehicles. Dee Zee meets all the criteria of manufacturing a custom-fit product which guarantees it to be the easiest product to install.

Note: Please take time to read all of the instructions before beginning this installation.

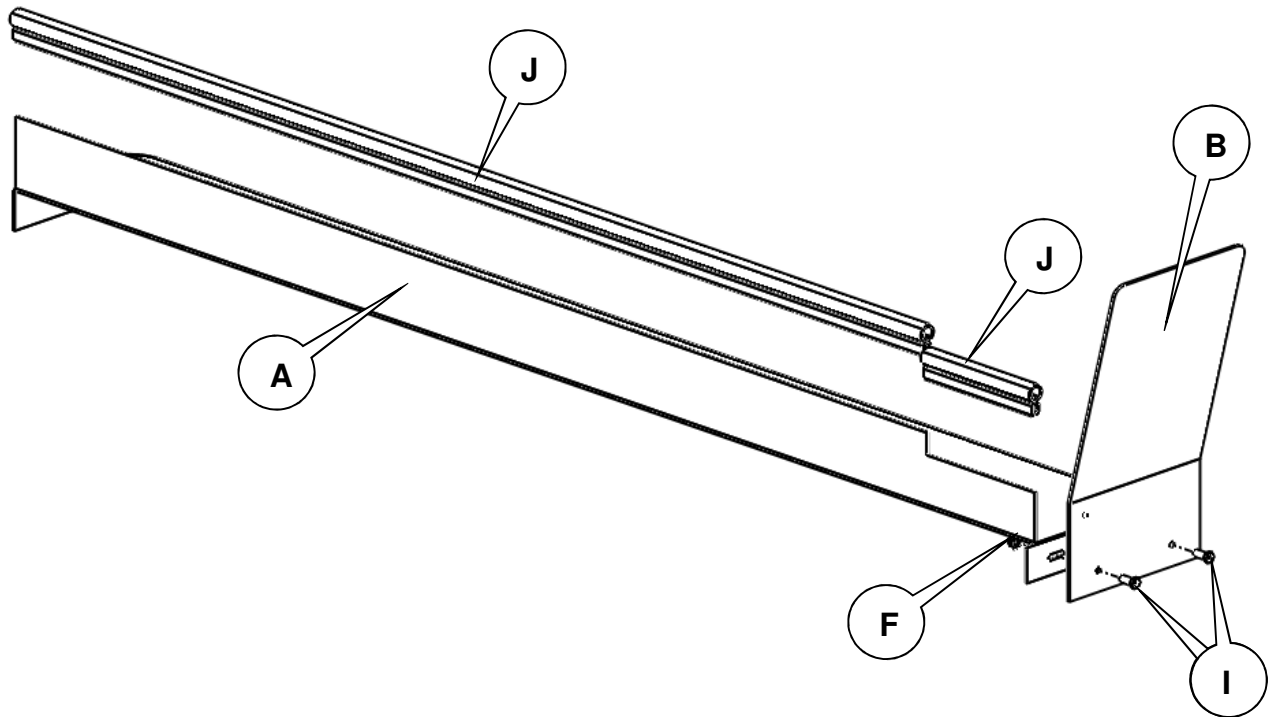
Cleaning instructions: To maintain the bright finish of your Dee Zee Brite-Tread, clean with a mild detergent and use a high grade automotive type wax. **DO NOT USE ABRASIVE CLEANERS ON THIS PRODUCT!**

DZ 2053 (2015-Current) Ford F150 Regular Cab

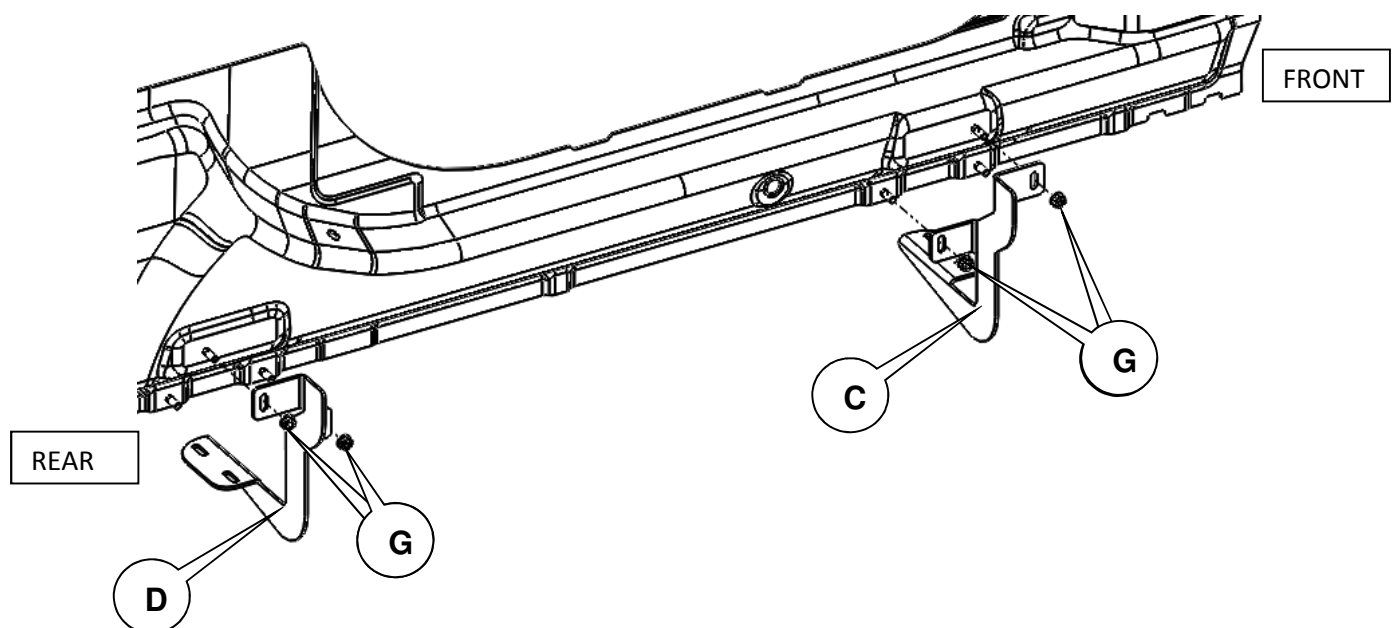
| | | |
|---|---|---|
| <p>A Running Board</p>  <p>BD 2053LW / 2053RW 1L / 1R</p> | <p>B Britetread Mudflap</p>  <p>FP0300 X2</p> | <p>C Front Bracket</p>  <p>B 2292LP X2</p> |
| <p>D Rear Bracket</p>  <p>B 2292RP X2</p> | <p>E 1/4"-20 x 1" Ribneck Carriage Bolt</p>  <p>PN 87 X8</p> | <p>F 1/4"- 20 Hex Lock Nut</p>  <p>PN 178 X12</p> |
| <p>G M8 Hex Flange Paint Clearing Nut</p>  <p>PN 1140 X8</p> | <p>H 1/4" X 1" Sheet Metal Screw</p>  <p>PN 97 X4</p> | <p>I 1/4"-20 x 3/4" Hex Head Bolt</p>  <p>PN 70 X4</p> |
| <p>J Bulb-Seal Gasket</p>  <p>GSK-41 10.5 ft.</p> | <p style="text-align: center;">Tools Required</p> <p style="text-align: center;">Ratchet / Wrench 10mm / 15mm / 13mm 7/16" 3/8"</p> <p style="text-align: center;">Drill 1/4" drill bit, 3/16" drill bit</p>  | |

1

Cut each Bulb Seal Gasket (J) into two pieces, with one piece being 7 inches and the other piece being 55 inches. Assemble each running board using one Brite-Tread Running Board (A), one 55 inch piece of Bulb Seal Gasket (J), one 7 inch piece of Bulb Seal Gasket (J), one Brite-Tread Mud Flap (B), two 1/4"-20 X 3/4" Hex Head Bolts (I), and two 1/4"-20 Hex Lock Nuts (F).

**2**

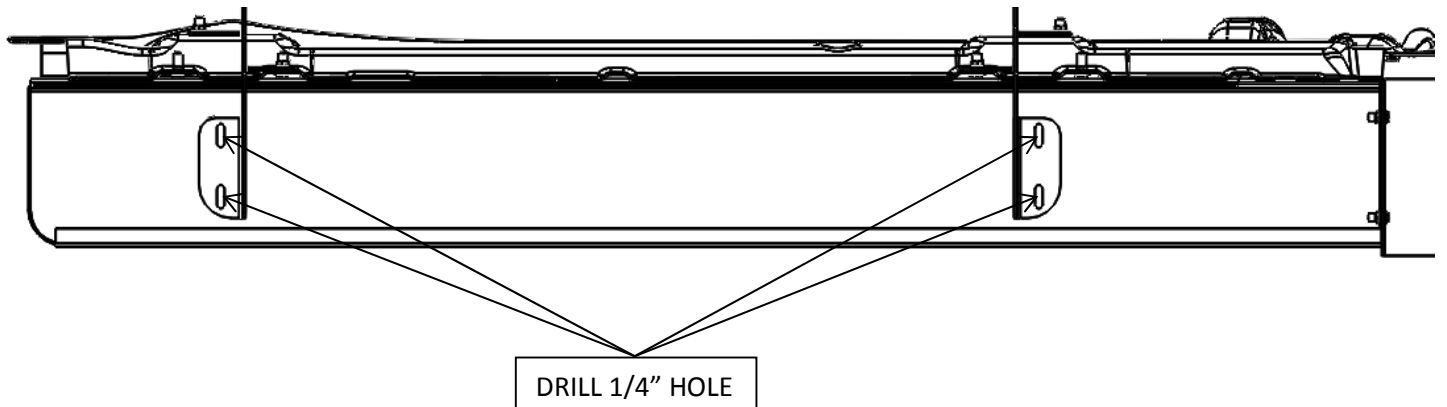
The Driver's Side is shown below. Attach one Front Bracket (C) and one Rear Bracket (D) to the locations as shown below using two M8 Paint Clearing Nuts (G) at each location. Tighten with a 13mm wrench or ratchet.



3

Put the Brite-Tread Running Board (A) onto the braces. Move the running board front to back so that the Mud Flap on the running board lines up with the wheel well. With a 1/4" drill bit, drill where the slots on the running board line up as shown below.

NOTE: MAKE SURE THAT THE RUNNING BOARD IS BEHIND THE DOOR SEAL.

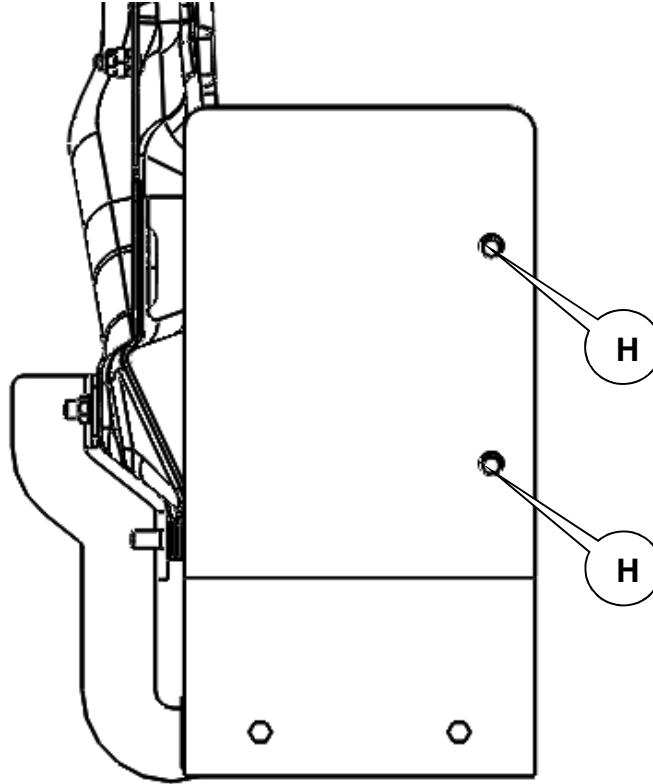


4

Attach the Brite-Tread Running Board to the braces using four 1/4"-20 X 1" Carriage Bolts (E) and four 1/4"-20 Hex Lock Nuts (F). Tighten using a 7/16" wrench or ratchet.



- 5** Attach the Mud Flap (B) to the wheel well by drilling two 3/16" holes using a drill through the mud flap and wheel well at the approximate locations as shown. Insert two 1/4" x 1" Sheet Metal Screws (H) and tighten using a 7/16" wrench or ratchet.



-
- 6** Repeat Steps 1-5 for the Passenger's Side.