



**PLEASE INSPECT YOUR PRODUCT FOR DAMAGE
BEFORE PROCEEDING TO INSTALLATION.**

INSTRUCTIONS FOR RETURNS:

ALL PRODUCTS NEED RETURNED TO POINT OF PURCHASE
FOR WARRANTY DEFECTS, DAMAGES, OR RETURNS.





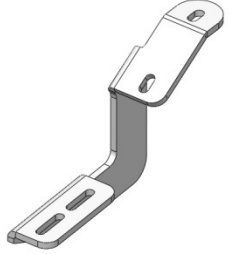
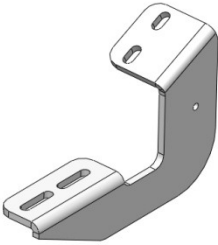
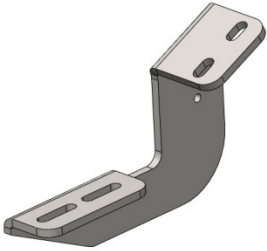

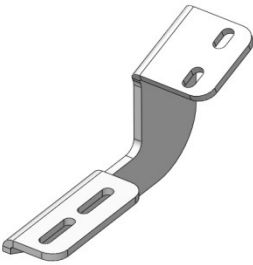
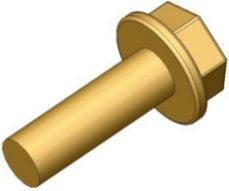

Dee Zee Running Board Installation Instructions

Congratulations on your purchase of a quality Dee Zee product. Dee Zee is recognized as having the highest quality running boards and accessories on the market today. We have earned this reputation by offering our customers a product they can be proud to place on their vehicles. Dee Zee meets all the criteria of manufacturing a custom-fit product which guarantees it to be the easiest product to install.

Note: Please take time to read all of the instructions before beginning this installation.

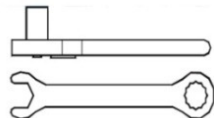
Cleaning instructions: To maintain the bright finish of your Dee Zee running board, clean with a mild detergent and use a high-grade automotive type wax. **DO NOT USE ABRASIVE CLEANERS ON THIS PRODUCT!**

NXt Running Board (2007 – Current) Tundra Pickup

<p>A NXt Running Board</p>  <p>Various X2</p>	<p>B Rocker Panel Mounting Bracket</p>  <p>B 1903LP X1</p>	<p>C Driver Side Bracket</p>  <p>B 1903RP X1</p>
<p>D Passenger Side Bracket</p>  <p>B1904LP X1</p>	<p>E Passenger Side Bracket</p>  <p>B 1904RP X1</p>	<p>F Passenger Side Bracket</p>  <p>B 1905LP X1</p>
<p>G Passenger Side Bracket</p>  <p>B 1905RP X1</p>	<p>H 8mm X 25mm Flange Head Bolt</p>  <p>PN 525 X12</p>	<p>I 8mm Hex Flange Nut</p>  <p>PN 526 X12</p>

Tools Required

Ratchet / Wrench
13mm

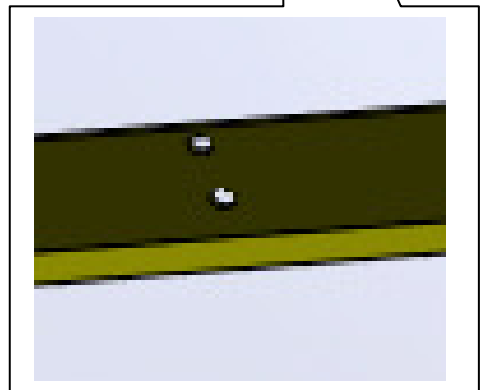
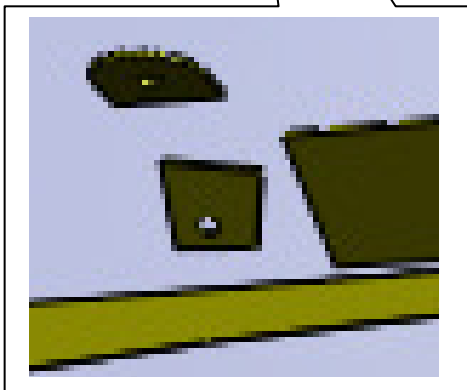
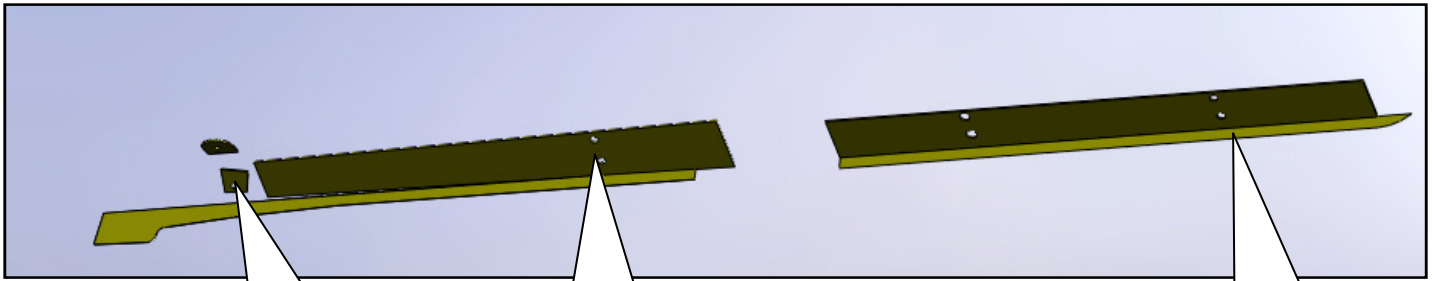


1

Passenger Side Shown

Front

Rear



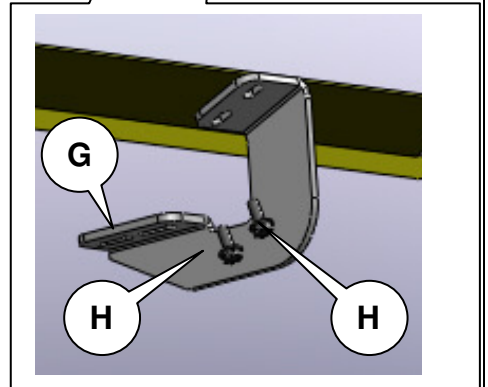
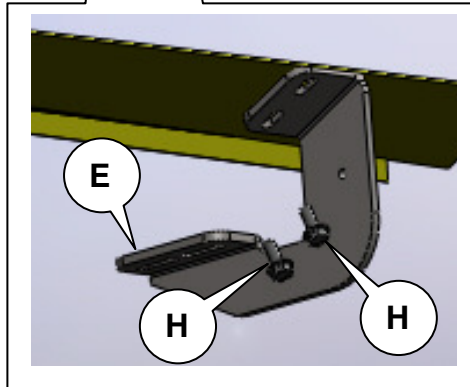
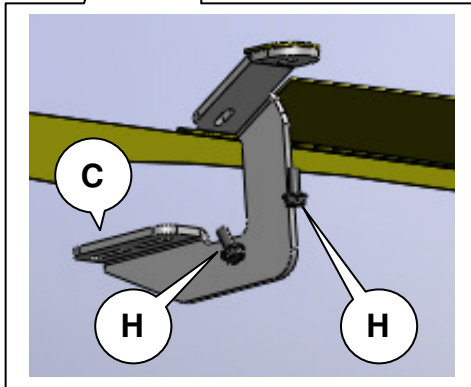
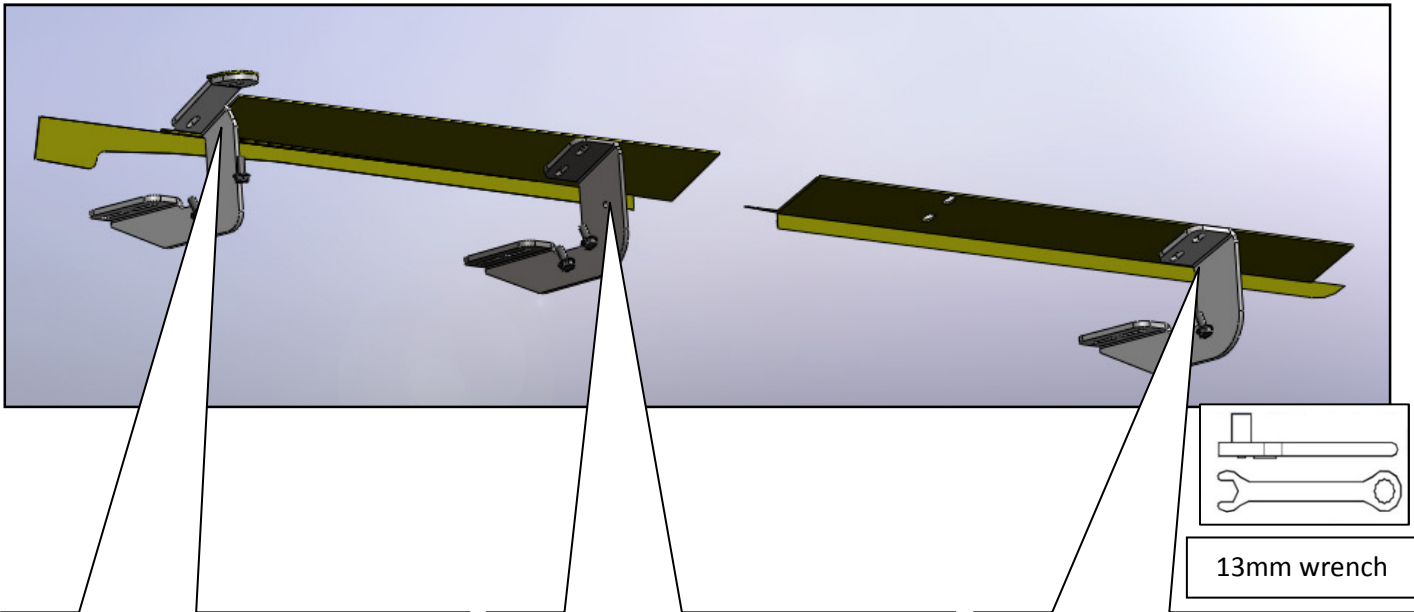
NOTE: The vehicle will have preset threads in this location for mounting the running board bracket.

NOTE: The vehicle will have preset threads in this location for mounting the running board bracket.

NOTE: The vehicle will have preset threads in this location for mounting the running board bracket.

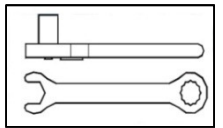
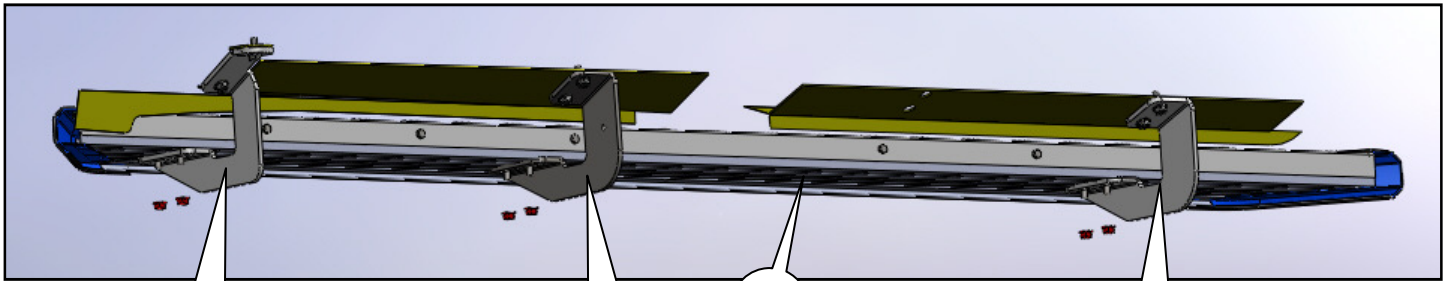
NOTE: FOR STANDARD CAB APPLICATIONS, THE MIDDLE BRACES (D & E) WILL BE USED AS THE REAR BRACE. THE STANDARD CAB WILL ONLY USE 2 BRACES PER SIDE, THEREFORE BRACES F & G MAY BE DISCARDED.

2

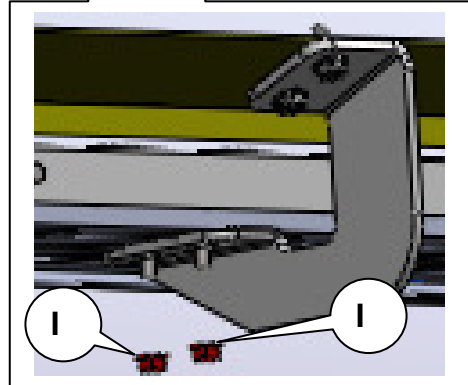
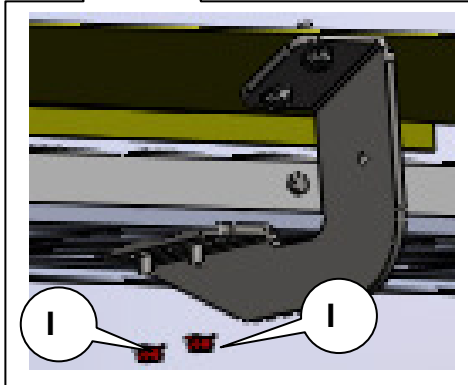
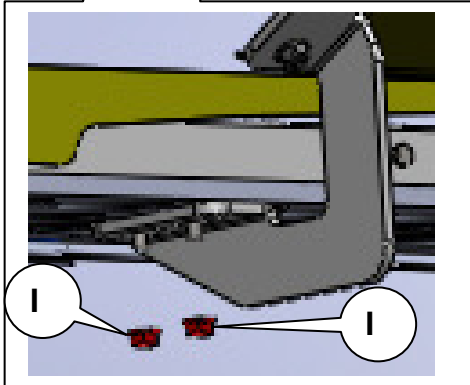


NOTE: THE MIDDLE BRACKET
CONTAINS AN INDICATOR HOLE TO
DIFFERENTIATE FROM REAR
BRACKET.

3



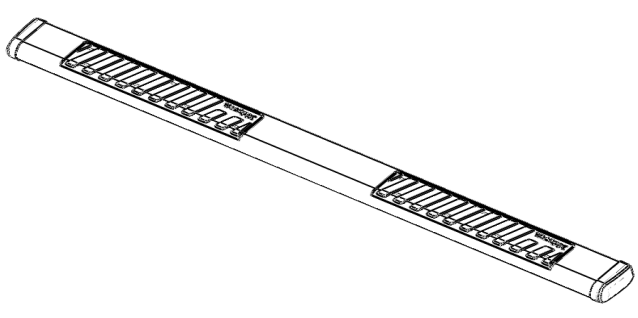
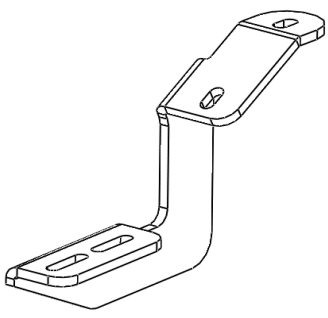
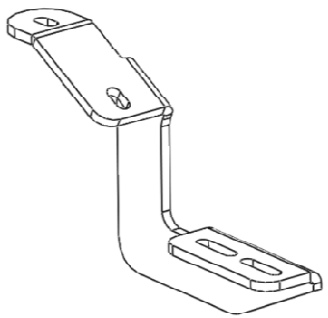
13mm wrench

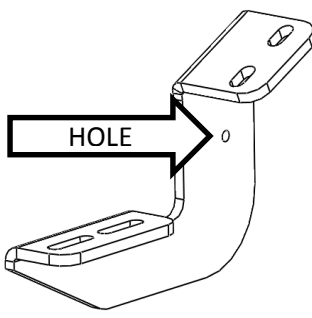
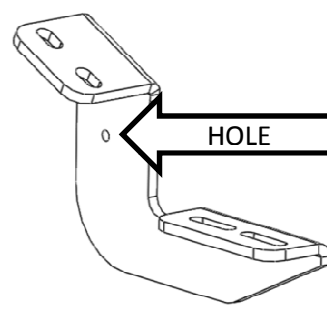
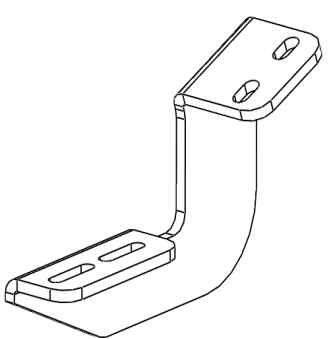
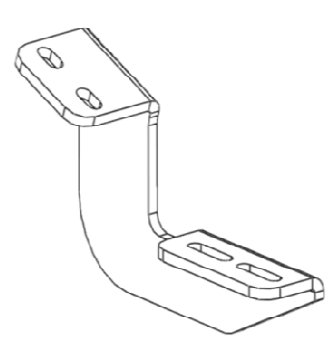


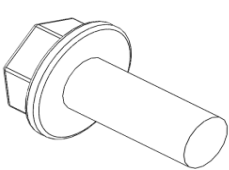
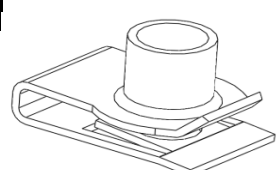
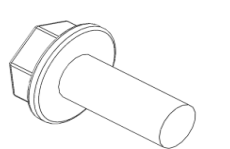
4

REPEAT STEPS 1-3 FOR DRIVER SIDE USING BRACKETS B, D, AND F.

6" OVAL SIDE STEP INSTALLATION TOYOTA TUNDRA 2009-CURRENT

<p>A SIDE STEP TUBE</p>  <p>*** TUBES SOLD SEPARATELY</p> <p>VARIOUS X2</p>	<p>B PASSENGER FRONT BRACE</p>  <p>B 1903RP X1</p>	<p>C DRIVER FRONT BRACE</p>  <p>B 1903LP X1</p>
---	---	---

<p>D PASSENGER MIDDLE BRACE</p>  <p>HOLE</p> <p>NOTE: THE MIDDLE BRACE HAS A HOLE TO IDENTIFY IT.</p> <p>B 1904RP X1</p>	<p>E DRIVER MIDDLE BRACE</p>  <p>HOLE</p> <p>NOTE: THE MIDDLE BRACE HAS A HOLE TO IDENTIFY IT.</p> <p>B 1904LP X1</p>	<p>F PASSENGER REAR BRACE</p>  <p>B 1905RP X1</p>	<p>G DRIVER REAR BRACE</p>  <p>B 1905LP X1</p>
---	--	---	---

<p>H 8mm X 25mm FLANGE HEAD BOLT</p>  <p>PN 525 X12</p>	<p>I 8mm U-NUT</p>  <p>FROM TUBE BOLT PACK X8 X12</p>	<p>J 8mm X 20mm FLANGE HEAD BOLT</p>  <p>FROM TUBE BOLT PACK X8 X12</p>	
---	---	--	--

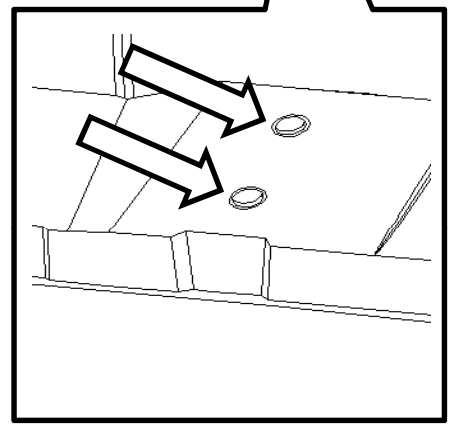
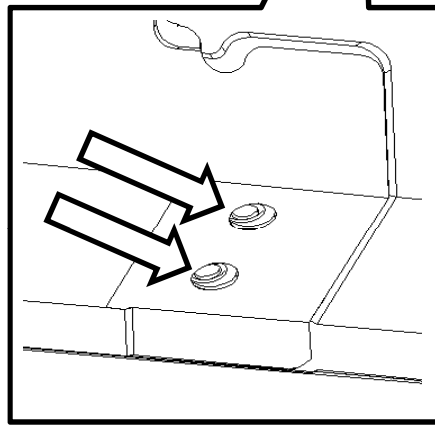
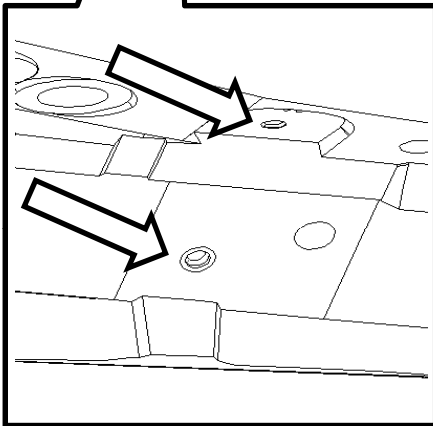
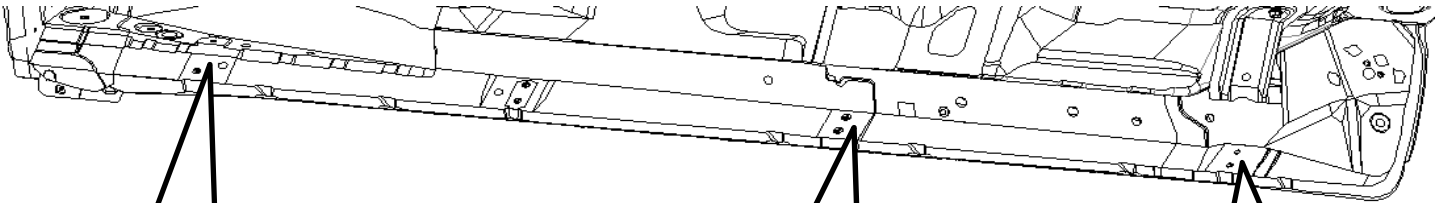
TOOLS REQUIRED

WRENCH/RATCHET

13mm



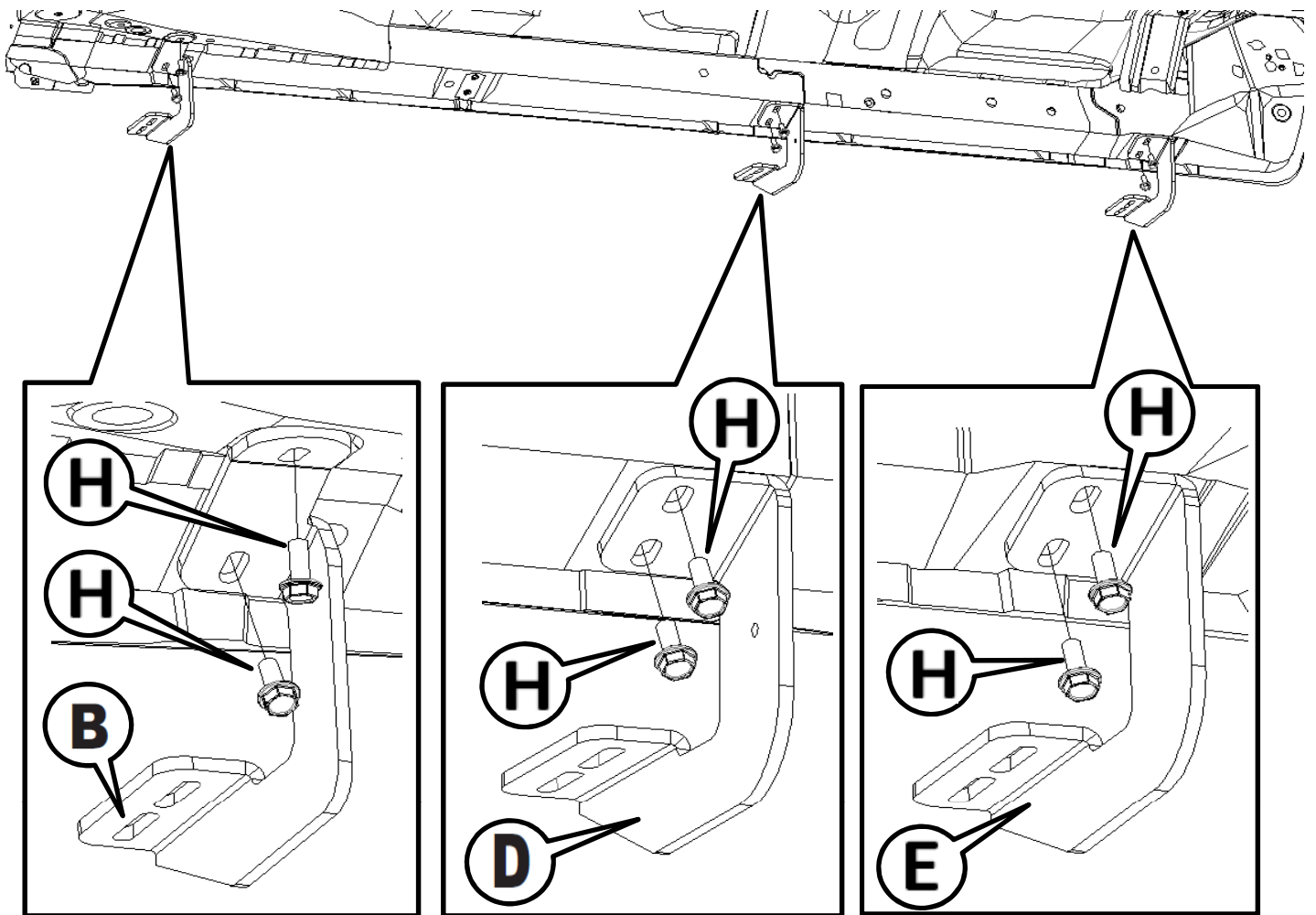
- 1 Locate the brace mounting location under the rocker panel.
The passenger side of the crew cab is shown. The front of the vehicle is to the left in the picture.



The regular cab will only have 2 mounting location. It will use the front and middle brace.
For regular cab installations, the rear brace can be discarded.

Your vehicle may already have bolts in the mounting locations. If it does, remove and discard these bolts.

2 Attach the brackets as shown below using the long 8mm bolt [H].



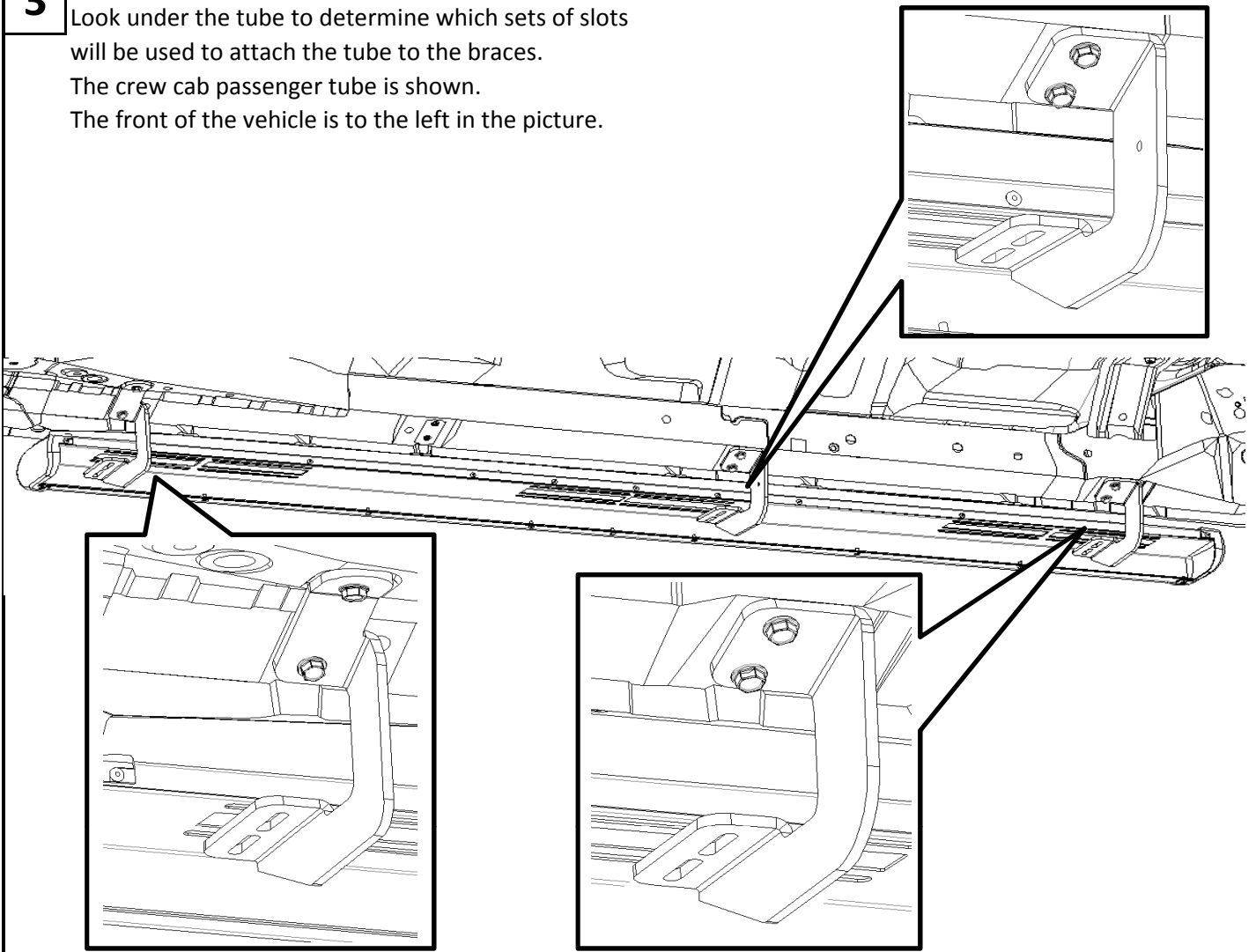
Tighten bolts with a 13mm Socket or wrench.

3 Once the brackets are in place, set the tube on the braces and adjust as necessary front to back.

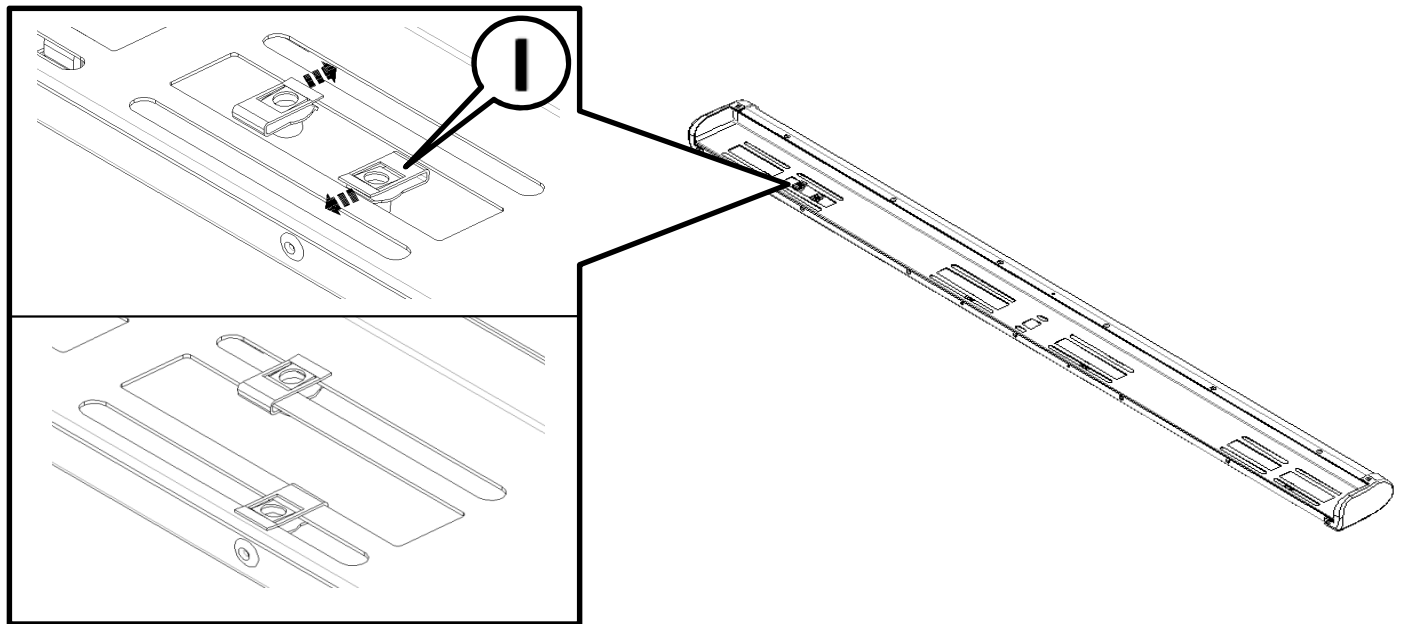
Look under the tube to determine which sets of slots will be used to attach the tube to the braces.

The crew cab passenger tube is shown.

The front of the vehicle is to the left in the picture.

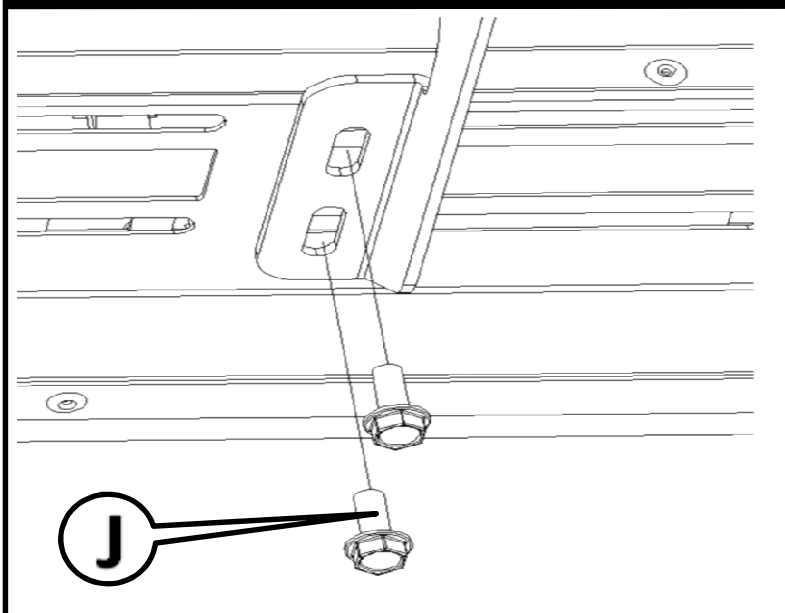
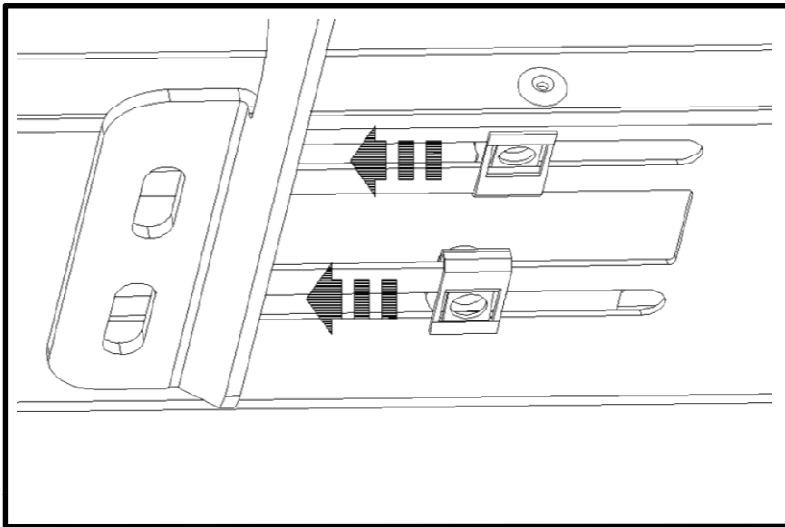
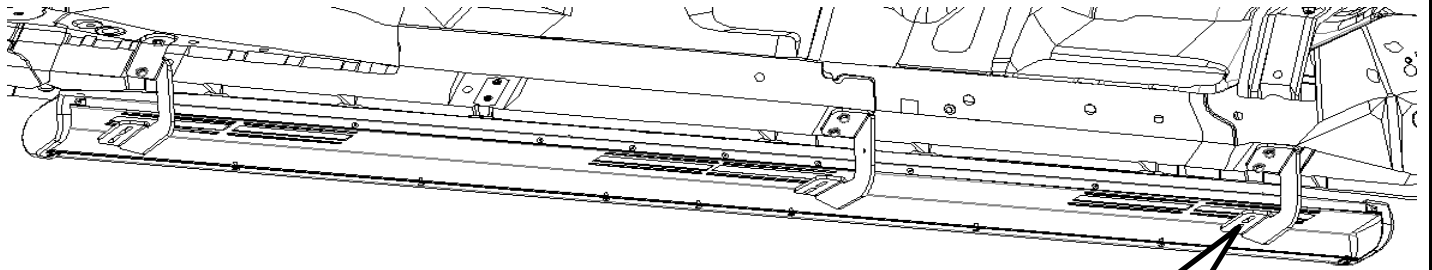


4 Remove the tube and install the 8mm U-nuts [I] that were supplied with the tubes into the slots identified in the previous step. Use 2 U-nuts per brace location.



5 Set the tube back on the brackets and slide the U-nuts in the tube slots so that they align with the mounting slots in the braces. Repeat at all mounting locations.

Attach the tube to the braces using the 8mm x 20mm bolts [J] that were supplied with the tube step. Tighten bolts with a 13mm wrench or socket. Repeat at all mounting locations.



Make sure all bolts are tightened. Repeat steps for other side.