



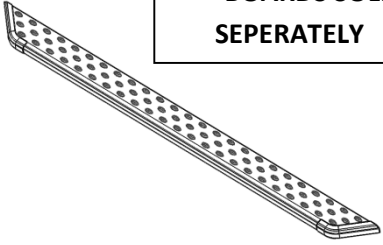
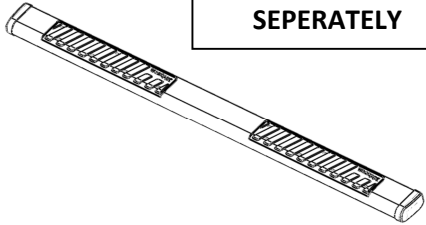
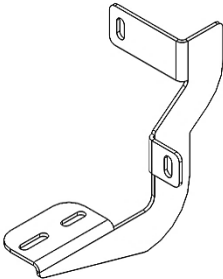
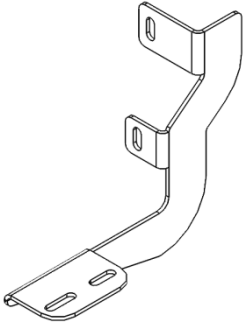
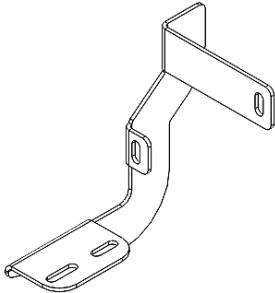
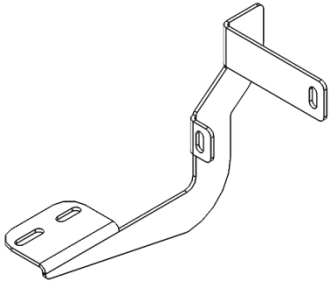
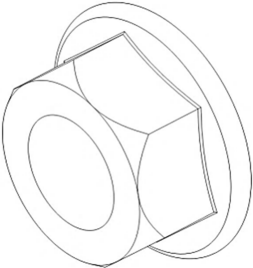
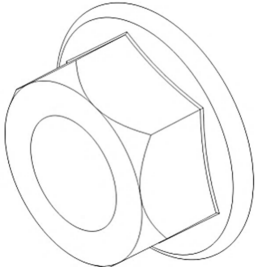
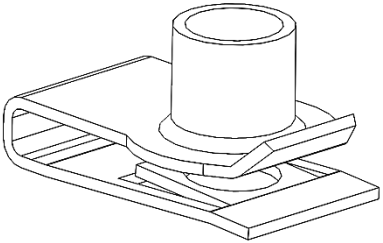
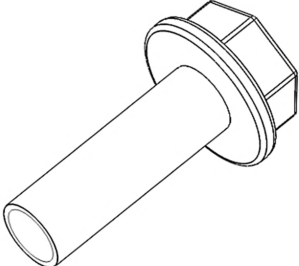
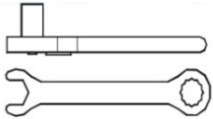
Dee Zee Running Board Installation Instructions

Congratulations on your purchase of a quality Dee Zee product. Dee Zee is recognized as having the highest quality running boards and accessories on the market today. We have earned this reputation by offering our customers a product they can be proud to place on their vehicles. Dee Zee meets all the criteria of manufacturing a custom-fit product which guarantees it to be the easiest product to install.

Note: Please take time to read all of the instructions before beginning this installation.

Cleaning instructions: To maintain the bright finish of your Dee Zee running board, clean with a mild detergent and use a high-grade automotive type wax. **DO NOT USE ABRASIVE CLEANERS ON THIS PRODUCT!**

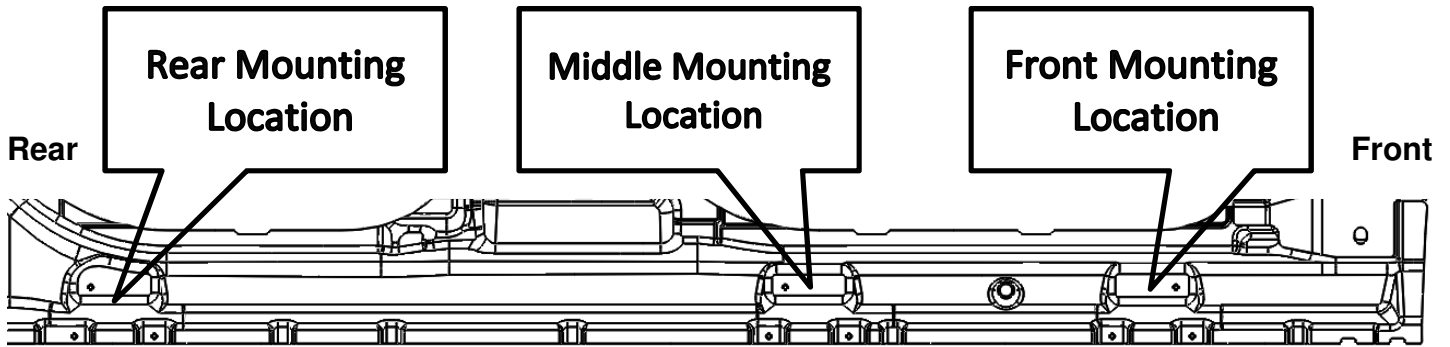
NXt Running Board / 6" Step Tube Installation Instructions DZ 16327 (2015-Current) FORD F150 Pickup

<p>A NXt Running Board</p> <div style="border: 1px solid black; padding: 5px; width: fit-content; margin: 10px auto;"> <p>***BOARDS SOLD SEPERATELY</p> </div>  <p>Various X2</p>	<p>B 6" Oval Step Tube</p> <div style="border: 1px solid black; padding: 5px; width: fit-content; margin: 10px auto;"> <p>***TUBES SOLD SEPERATELY</p> </div>  <p>Various X2</p>	<p>C Front Bracket</p>  <p>B 2286P X2</p>
<p>D Middle Driver Bracket</p>  <p>B 2287P X1</p>	<p>E Rear Bracket</p>  <p>B 2288LP X2</p>	<p>F Middle Passenger Bracket</p>  <p>B 2288RP X1</p>
<p>G M8 Hex Paint Clearing Nut</p>  <p>PN 1140 X12</p>	<p>H 8mm Hex Flange Nut</p>  <p>PN 526 X12</p>	<p>I 8mm U-Nut</p>  <p>PN 909 X12 come with Step Tube</p>
<p>J 8mm Hex Flange Bolt</p>  <p>PN 525 X12 come with Step Tube</p>	<p>Tools Required</p>  <p>Ratchet / Wrench 13mm</p>	

NOTE: Bracket kit does not support 2015 Ford F150 Regular Cab NXT.

NOTE: FOR REGULAR CAB AND SUPERCAB, THE MIDDLE BRACKET LOCATION IS NOT AVAILABLE. PROCEED AS DIRECTED USING FRONT AND REAR MOUNTING LOCATIONS. The Middle Brackets (D) and (E) and extra hardware may be discarded.

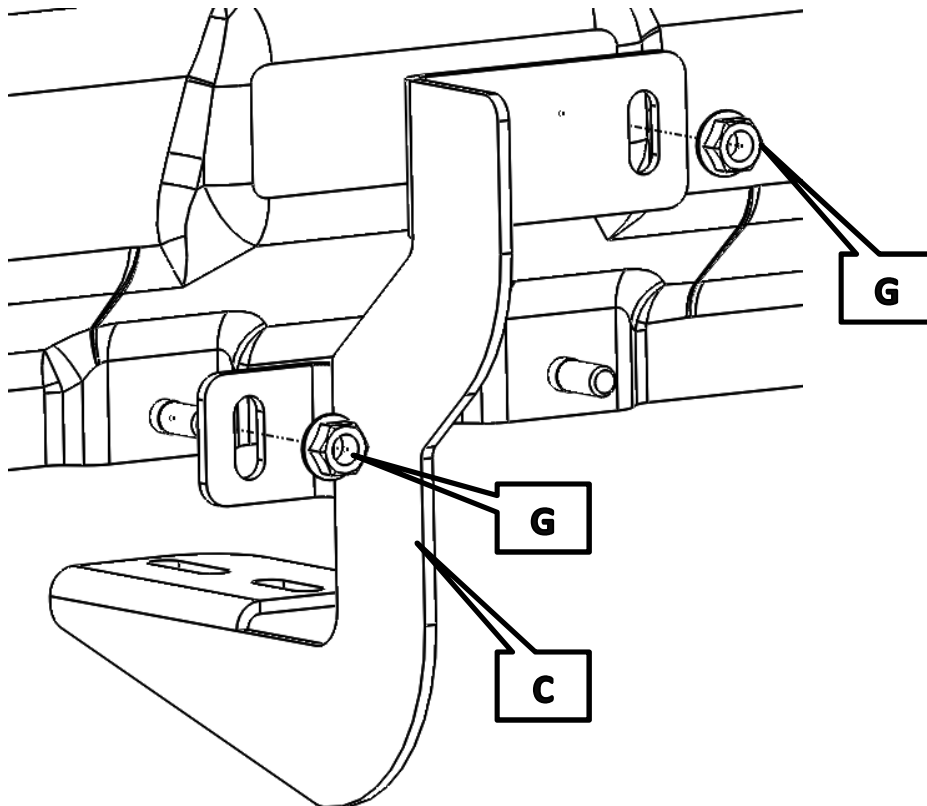
1



Driver's Side SuperCrew Shown Above

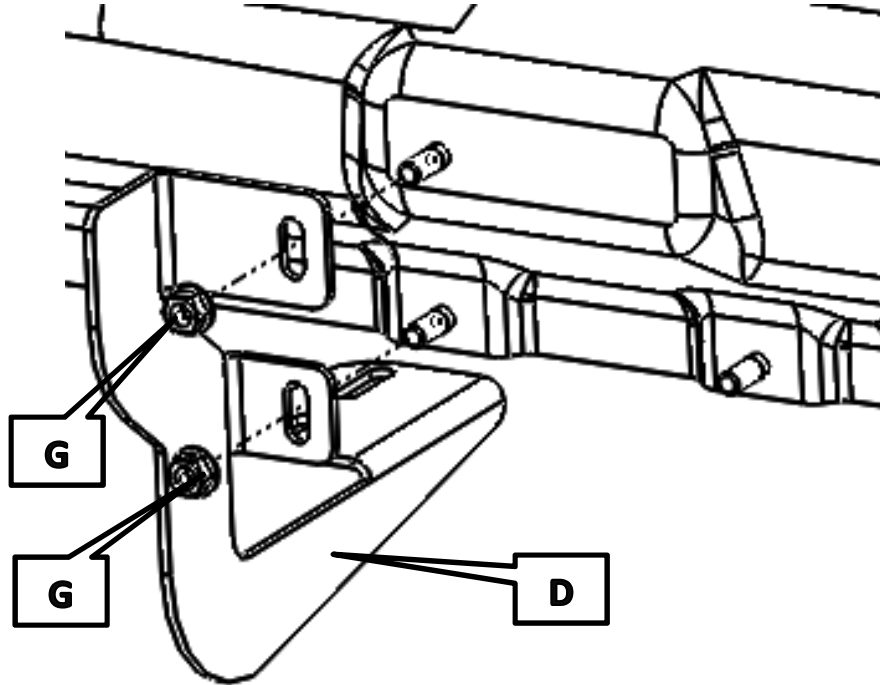
2

Attach the Front Bracket (C) to the Front Mounting Location on both sides with two M8 Nuts (G) by using a 13mm ratchet or wrench. Do not completely tighten the nuts at this time.



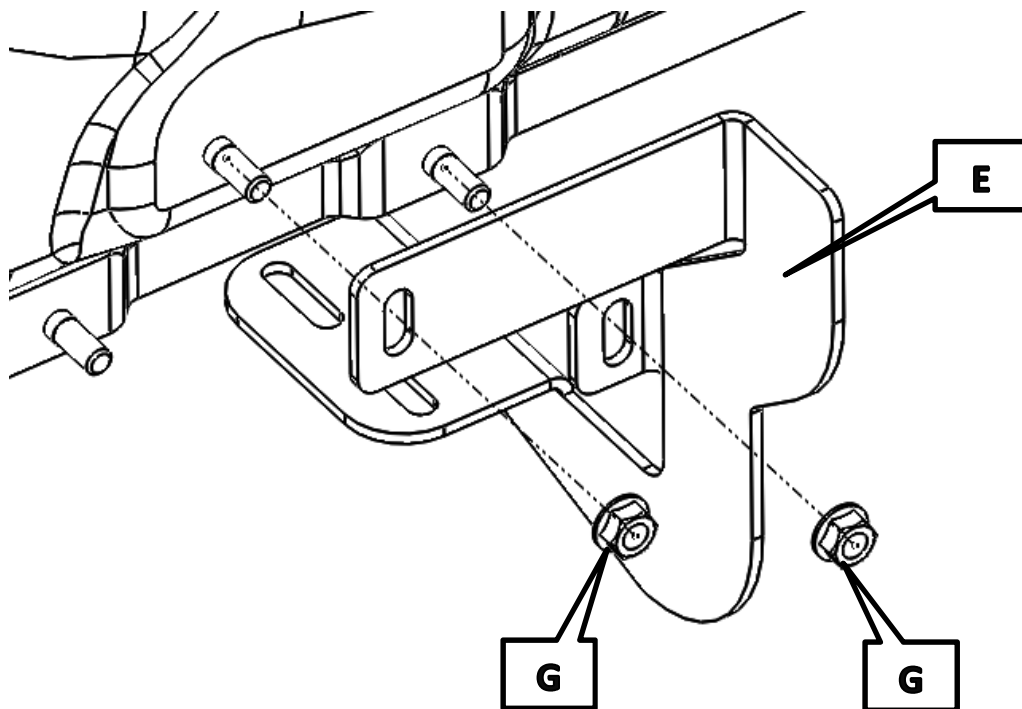
3

Attach the Middle Driver Bracket (D) to the Middle Mounting Location on the Driver's Side with two M8 Nuts (G) by using a 13mm ratchet or wrench. Do not completely tighten the nuts at this time. **NOTE: SKIP THIS STEP IF THE TRUCK IS A REGULAR OR SUPERCAB.**



4

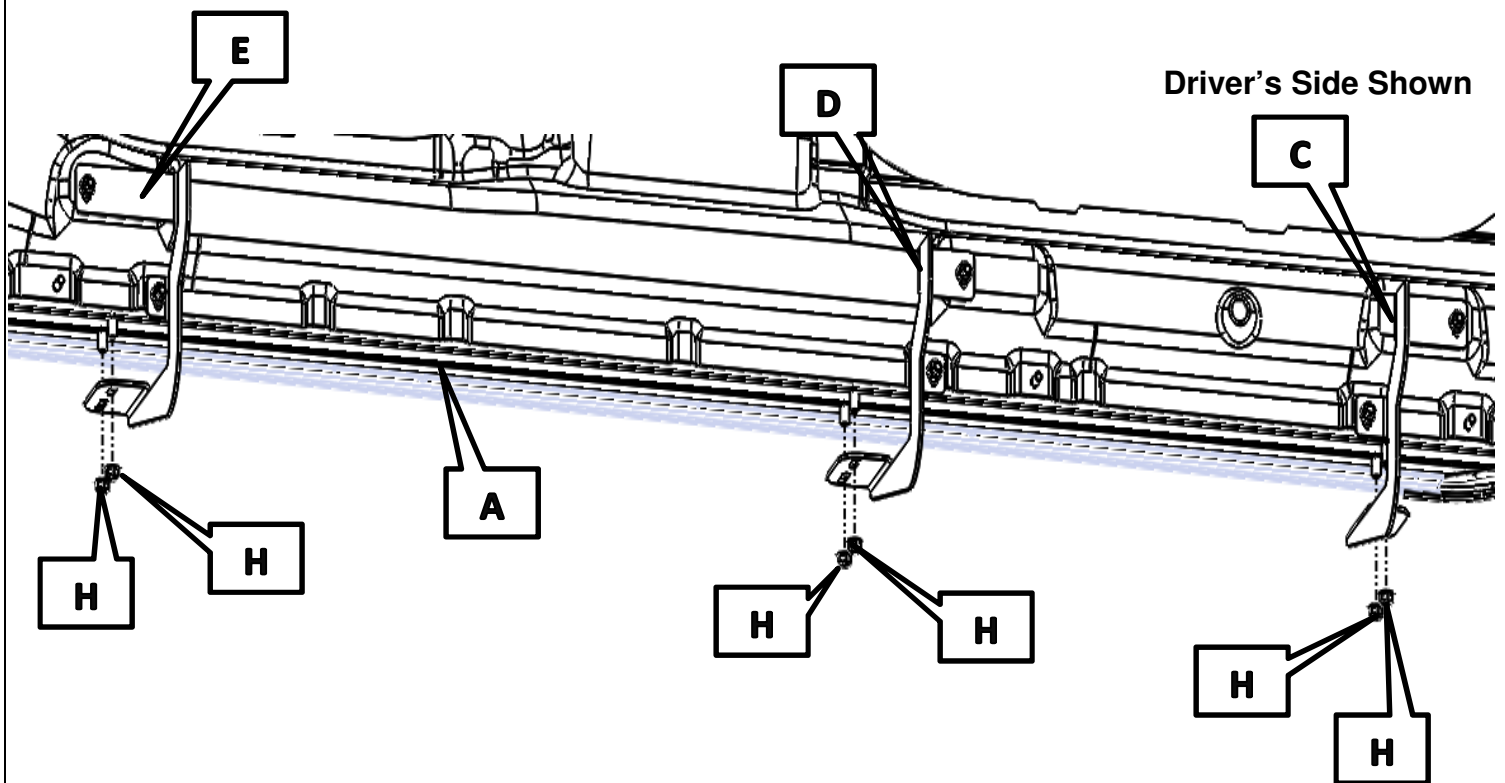
Attach the Rear Bracket (E) to the Rear Mounting Locations on both sides with two M8 Nuts (G) by using a 13mm ratchet or wrench. Do not completely tighten the nuts at this time.



- 5** Attach the Middle Passenger Bracket (F) to the Middle Mounting Location on the Passenger's Side with two M8 Nuts (G) by using a 13mm ratchet or wrench. Do not completely tighten the nuts at this time. **NOTE: SKIP THIS STEP IF THE TRUCK IS A REGULAR OR SUPERCAB.**

- 6a** This step is for installing NXt Running Boards ONLY. Go to 6b for Step Tubes.

Attach the NXt Running Board (A) to the braces. Move the bolts that are attached in the channels of the board so that they are in the slots of the brackets. Attach the M8 Nuts (H) using a 13 mm ratchet or wrench to the bolts once they are through the slot. Do not completely tighten the nuts at this time. Repeat on other side.



- 7a** This step is for installing NXt Running Boards ONLY. Go to 6b for Step Tubes.

Adjust the board as necessary front to back. Once the board is in the desired location front to back, tighten the nuts (H) that connect the board to braces. Repeat for other side.

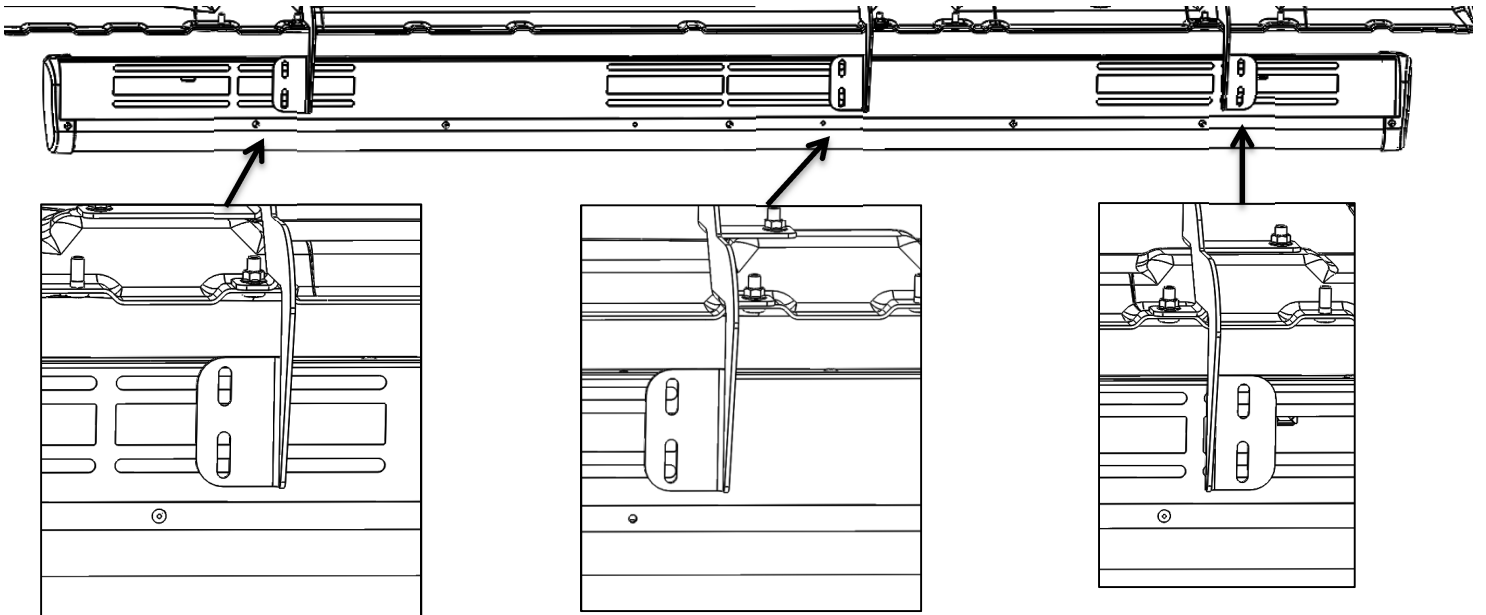
Adjust the board as necessary up and down. Once the board is in the desired location up and down, tighten the nuts (G) that connect the braces to the truck. Repeat for the other side.

6b This step is for installing 6" Oval Step Tubes ONLY. Go to 6a for NXt Running Boards.

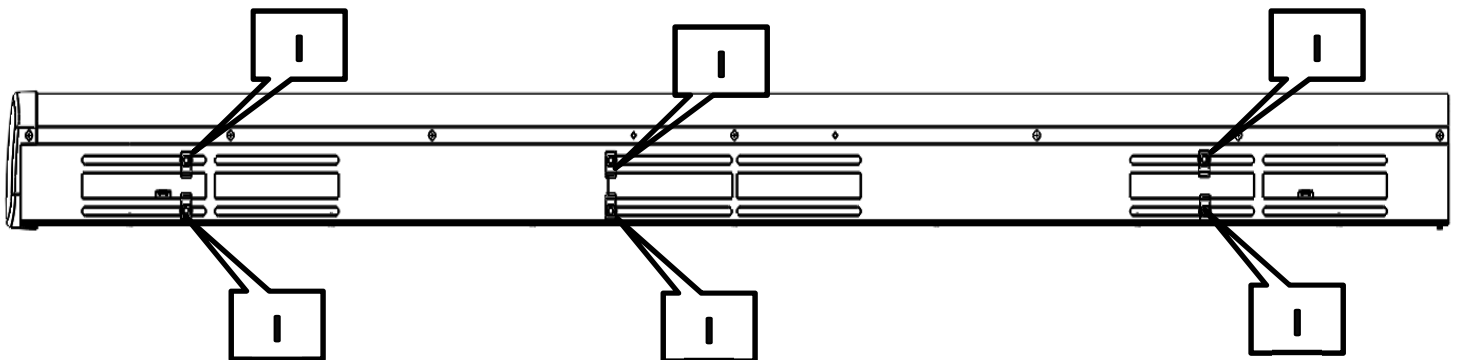
Set the tube on the brackets and adjust as necessary front to back. Look under the tube to determine which sets of slots will be used to attach the tube to the braces.

Rear

Front



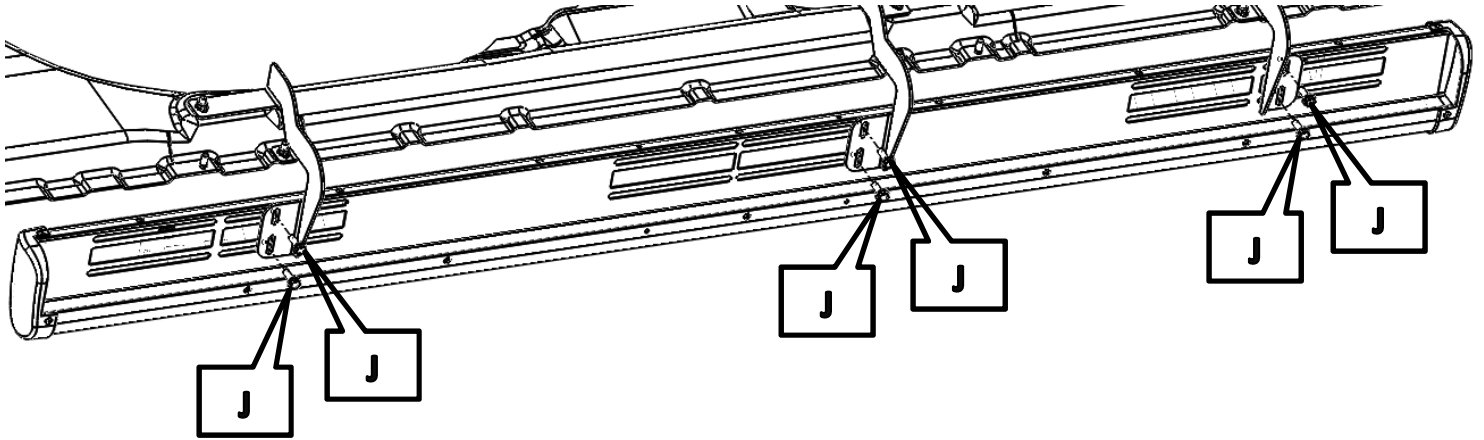
Remove the tube and install the 8mm U-nuts that come with the Step Tubes (I) into the slots identified above. Use 2 U-nuts per brace location. Repeat on other side



7b

This step is for installing 6" Oval Step Tubes ONLY. Go to 6a for NXt Running Boards.

Attach the tube to the braces using the 8mm x 20 mm Bolt that come with the Step Tubes (J). Tighten bolts with a 13mm wrench or socket. Repeat for other side.



Adjust the tube as necessary up and down. Once the tube is in the desired location up and down, tighten the nuts (G) that connect the braces to the truck. Repeat for the other side.