



## Dee Zee Running Board Installation Instructions

*Congratulations on your purchase of a quality Dee Zee product. Dee Zee is recognized as having the highest quality running boards and accessories on the market today. We have earned this reputation by offering our customers a product they can be proud to place on their vehicles. Dee Zee meets all the criteria of manufacturing a custom-fit product which guarantees it to be the easiest product to install.*

**Note: Please take time to read all of the instructions before beginning this installation.**

**Warning! Please check for wiring or other obstructions before drilling any holes into the vehicle. If it is necessary to drill any holes into the vehicle, Dee Zee recommends putting a sealant or rust inhibitor around all holes drilled into the body of the vehicle.**

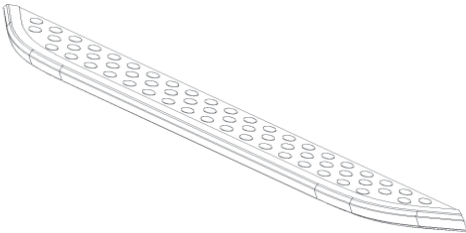
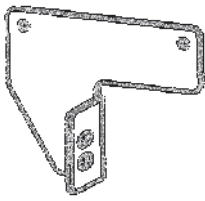

**Warning! It is the sole responsibility of the vehicle owner to check for tire clearance.**

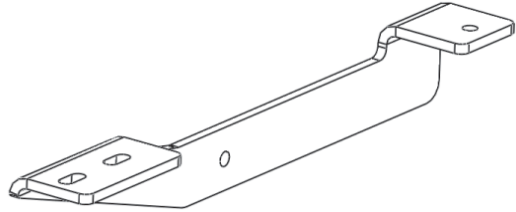
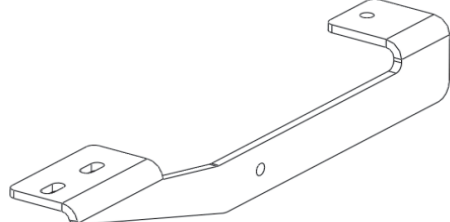
**Warning! It is unlawful and dangerous to ride on running boards or side box boards while the vehicle is in motion.**

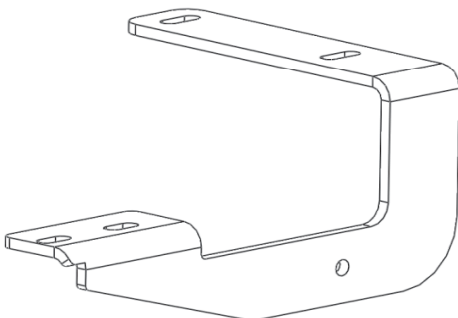
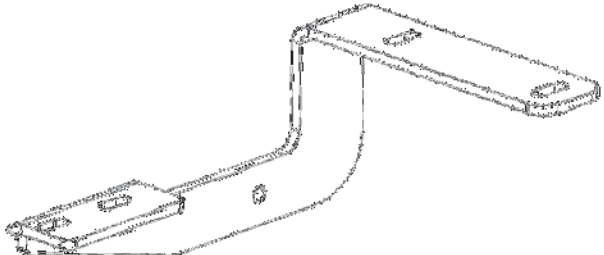
**Cleaning Instructions: To maintain the bright finish of your Dee Zee running boards, clean with a mild detergent. For our stainless steel products and accessories, the application of a high grade automotive type wax is recommended.**



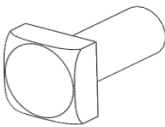

# DZ 16241

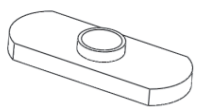
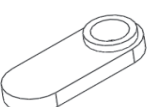
## DODGE DURANGO / JEEP CHEROKEE 2011-CURRENT

<p><b>A</b></p> <p style="text-align: center;">*SOLD SEPARATELY FROM THIS KIT*</p>  <p>DZ 16201 DZ 16202 DZ 16203</p> <p style="text-align: right;"><b>X2</b></p>	<p><b>B</b></p> <p style="text-align: center;">MOUNTING BRACKET</p>  <p>B 2045P</p> <p style="text-align: right;"><b>X4</b></p>	<p><b>C</b></p> <p style="text-align: center;">BOLT PLATE</p>  <p>PN 197</p> <p style="text-align: right;"><b>X4</b></p>
--	---	---

<p><b>D</b></p> <p style="text-align: right;">LEFT FRONT BRACE</p>  <p>B 2047LP</p> <p style="text-align: right;"><b>X1</b></p>	<p><b>E</b></p> <p style="text-align: right;">RIGHT FRONT BRACE</p>  <p>B 2047RP</p> <p style="text-align: right;"><b>X1</b></p>
--	--

<p><b>F</b></p> <p style="text-align: right;">LEFT REAR BRACE</p>  <p>B 2046LP</p> <p style="text-align: right;"><b>X1</b></p>	<p><b>G</b></p> <p style="text-align: right;">RIGHT REAR BRACE</p>  <p>B 2046RP</p> <p style="text-align: right;"><b>X1</b></p>
---	---

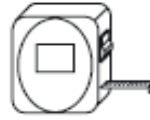
<p><b>H</b></p> <p style="text-align: center;">8mm BOLT</p>  <p>PN 567</p> <p style="text-align: right;"><b>X8</b></p>	<p><b>I</b></p> <p style="text-align: center;">6mm NUT</p>  <p>PN 847-CHY</p> <p style="text-align: right;"><b>X8</b></p>	<p><b>J</b></p> <p style="text-align: center;">8mm SQUARE HEAD BOLT</p>  <p>PN 524</p> <p style="text-align: right;"><b>X8</b></p>	<p><b>K</b></p> <p style="text-align: center;">8mm NUT</p>  <p>PN 526</p> <p style="text-align: right;"><b>X12</b></p>
---	--	--	---

<p><b>L</b></p> <p style="text-align: center;">LARGE THREADED PLATE</p>  <p>PN 611</p> <p style="text-align: right;"><b>X2</b></p>	<p><b>M</b></p> <p style="text-align: center;">SMALL THREADED PLATE</p>  <p>PN 714</p> <p style="text-align: right;"><b>X2</b></p>
---	---

**TOOLS REQUIRED**

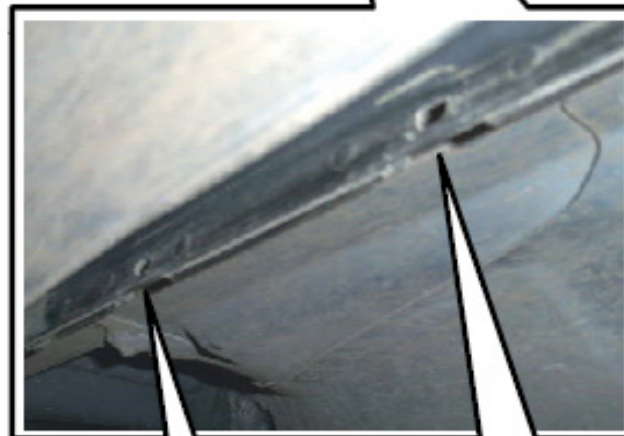
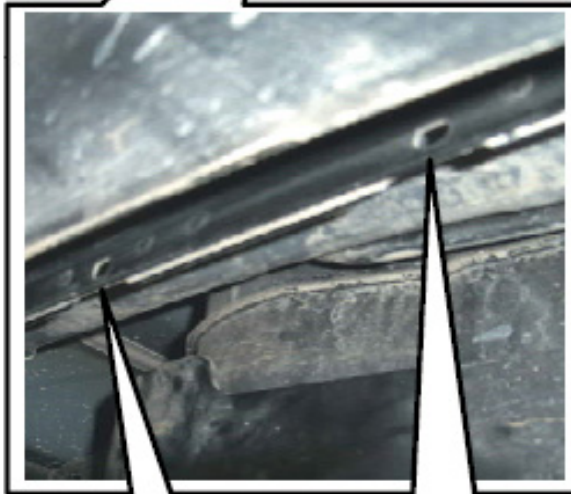
WRENCH/RATCHET  
10 mm, 13mm

TAPE  
MEASURE



**1**

Find the front and rear mounting location in the pinch weld as shown below.  
The driver's side is shown.



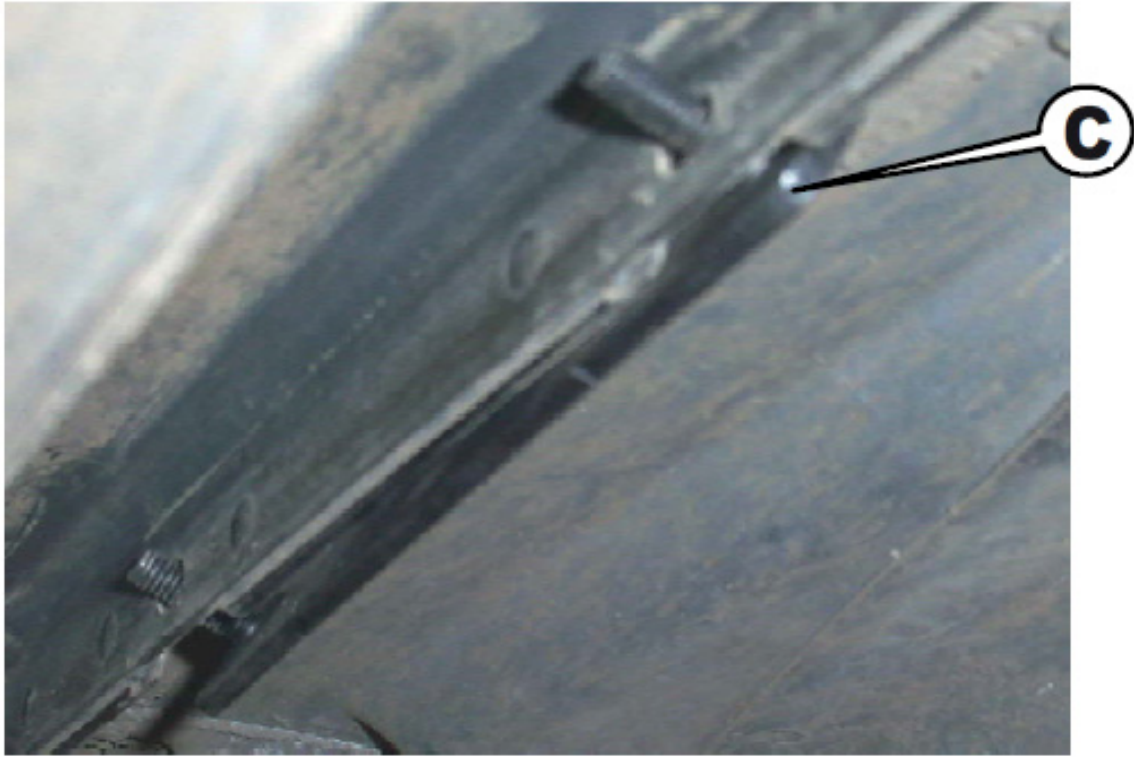
**Mounting  
Location**

**Mounting  
Location**

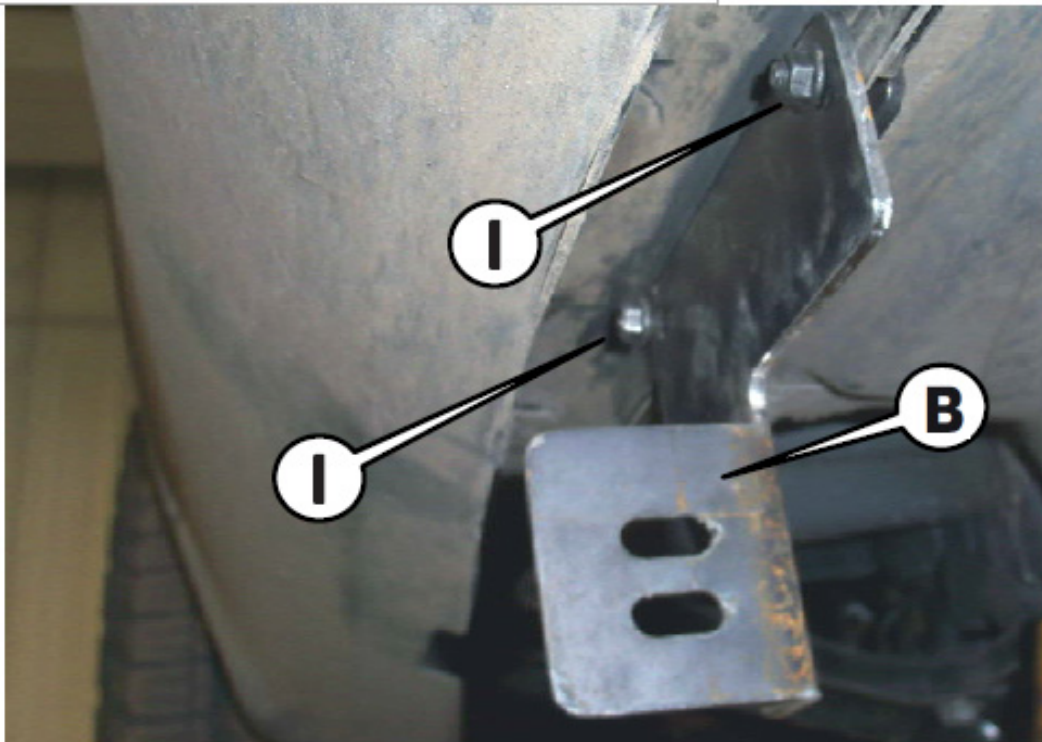
**Mounting  
Location**

**Mounting  
Location**

- 2** At each mounting location place a bolt plate into the holes in the pinch weld with the bolt studs pointing towards the outside of the vehicle.



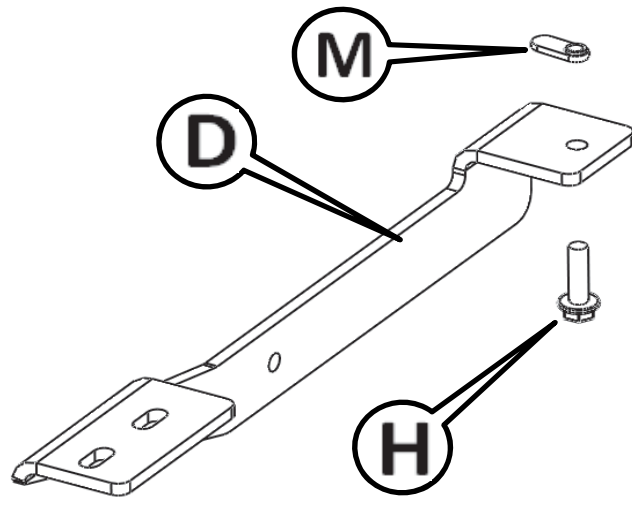
- 3** Attach mounting bracket [B] to the bolt plates using the 6mm nut [I]. Tighten with a 10mm wrench/socket.



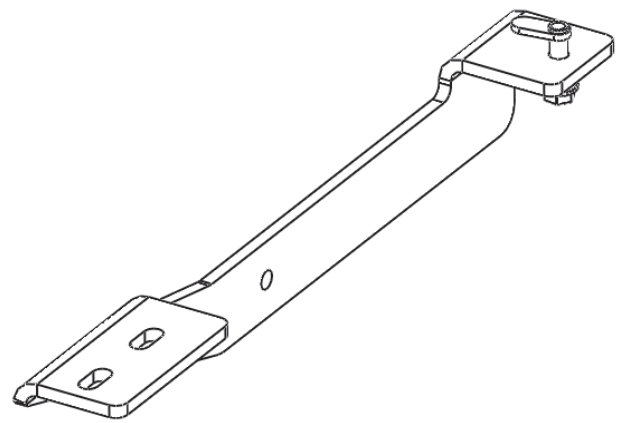
**4**

Thread the 8mm bolt [H] into the small threaded plate [M] through the back hole in the left front brace.

**FRONT DRIVER SIDE BRACE**

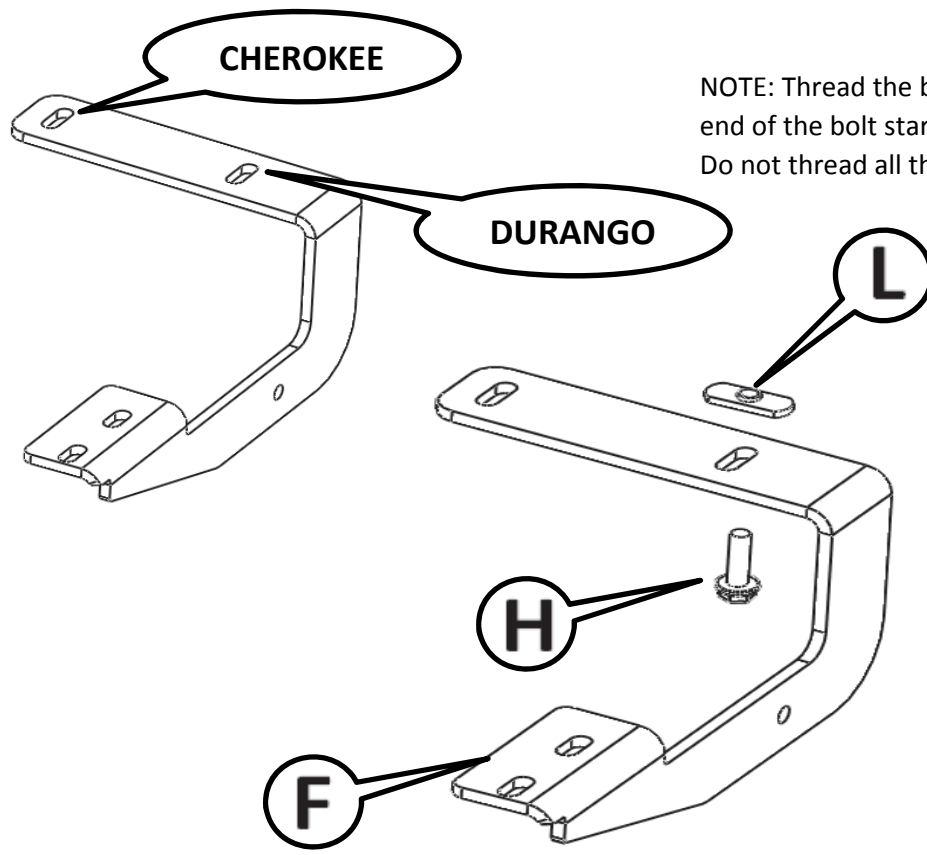


NOTE: Thread the bolt into the plate until the end of the bolt starts coming through the plate. Do not thread all the way through.

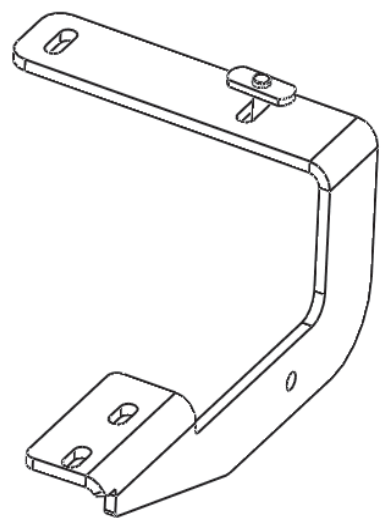


**REAR DRIVER SIDE BRACE**

Thread the 8mm bolt [H] into the large threaded plate [L] through the appropriate slot in bracket [F] for you vehicle type.

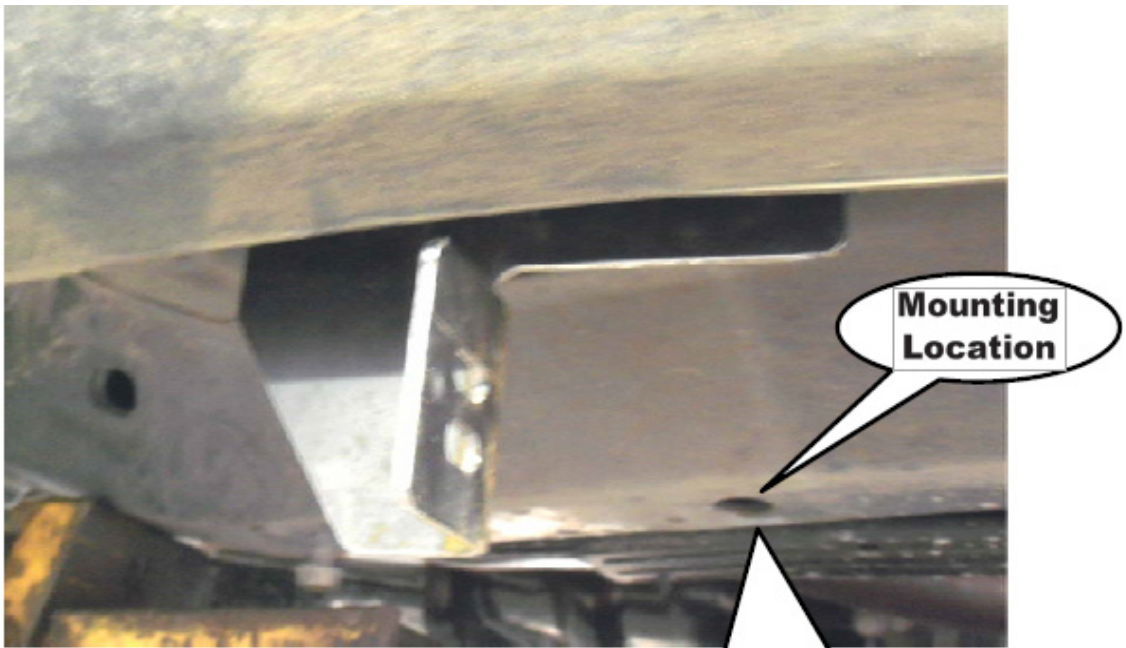


NOTE: Thread the bolt into the plate until the end of the bolt starts coming through the plate. Do not thread all the way through.



**5**

Shown below is the front driver's side mounting location. The small threaded plate [M] will be installed in the hole shown below. The bottom slot will be used

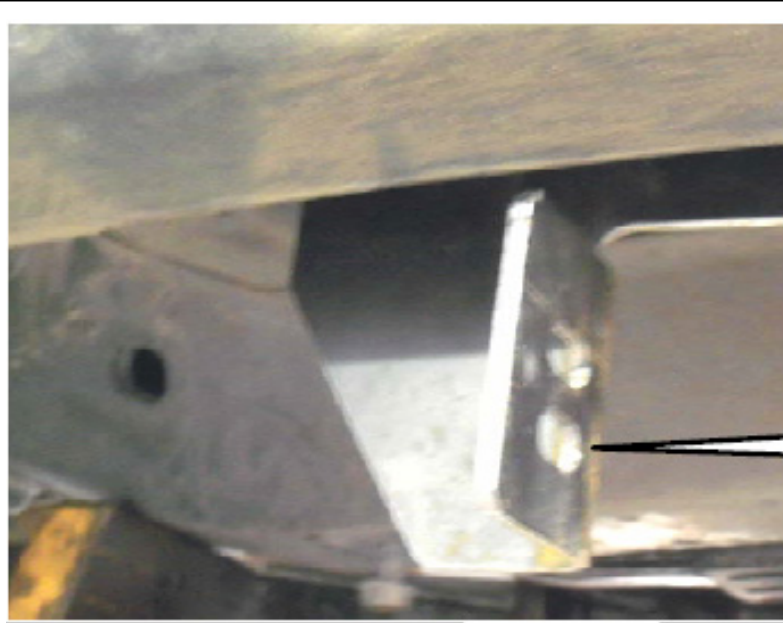


View from the front of the vehicle of the small threaded plate being installed.



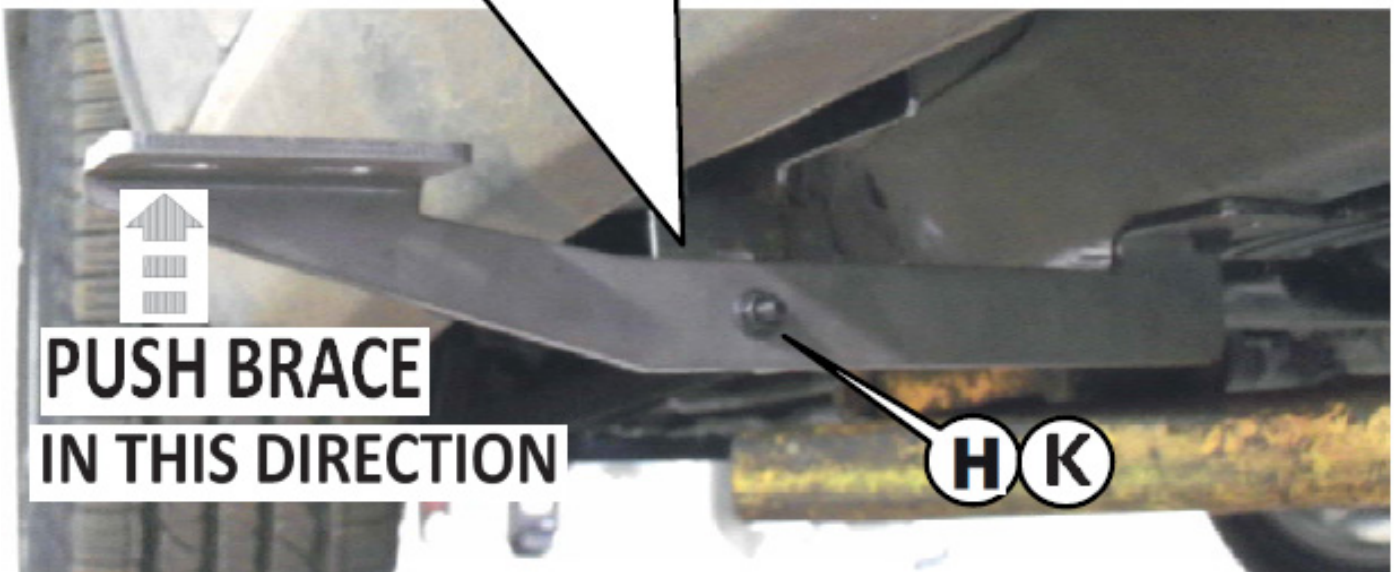
Note: If your vehicle is equipped with the optional skid plate package, one of the skid plates will be covering the mounting hole for the small threaded plate. This skid plate will need to be removed to allow access to this mounting hole.

**6** Loosely attach the front brace to the mounting bracket using the 8mm bolt [H] and 8mm nut [K] in the bottom slot of the mounting bracket.



Use the bottom slot to attach brace.

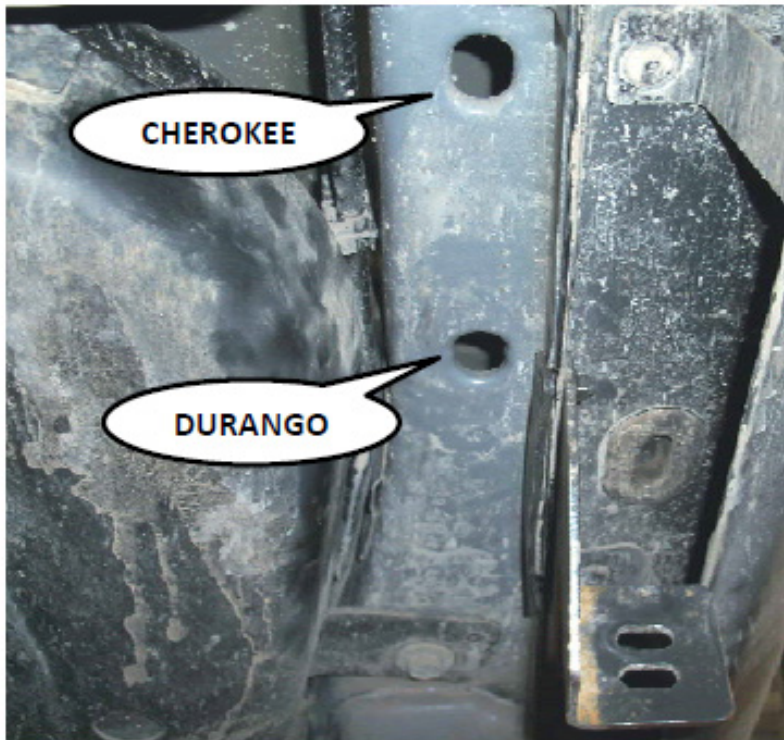
**Mounting Location**



Push up on the front brace to put tension on the bolt with the small threaded plate and tighten with a 13mm socket. Air tools are recommended for this. Once the rear bolt has been tightened, tighten the bolt and nut attaching the brace to the mounting bracket using a 13mm socket and wrench.

**7**

Insert the large threaded plate that was installed on the driver's side rear brace [F] into the slot on the underside of the vehicle just behind the pinch weld.



This picture is from the ground looking up at the rear mounting location.

The picture shown is a Durango. On the Jeep Cherokee, the Durango hole is not there.



View from front of vehicle looking towards the rear mounting location.

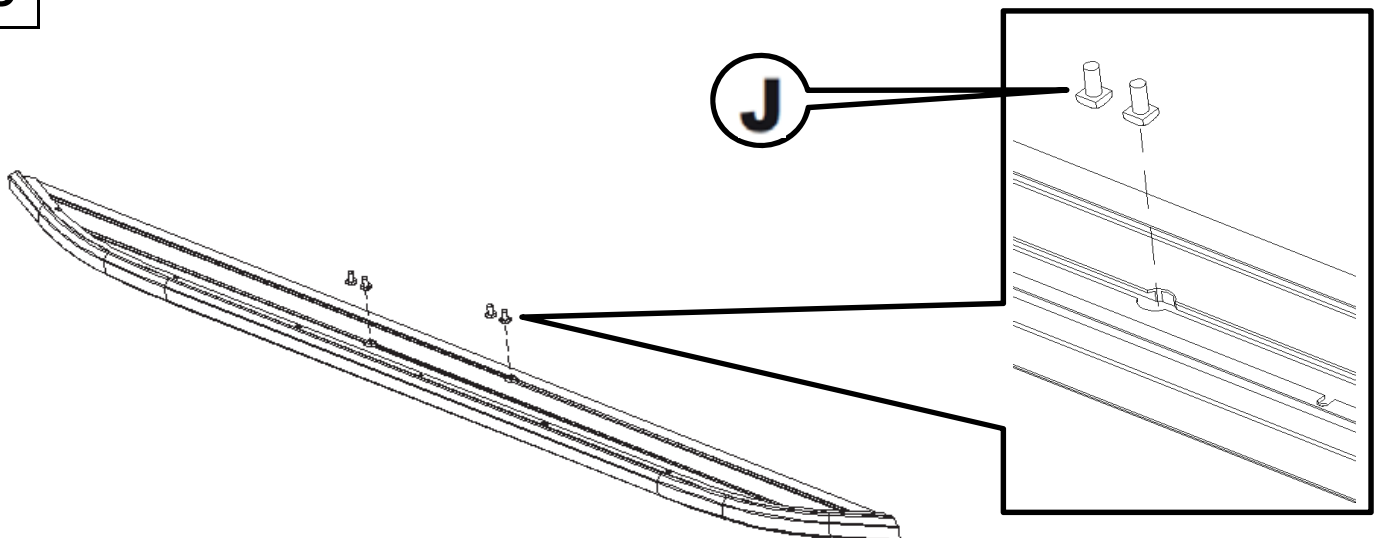


- 8** Loosely attach the rear brace to the mounting bracket using the 8mm bolt [H] and 8mm nut [K] in the top slot of the mounting bracket.

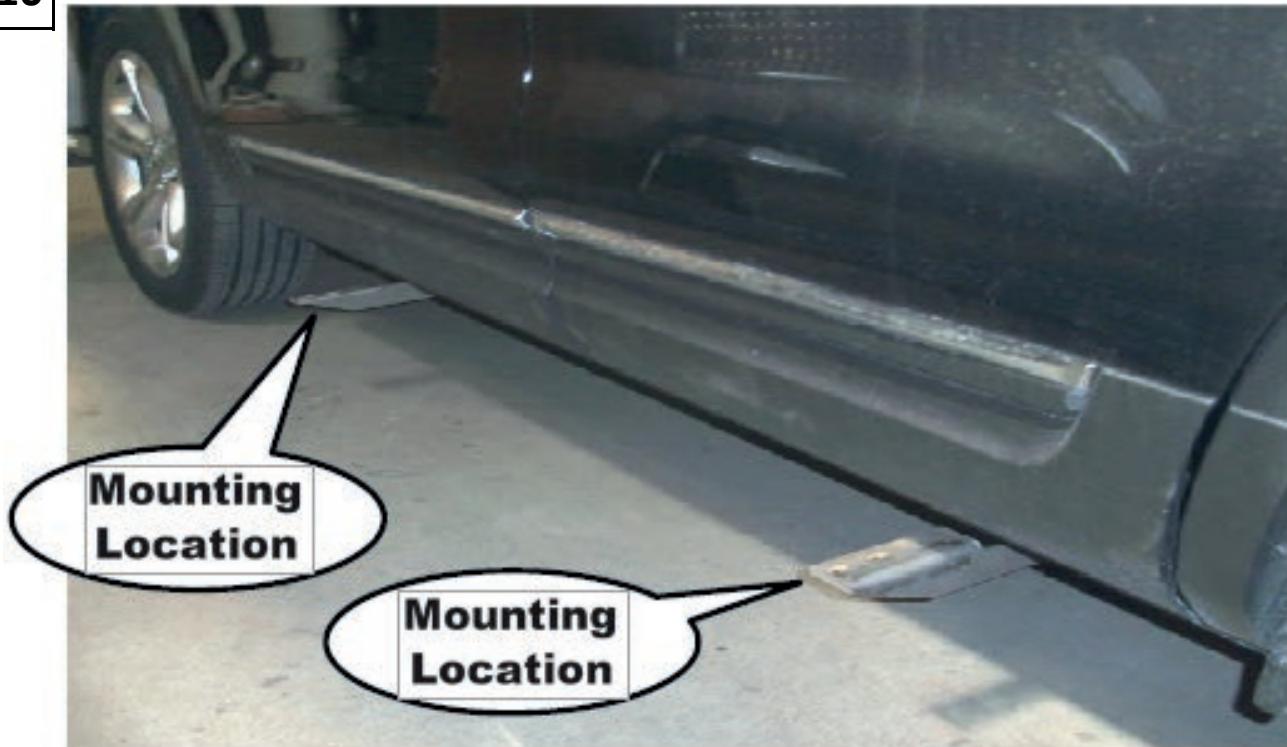


Push up on the rear brace to put tension on the bolt with the large threaded plate and tighten with a 13mm socket. Air tools are recommended for this. Once the rear bolt has been tightened, tighten the bolt and nut attaching the brace to the mounting bracket using a 13mm socket and wrench.

- 9** Slide two square head bolts [J] into the channels on the underside of the running board.



**10** Line the bolts in the running board up with the slots in the braces.



Place the board on the braces with the bolts through the brace slots.

**11** Slide the board to the desired location from front to rear. A tape measure may be used to insure the board is centered between the wheel wells. Slide to board in/out on the brace slots to place the board an even distance from the vehicle.



Attach the board to the braces using the flange nut [K]. Tighten all bolts with a 13mm socket.

Repeat process for passenger side.