



## Dee Zee Running Board Installation Instructions

*Congratulations on your purchase of a quality Dee Zee product. Dee Zee is recognized as having the highest quality running boards and accessories on the market today. We have earned this reputation by offering our customers a product they can be proud to place on their vehicles. Dee Zee meets all the criteria of manufacturing a custom-fit product which guarantees it to be the easiest product to install.*

**Note: Please take time to read all of the instructions before beginning this installation.**

**Warning! Please check for wiring or other obstructions before drilling any holes into the vehicle. If it is necessary to drill any holes into the vehicle, Dee Zee recommends putting a sealant or rust inhibitor around all holes drilled into the body of the vehicle.**

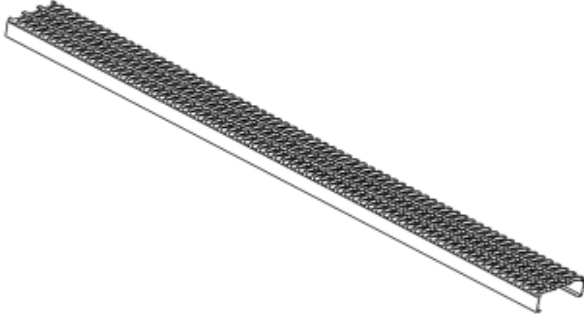
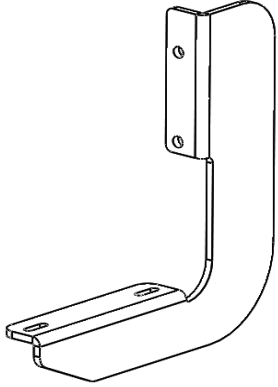
**Warning! It is the sole responsibility of the vehicle owner to check for tire clearance.**

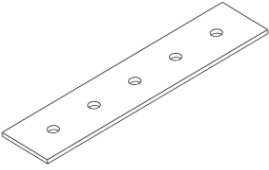
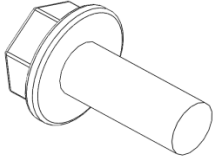
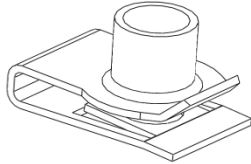
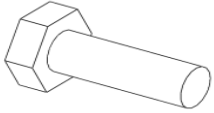
**Warning! It is unlawful and dangerous to ride on running boards or side box boards while the vehicle is in motion.**




**Cleaning Instructions: To maintain the bright finish of your Dee Zee running boards, clean with a mild detergent. For our stainless steel products and accessories, the application of a high grade automotive type wax is recommended.**

# ROUGH STEP RUNNING BOARD INSTALLATION INSTRUCTION

## DZ 15326 FORD SUPER DUTY 1999-CURRENT

<div style="display: flex; justify-content: space-between;"> <span style="font-size: 24pt; font-weight: bold;">A</span> <span>SIDE STEP TUBE</span> </div>  <p style="margin-top: 20px;">*** BOARD SOLD SEPARATELY</p>	<div style="display: flex; justify-content: space-between;"> <span style="font-size: 24pt; font-weight: bold;">B</span> <span>MAIN BRACE</span> </div> 
VARIES	X2 B 2212P

<div style="display: flex; justify-content: space-between;"> <span style="font-size: 24pt; font-weight: bold;">C</span> <span>STRAP BRACKET</span> </div> 	<div style="display: flex; justify-content: space-between;"> <span style="font-size: 24pt; font-weight: bold;">D</span> <span>8mm X 25mm FLANGE HEAD BOLT</span> </div> 	<div style="display: flex; justify-content: space-between;"> <span style="font-size: 24pt; font-weight: bold;">E</span> <span>8mm U-NUT</span> </div> 	<div style="display: flex; justify-content: space-between;"> <span style="font-size: 24pt; font-weight: bold;">F</span> <span>1/4 X 1 1/4" HEX HEAD BOLT</span> </div> 
B 1791P	X6 PN 525	X12 PN 909	X12 PN 78

<div style="display: flex; justify-content: space-between;"> <span style="font-size: 24pt; font-weight: bold;">G</span> <span>1/4" FLAT WASHER</span> </div> 	<div style="display: flex; justify-content: space-between;"> <span style="font-size: 24pt; font-weight: bold;">H</span> <span>SPLIT LOCK WASHER</span> </div> 	<div style="display: flex; justify-content: space-between;"> <span style="font-size: 24pt; font-weight: bold;">I</span> <span>1/4" HEX NUT</span> </div> 	
PN 72B	X24 PN 512	X12 PN 71B	X12


## TOOLS REQUIRED

WRENCH/RATCHET

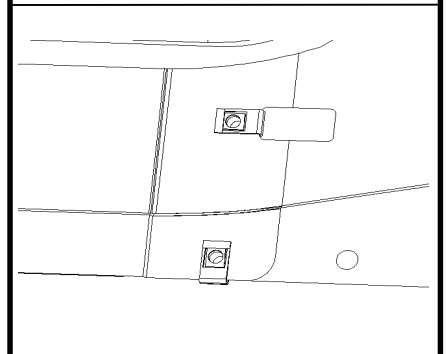
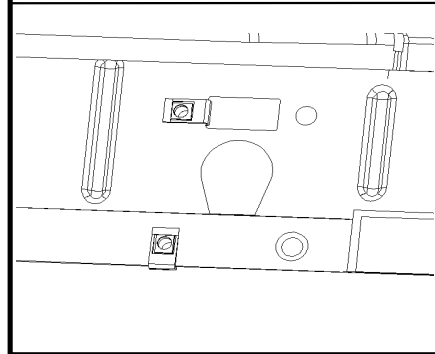
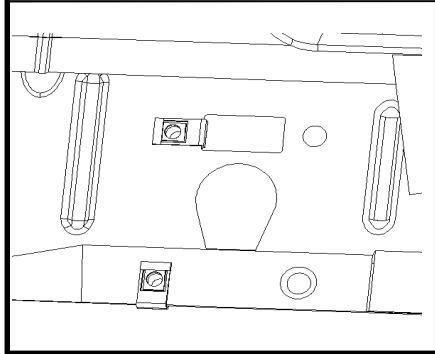
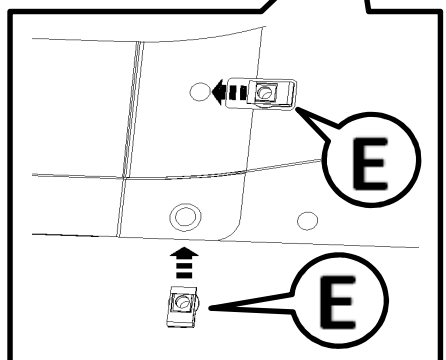
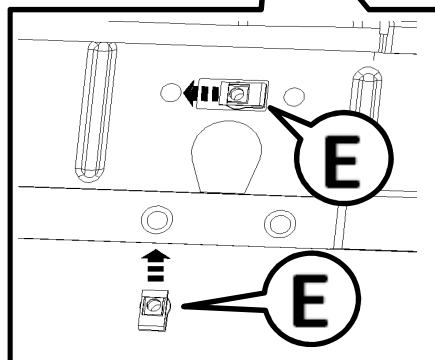
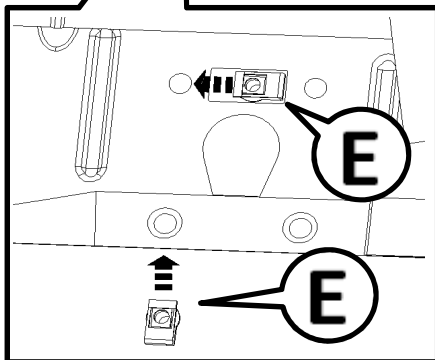
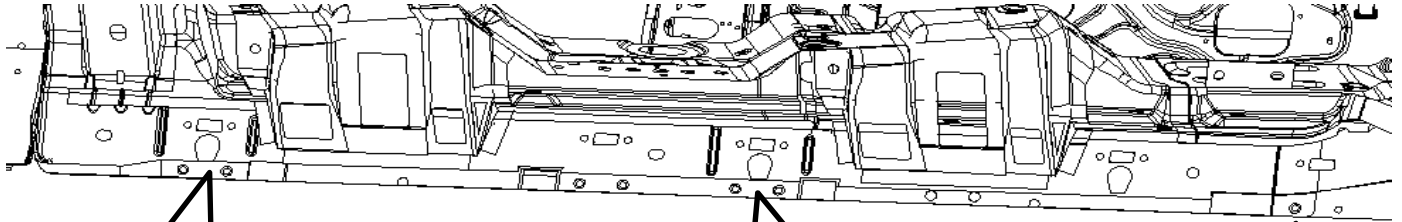
7/16", 13mm



**1**

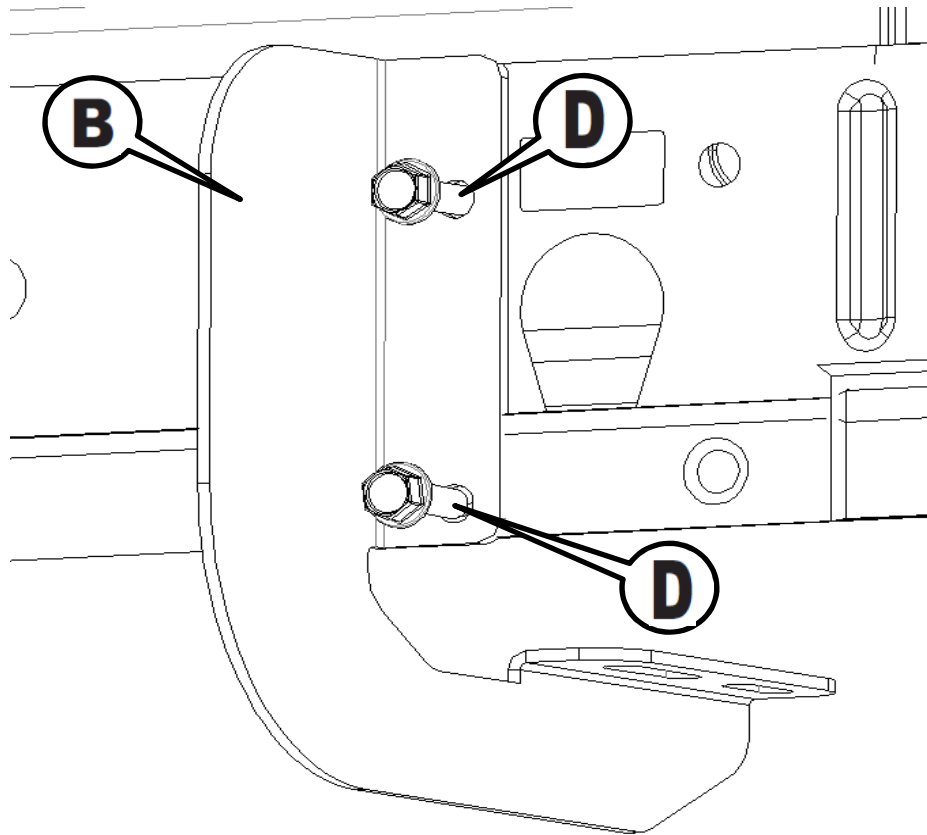
Install the 8mm u-nut [E] as shown below.

The driver's side crew cab is shown. The front of the vehicle is to the right of the picture.

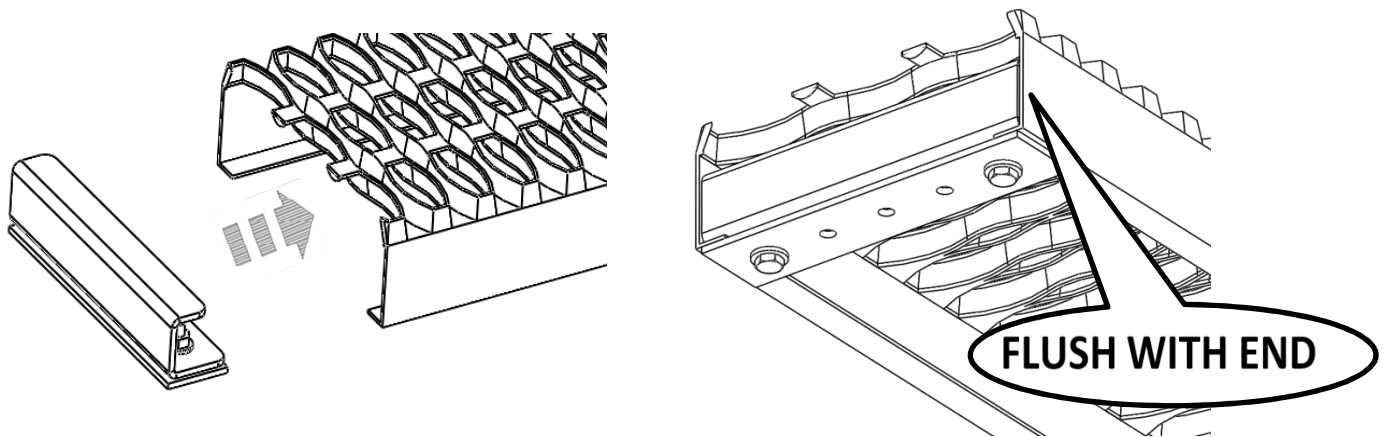


The regular cab does not have a middle mounting location. Extra brackets and hardware may be discarded.

- 2** Attached the mounting brackets [B] to the mounting locations with the previously installed U-nuts using the 8mm x 25mm bolt [D]. Tighten with a 13mm socket/wrench.



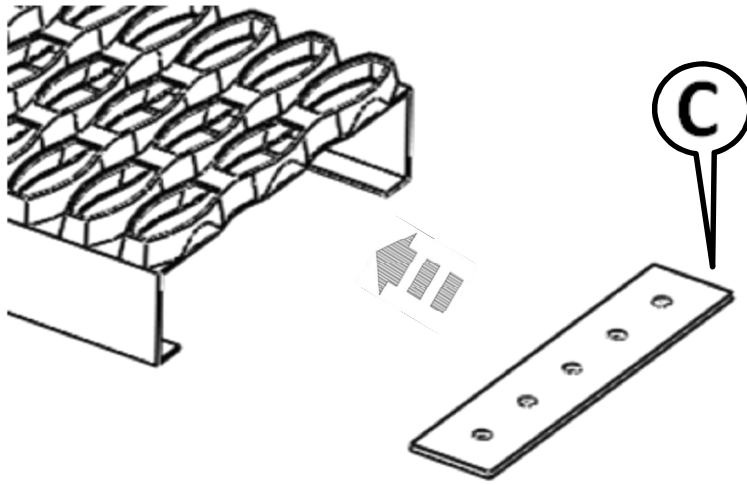
- 3** Slide the pre-assembled end cap into the end of the board [A] until the end cap is flush with the end of the board. The end cap must be inside the board and the strap bracket outside the board. Tighten the bolts with a 7/16" wrench and socket.



DO NOT INSTALL THE END CAP ON THE OTHER END OF THE BOARD UNTIL COMPLETING THE NEXT STEP.

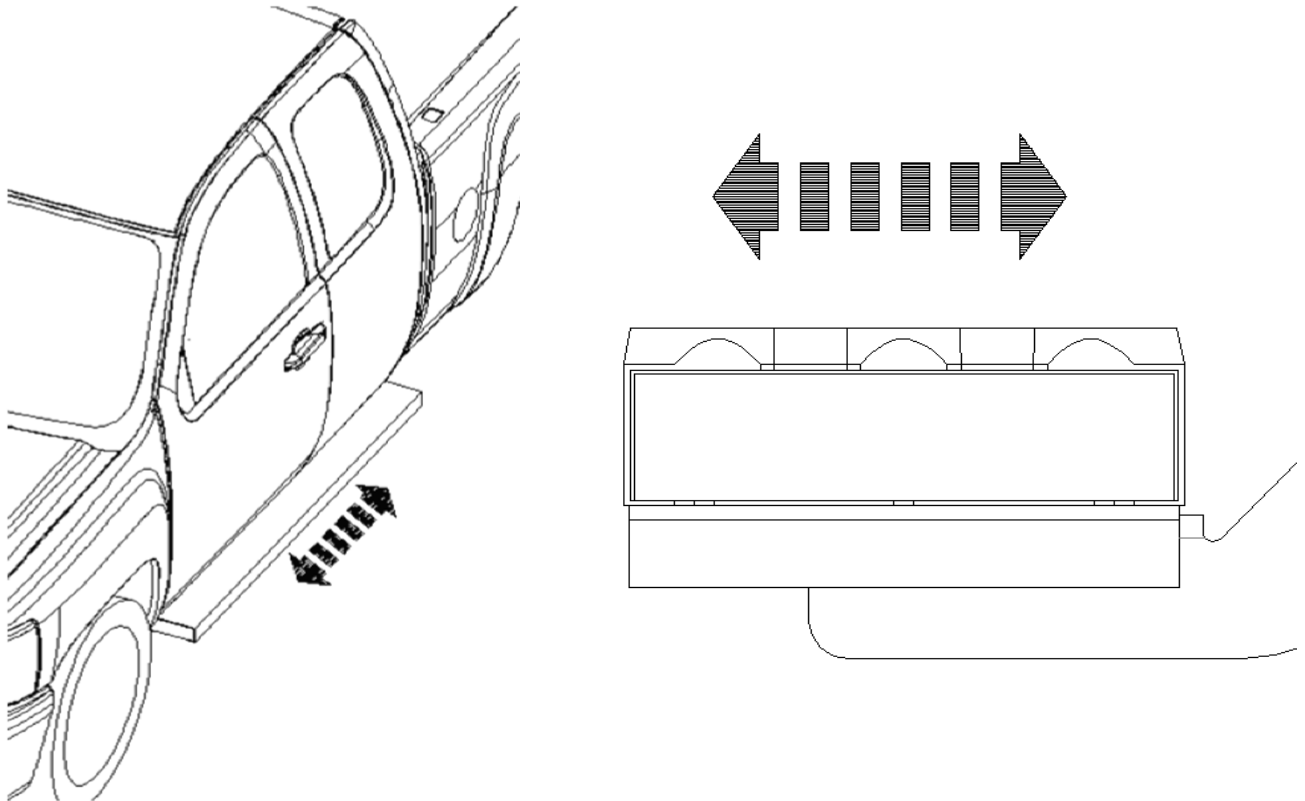
If you do not have the end caps already assembled, refer to the instructions included with the running boards.

- 4** Before attaching the end cap on the other end of the board, slide the strap brackets into the open end of the board. If your application uses 2 braces per side, insert 2 strap brackets [C]. If your application uses 3 braces per side, insert 3 strap brackets [C].



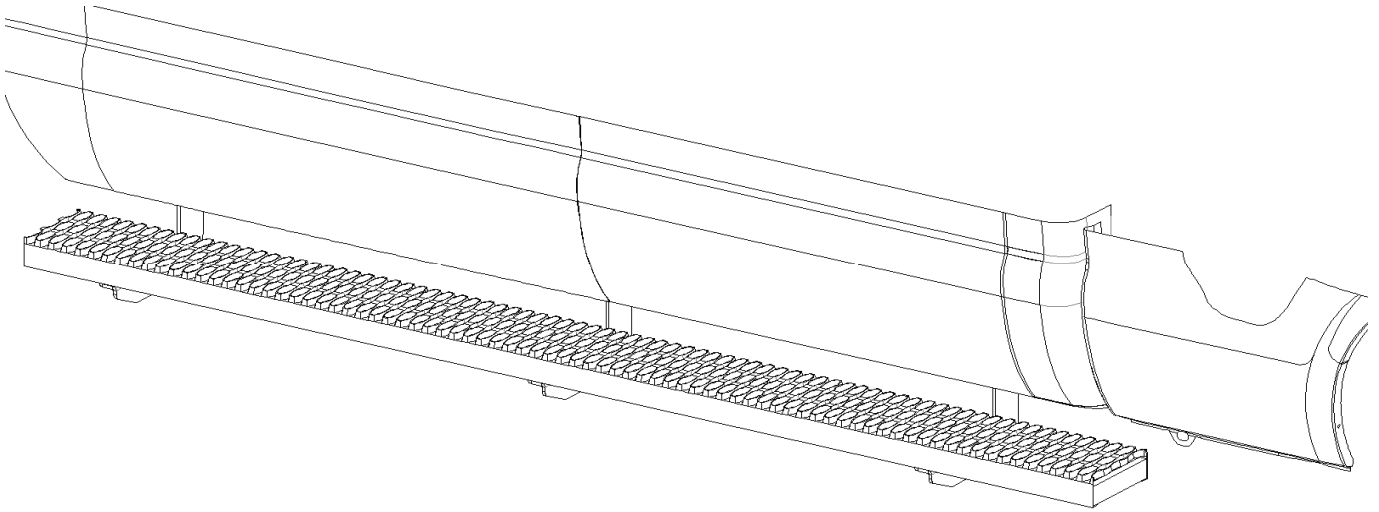
Once the strap brackets are in the board, attach the other end cap.

- 5** Place the running board on the braces and adjust it front to back, and side to side to get the board in the desired location.



4

Align the strap brackets [C] that were installed in Step 4 with the main braces.



Attach the board to the brace using the 1/4" bolt [F], two washers [G], lock washer [H], and nut [I].

Tighten all bolts using a 7/16" socket/wrench.

Make sure all bolts are tightened. Repeat steps for other side.

