

**Before returning this product
to the store of purchase**

Contact Dee Zee if you experience the following problems:

- Missing Parts
- Installation Problems/Questions
- Warranty Questions




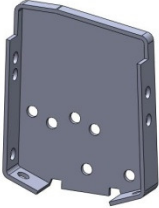
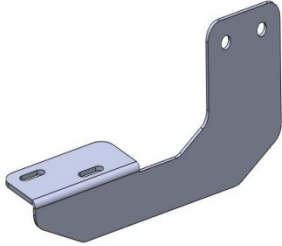
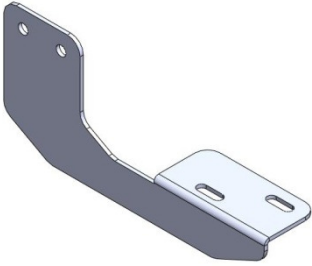
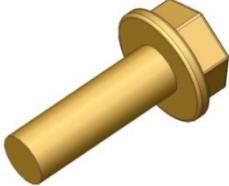

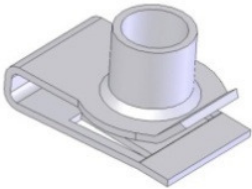
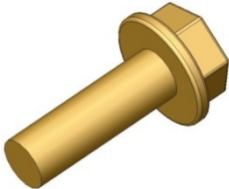
Dee Zee Running Board Installation Instructions

Congratulations on your purchase of a quality Dee Zee product. Dee Zee is recognized as having the highest quality running boards and accessories on the market today. We have earned this reputation by offering our customers a product they can be proud to place on their vehicles. Dee Zee meets all the criteria of manufacturing a custom-fit product which guarantees it to be the easiest product to install.

Note: Please take time to read all of the instructions before beginning this installation.

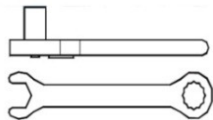
Cleaning instructions: To maintain the bright finish of your Dee Zee running board, clean with a mild detergent and use a high-grade automotive type wax. **DO NOT USE ABRASIVE CLEANERS ON THIS PRODUCT!**

NXt Running Board FORD SUPER DUTY Pickup

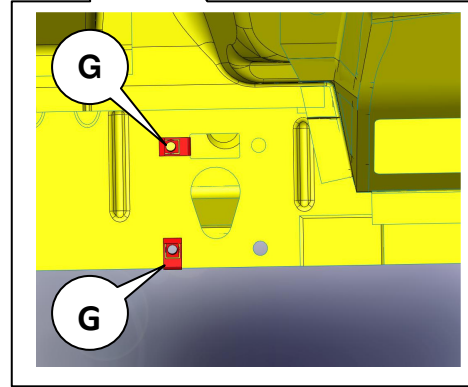
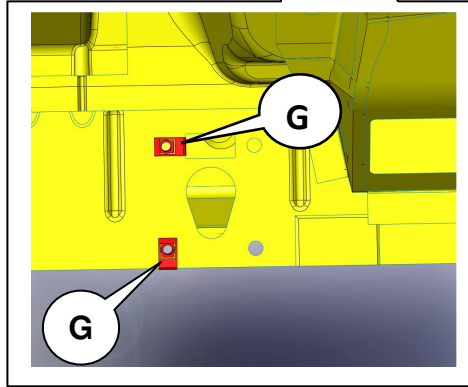
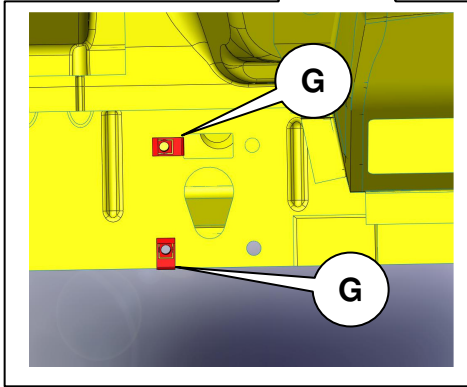
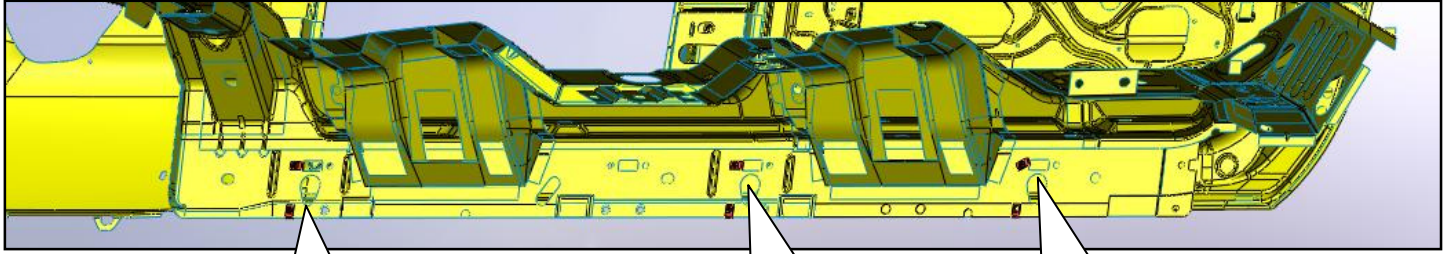
<p>A NXt Running Board</p>  <p>Various X2</p>	<p>B Rocker Panel Mounting Bracket</p>  <p>B 1182P X6</p>	<p>C Driver Side Bracket</p>  <p>B 1830LP X3</p>
<p>D Passenger Side Bracket</p>  <p>B 1830RP X3</p>	<p>E 8mm X 25mm Flange Head Bolt</p>  <p>PN 525 X12</p>	<p>F 8mm Hex Flange Nut</p>  <p>PN 526 X24</p>
<p>G 8mm U-nut</p>  <p>PN 909 X12</p>	<p>H 8mm X 20mm Flange Head Bolt</p>  <p>PN 527 X12</p>	

Tools Required

Ratchet / Wrench
13mm

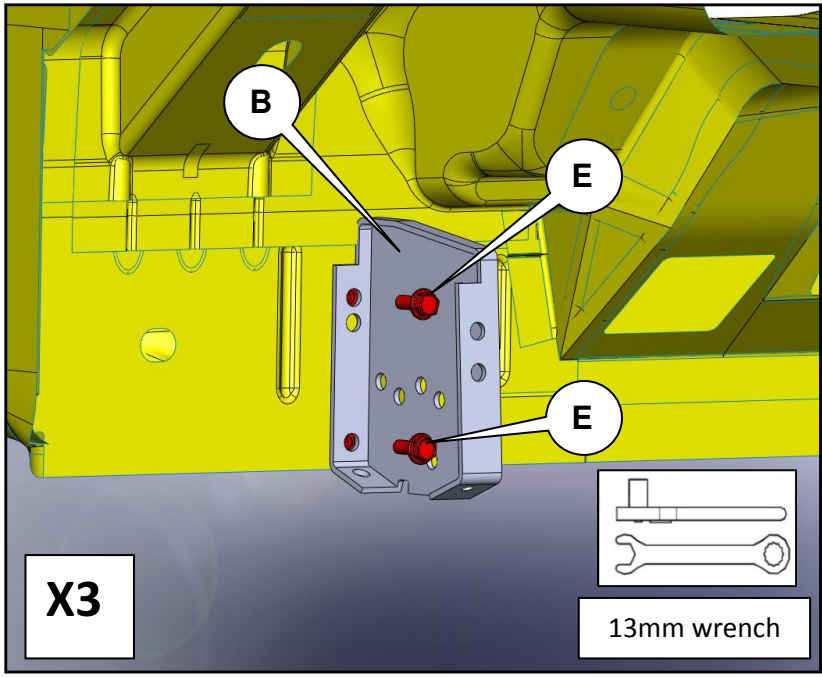


1

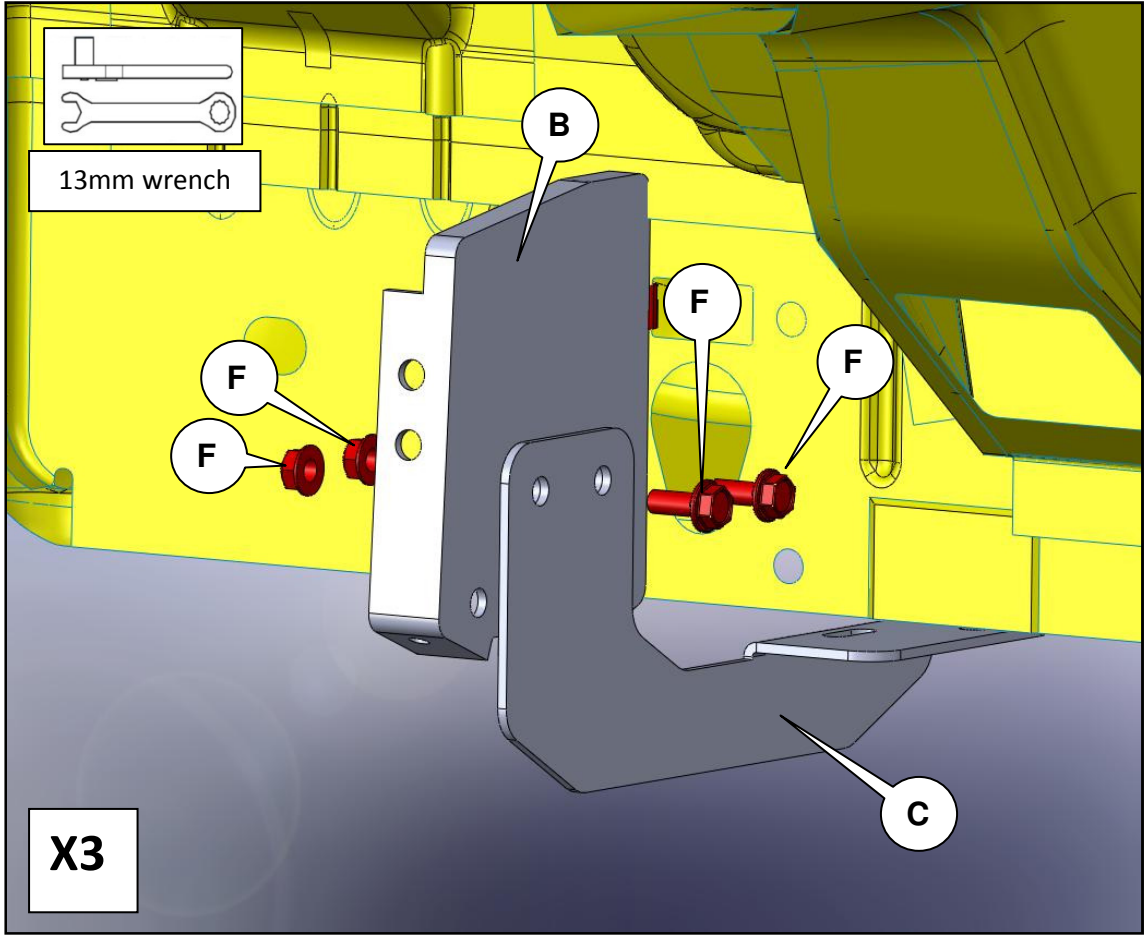


NOTE: FOR STANDARD CAB APPLICATIONS, MIDDLE BRACKET LOCATION IS NOT AVAILABLE. PROCEED AS DIRECTED USING FRONT AND REAR MOUNTING LOCATIONS. EXTRA BRACKETS AND HARDWARE MAY BE DISCARDED.

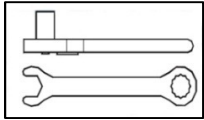
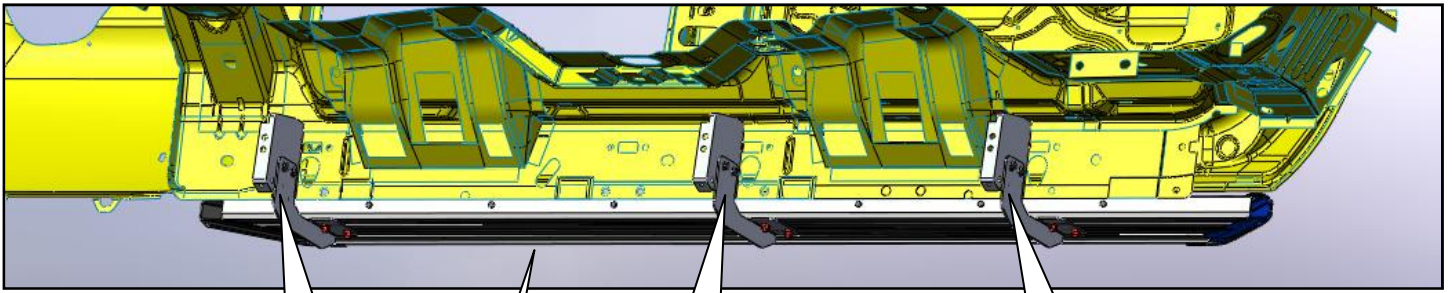
2



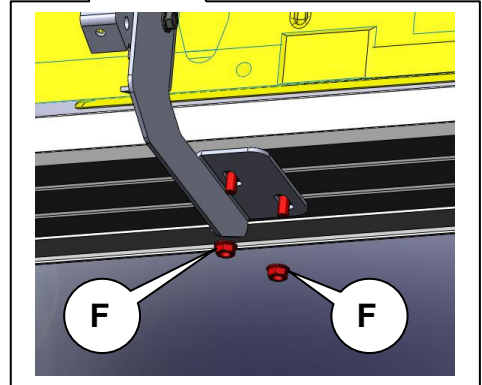
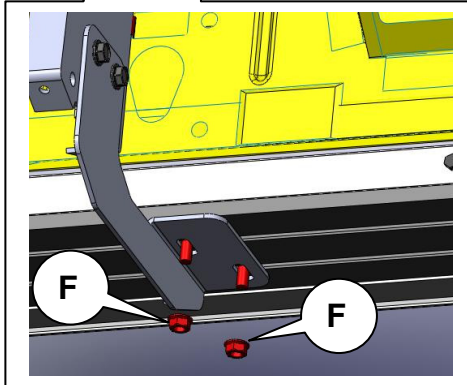
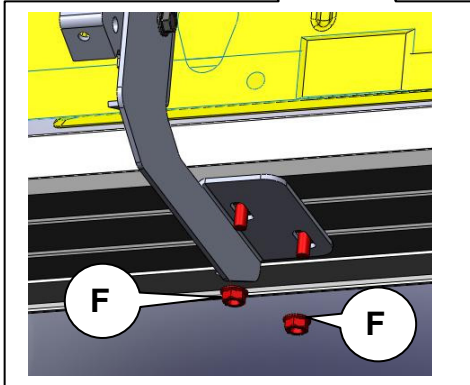
3



4



13mm wrench



5

REPEAT STEPS 1-4 FOR PASSENGER SIDE USING BRACKET D.