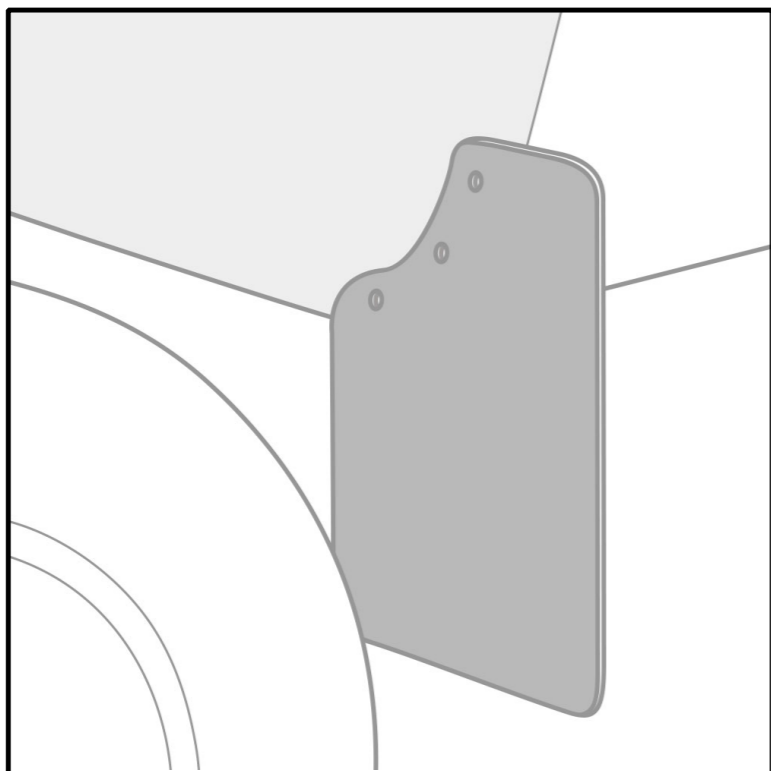


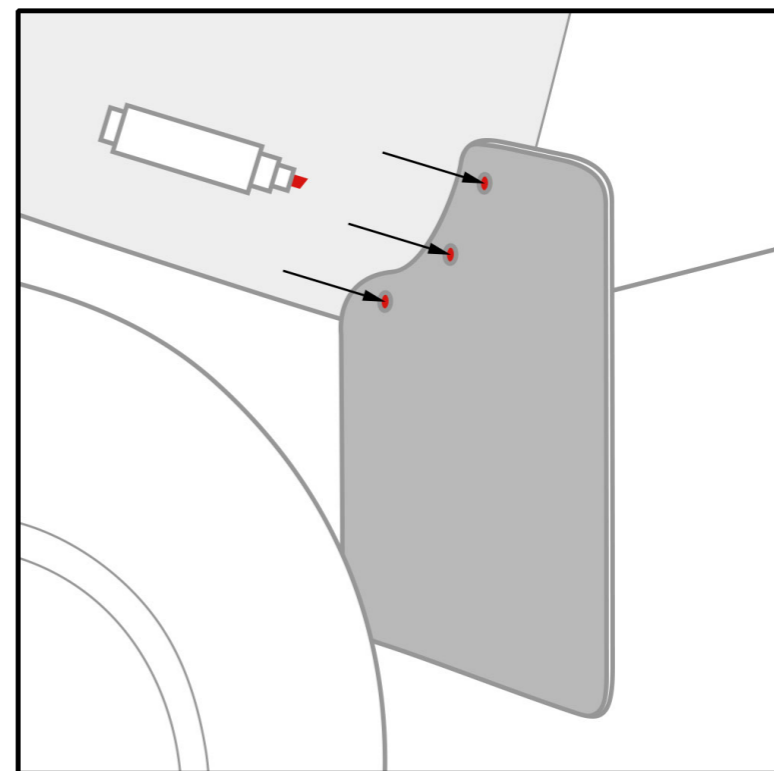


Installation Instructions

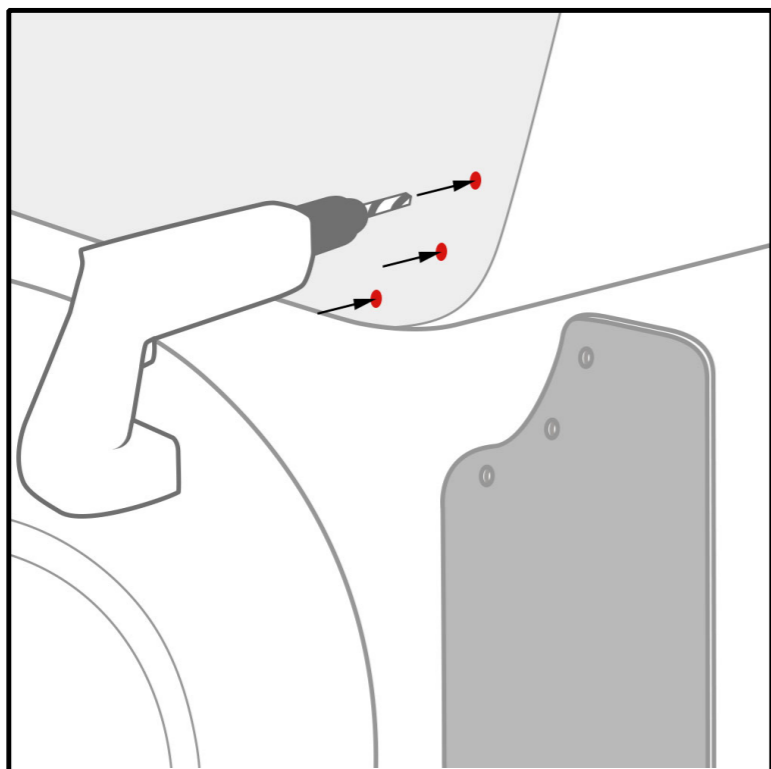
Mud Flap



Step 1
Position flap to rear of rear wheel well,
pattern side facing outward.



Step 2
Align flap to desired height.



Step 3
Drill 3 holes through the flap and wheel well lip
and attach with 1/4" screws.

