



**INSPECT YOUR PRODUCT FOR DAMAGE & MISSING  
PARTS BEFORE PROCEEDING TO INSTALLATION**

**PROCEDURE FOR RETURNS OR MISSING HARDWARE**

-PLEASE CONTACT THE ORIGINAL POINT OF PURCHASE FOR:

SHIPPING DAMAGE, RETURNS, OR WARRANTY CLAIMS

-CONTACT DEE ZEE DIRECTLY FOR MISSING PARTS OR HARDWARE

---

Operating, servicing, and maintaining a passenger vehicle can expose you to chemicals such as lead, phthalates, engine exhaust, and carbon monoxide that are known to the State of California cause cancer and birth defects or other reproductive harm. To minimize exposure, service your vehicle and its accessories in a well-vented area and wear gloves or wash your hands frequently.



Thank you for choosing Dee Zee to add function and accessorize your vehicle. Dee Zee has been a staple brand in the truck accessory market since 1977 and we hold a reputation of quality manufacturing based in America's Heartland. Our products are born through careful engineering and backed by industry leading warranty programs. We appreciate the opportunity to serve you and your vehicle!

**Review the instruction pages in their entirety to prepare the required tools**

**Warning:** The included J-Bolts must be used during installation to secure the crossover tool box to the truck bed. Do NOT use self-tapping screws on crossover tool boxes. Self-tapping screws can be used only on chest style tool boxes being installed to the truck bed.

The tool box warranty is void if one of these securing methods is not used.

**Note:** Dee Zee tool boxes are NOT air tight. An air-tight seal allows condensation to form inside of the box, causing the contents to be susceptible to mold or rust. Dee Zee boxes feature various bulb seals and foam gaskets on the lid to help resist weather elements.

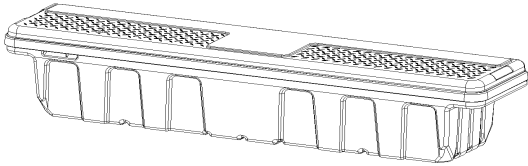
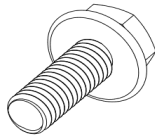

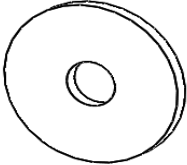

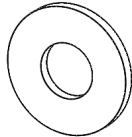
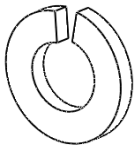
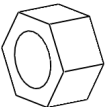
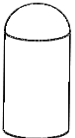
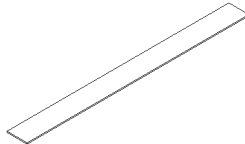

Tool box locks are provided as a theft deterrent and they should always be engaged to prevent easy access to the contents of your tool box when not in use. Contents stored in the tool box are the responsibility of the user and Dee Zee disclaims responsibility of theft. Dee Zee does not insure any loss of contents.

**Cleaning:** To be entitled to all warranty rights offered with the product, Dee Zee tool boxes need to be cleaned regularly with a mild detergent. Do NOT use abrasive cleaners. For stainless steel products, the application of a high grade automotive wax is recommended.



Dee Zee Cares - Please Recycle

# Poly Tool Box Installation Instruction

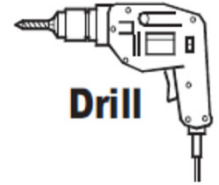
<b>A</b>  TOOL BOX		<b>B</b>  M6 BOLT PN 822	<b>C</b>  M6 NUT PN 821
<b>D</b>  1/4" WASHER PN 265	<b>E</b>  J-BOLT PN 549	<b>F</b>  3/8" WASHER PN 113	<b>G</b>  3/8" LOCK WASHER PN 89
<b>H</b>  3/8" NUT PN 90	<b>I</b>  VINYL CAP PN 550	<b>J</b>  GASKET X1	<b>K</b>  MOUNTING BRACE TB8370309

## TOOLS REQUIRED

10mm WRENCH/RATCHET  
 9/16" WRENCH/RATCHET

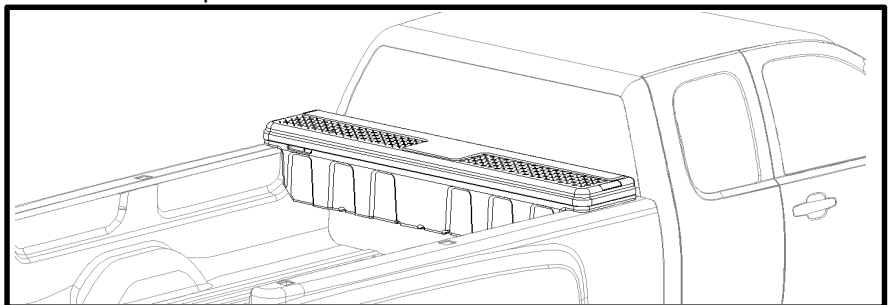
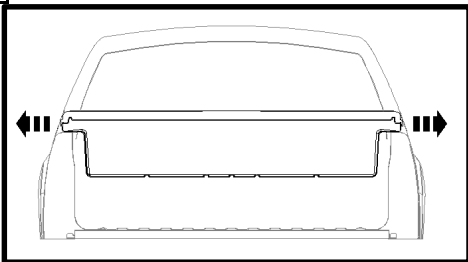


TAPE  
 MEASURE

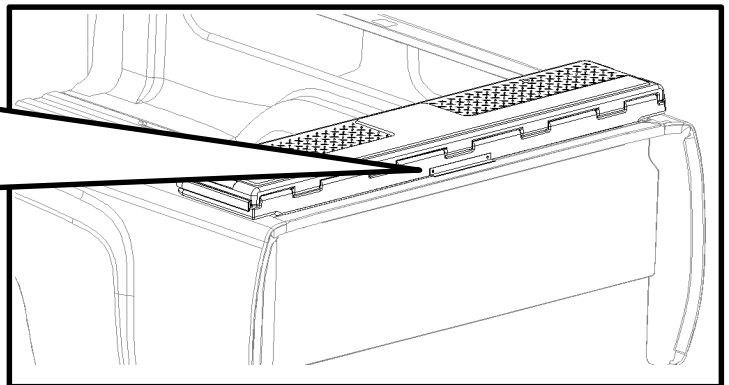
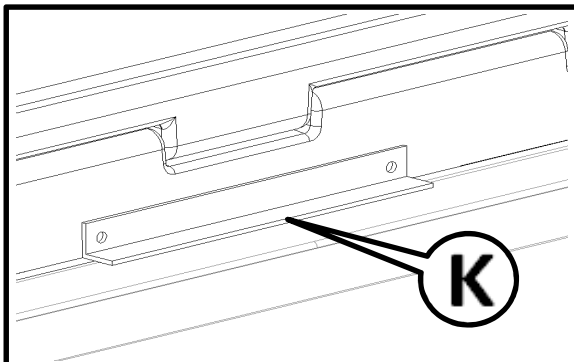


1/4" , 13/32" DRILL BIT

**1** Place the tool box in the bed of the truck and use the tape measure to center the box.

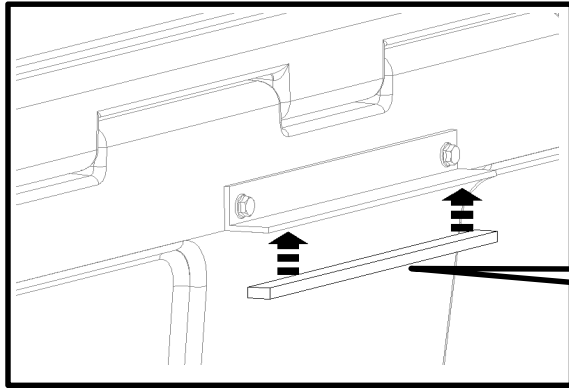
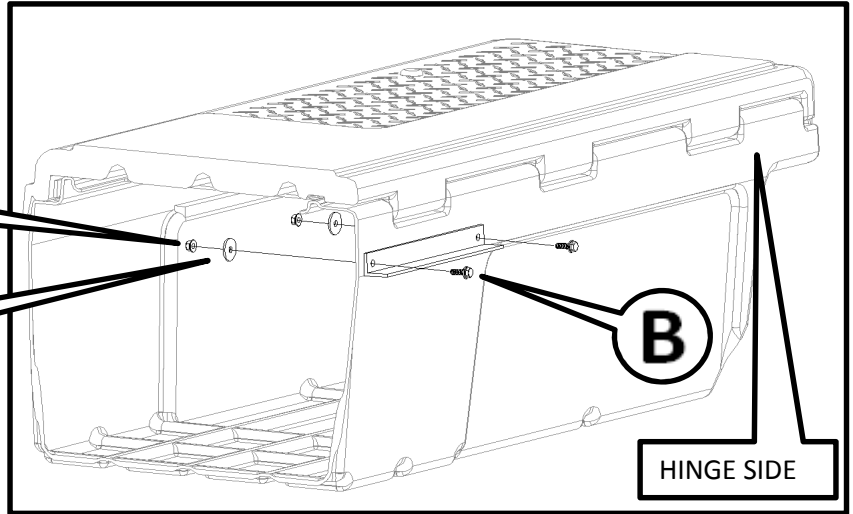


Place the mounting brace [K] on the truck bed, centered on the tool box, and against the tool box on the hinge side. Mark the hole locations in the brace.



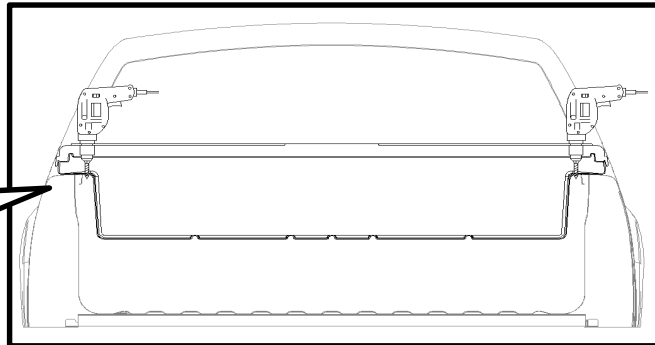
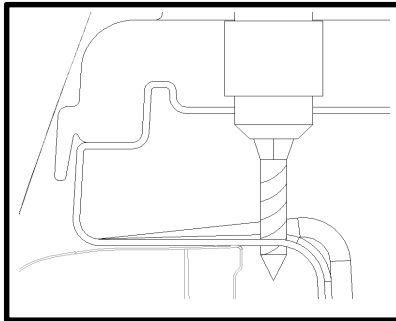
**2** Remove the tool box and drill the marked holes with a 1/4" bit.

Attach the mounting brace to the box using the M6 bolt [B], washer [D], and M6 nut [C].

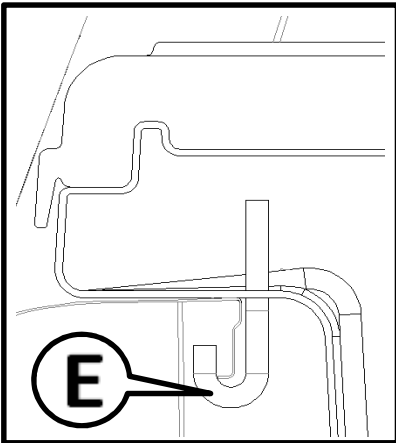


After attaching the mounting brace, apply the gasket [J] to the bottom side of the mounting brace.

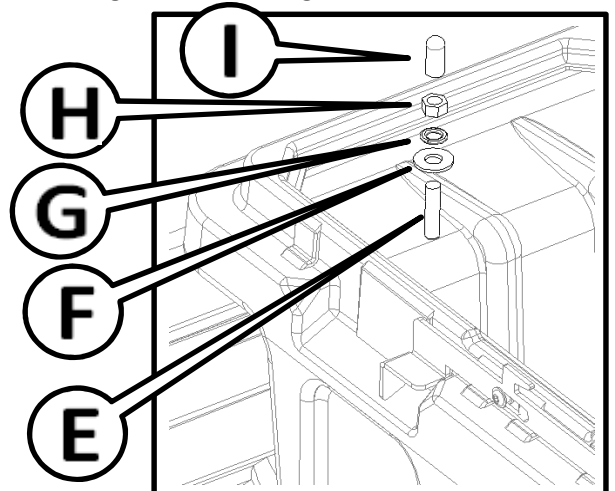
**2** Place the tool box back in the truck bed and center the tool box.



Drill a 13/32" hole at each end of the tool box between the edge of the tool box and the bed rail of the truck. Be sure that the bed rail is clear of the drill bit when drilling to avoid damage.



Bring the J-bolt [E] up through the drilled holes and hook over the bed rail. Attach using the washer [F], lock washer [G], nut [H]. Tighten until the tool box is secured and doesn't move. Do not over tighten. Once both J-bolts are installed. Cover the threads of the J-bolt with the vinyl cap [I].



## **DISCLAIMER**

All products are sold as appearance accessories and should not be relied upon as protection for the vehicle or its occupants in the event of an accident. Vehicles equipped with a supplemental restraints system (air bags) deployed by impact and collision avoidance systems should not be modified in any way. Always consult the vehicle manufacturer if you have any questions regarding supplemental restraint systems and sensors.

Buyer must accommodate front and rear sensors during product installation and assumes all risk should these be tampered, rerouted, severed, or disconnected. This includes disabling visual, audio, or vibration alerts into the cab. Buyer assumes all risk and responsibility for wiring any supplemental auxiliary lights.

Buyer assumes all risk, liability, and cost for the installation and use of Dee Zee products. Dee Zee, Inc. assumes no liability for injury, loss, incidental or consequential damages in the event of an accident.