



## INSPECT YOUR PRODUCT FOR DAMAGE & MISSING PARTS BEFORE PROCEEDING TO INSTALLATION

Thank you for choosing Dee Zee to add function and accessorize your vehicle. Dee Zee has been a staple brand in the truck accessory market since 1977 and we hold a reputation of quality manufacturing based in America's Heartland. Our products are born through careful engineering and backed by industry leading warranty programs. We appreciate the opportunity to serve you and your vehicle!

### Review the instruction pages in their entirety to prepare the required tools

**Warning:** Please check for wiring or other obstructions before drilling any holes in the vehicle. If it is necessary to drill any holes, Dee Zee recommends putting a sealant or rust inhibitory around all holes drilled into the body of the vehicle.

It is the sole responsibility of the vehicle owner to check for tire clearance. It is unlawful and dangerous to ride on any external vehicle step while the vehicle is in motion.

**Cleaning:** To be entitled to all warranty rights offered with the product, Dee Zee steps need to be cleaned regularly with a mild detergent. Do NOT use abrasive cleaners. For stainless steel products, the application of a high grade automotive wax is recommended.

### **WARNING**



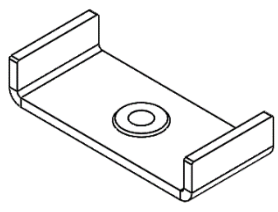
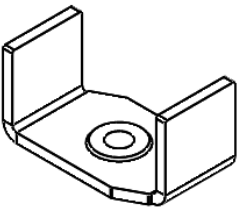
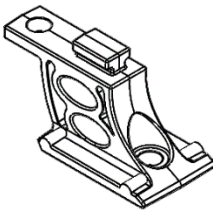
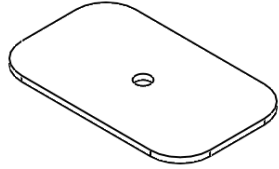
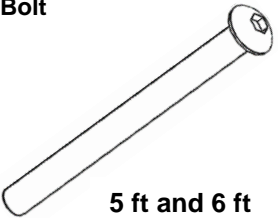
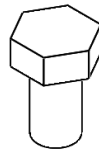
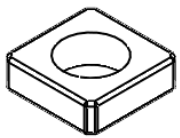
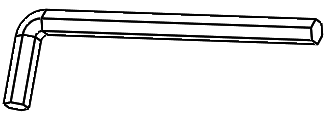
Operating, servicing, and maintaining a passenger vehicle can expose you to chemicals such as lead, phthalates, engine exhaust, and carbon monoxide that are known to the State of California cause cancer and birth defects or other reproductive harm. To minimize exposure, service your vehicle and its accessories in a well-vented area and wear gloves or wash your hands frequently.



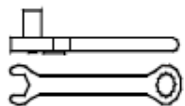
Dee Zee Cares - Please Recycle

## Hex Series Side Rail Installation Instructions

### DZ 99704, DZ 99705, DZ99706 Ram 2013-Current

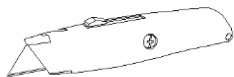
<p><b>A</b> Hex Side Rail</p>  <p>Various X2</p>	<p><b>B</b> Endcap</p>  <p>EC DZE-581ASSY X4</p>	<p><b>C</b> Front and Middle Bracket</p>  <p>B 2569PN 5 ft and 6 ft X2 8ft X4</p>
<p><b>D</b> Rear Bracket</p>  <p>B 2568PN X2</p>	<p><b>E</b> Stanchion</p>  <p>SRS HEX 5 ft and 6 ft X4 8ft X6</p>	<p><b>F</b> Plate</p>  <p>B 2570 5 ft and 6 ft X4 8ft X6</p>
<p><b>G</b> 8mm X 90mm Button Head Bolt</p>  <p>PN 1281 5 ft and 6 ft X4 8ft X6</p>	<p><b>H</b> 8mm X 14 Bolt</p>  <p>PN 247 5 ft and 6 ft X4 8ft X6</p>	<p><b>I</b> 8mm X 1.25 Square Nut</p>  <p>PN 1262 5 ft and 6 ft X4 8ft X6</p>
<p><b>J</b> 5mm Allen Wrench</p>  <p>PN 1282 X1</p>		

#### Required tools

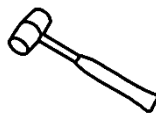


**Ratchet / Wrench**

13mm



Utility Knife



Rubber Mallet

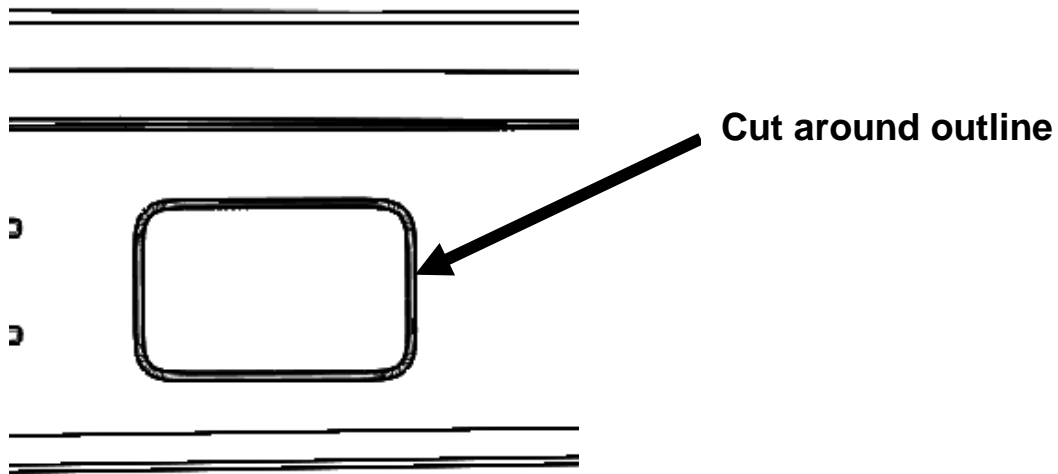
#### Recommended Tools



Tape Measure

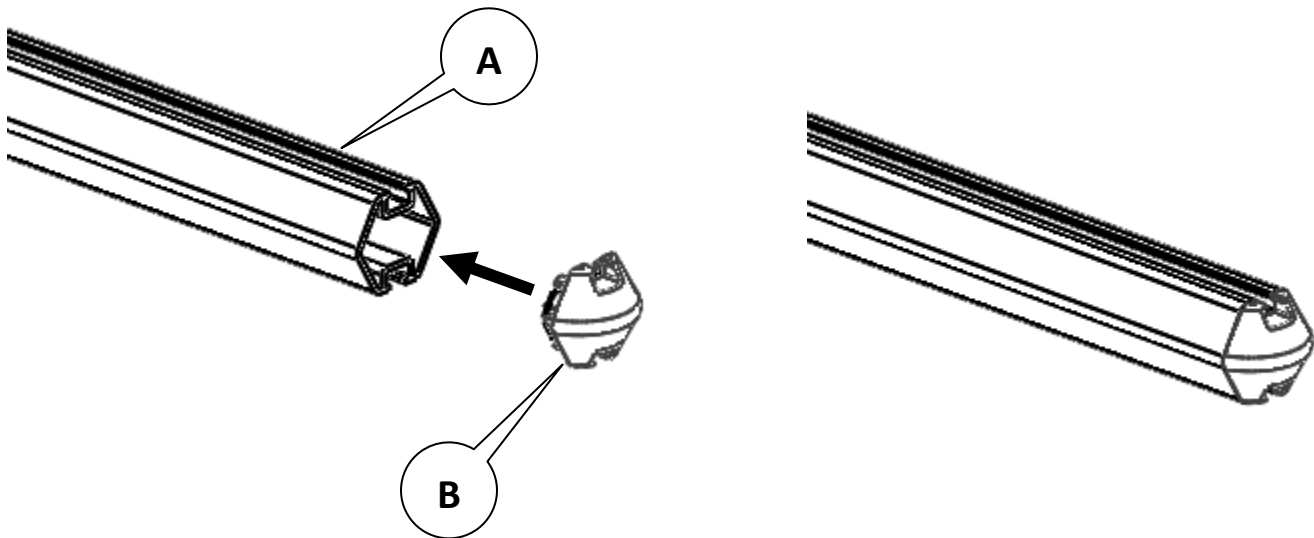
1

First use the utility knife to cut along the outline of the stake pocket on the bedcap from the front and middle locations. Only the 8 foot bed application has a middle location.



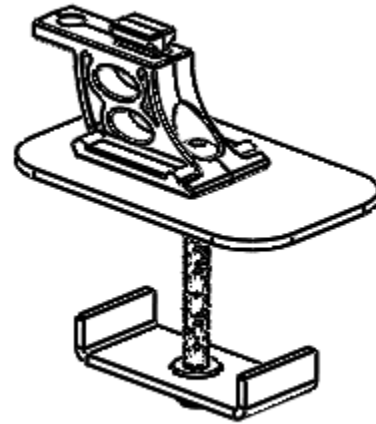
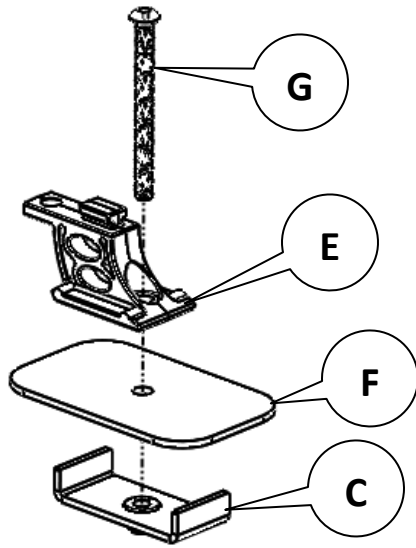
2

Install all endcaps (B) on the rails (A) by first hand pushing them to set in place, then hitting them with a rubber mallet.



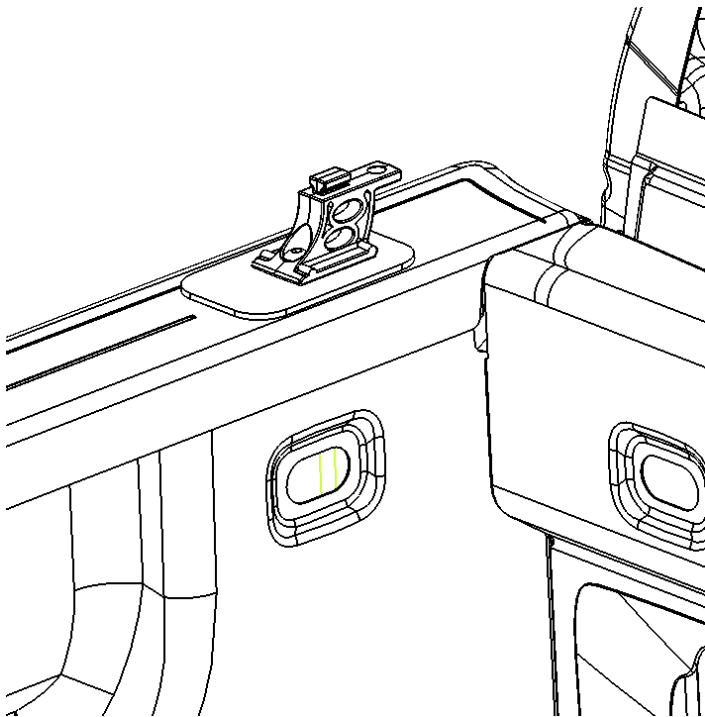
3

Assemble the front bracket by putting the bolt (G) through the stanchion (E) then through the plate (F) and thread a front bracket (C) onto the bolt. If you have an 8 foot bed repeat this step for the middle bracket.

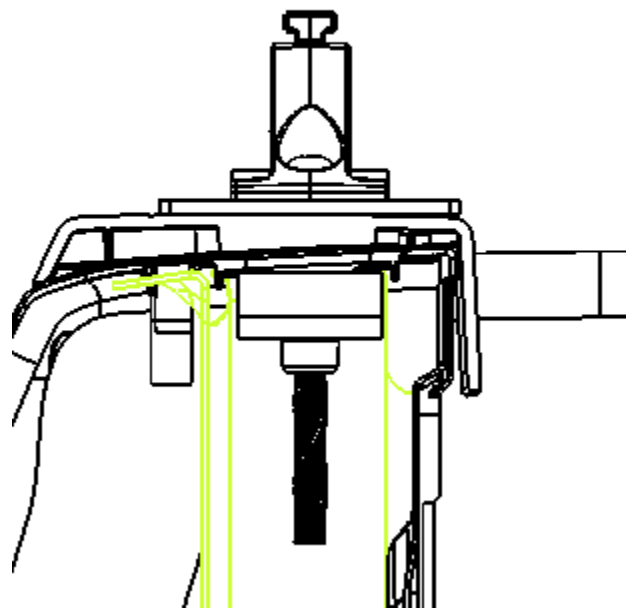


4

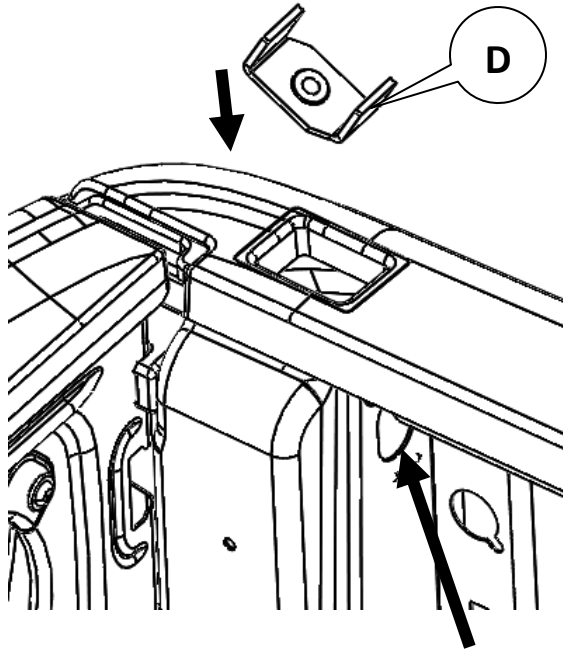
Install the front bracket assembly from step 3 into the front stake pocket. Twist the front bracket so that the bracket is in line with the truck bed. Hand tighten the bolt. Do not fully tighten hardware at this time. If you have an 8 foot bed repeat this step in the middle location on the truck bed.



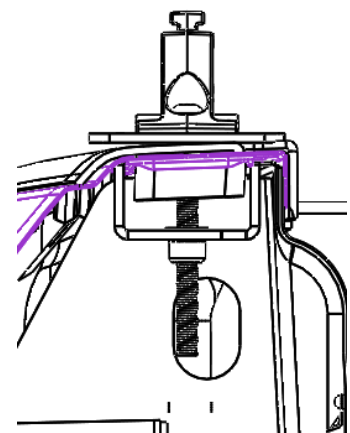
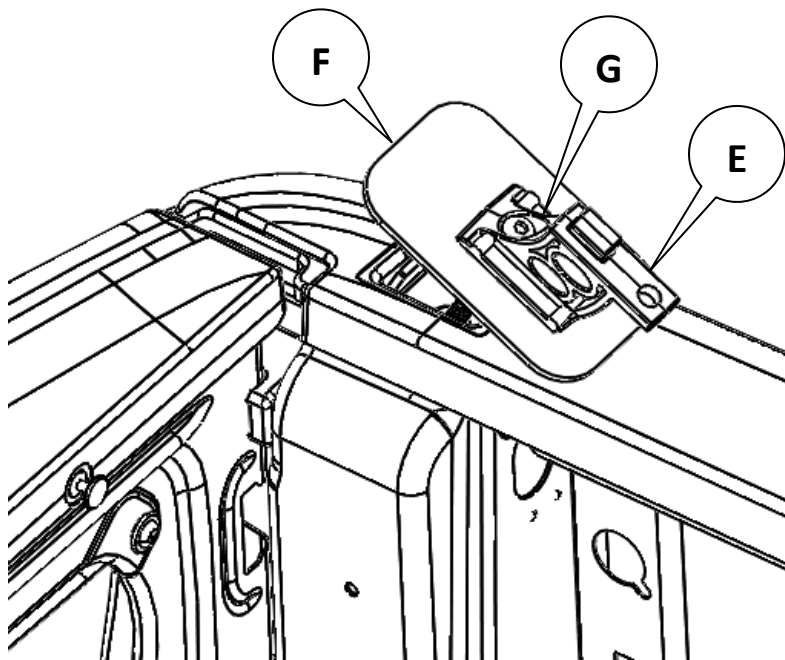
Cut away view from the back



- 5** To install the rear bracket, place the rear bracket (D) in the rear stake pocket and get one of the sides of the bracket under the plastic bed cap. Then install bolt (G), stanchion (E), and plate (F). Once the bolt is started in the rear bracket. Use the hole shown below to rotate the bracket so that the bracket is perpendicular to the truck bed. Hand tighten bolt. Do not fully tighten at this time.



Access hole to rotate rear bracket



Cut away view from the back

**6** Install bolt (H) and square nut (I) through the upper hole of the stanchions in all locations and slide rail through the stanchions and square nuts. Center the rail and Fully tighten all hardware at this time using the allen wrench (J) provided.

