



INSPECT YOUR PRODUCT FOR DAMAGE & MISSING PARTS BEFORE PROCEEDING TO INSTALLATION

Thank you for choosing Dee Zee to add function and accessorize your vehicle. Dee Zee has been a staple brand in the truck accessory market since 1977 and we hold a reputation of quality manufacturing based in America's Heartland. Our products are born through careful engineering and backed by industry leading warranty programs. We appreciate the opportunity to serve you and your vehicle!

Review the instruction pages in their entirety to prepare the required tools

Warning: Please check for wiring or other obstructions before drilling any holes in the vehicle. If it is necessary to drill any holes, Dee Zee recommends putting a sealant or rust inhibitory around all holes drilled into the body of the vehicle.

It is the sole responsibility of the vehicle owner to check for tire clearance. It is unlawful and dangerous to ride on any external vehicle step while the vehicle is in motion.

Cleaning: To be entitled to all warranty rights offered with the product, Dee Zee steps need to be cleaned regularly with a mild detergent. Do NOT use abrasive cleaners. For stainless steel products, the application of a high grade automotive wax is recommended.



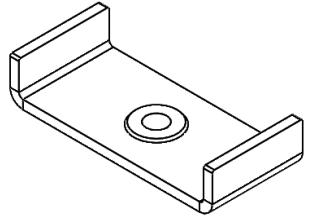
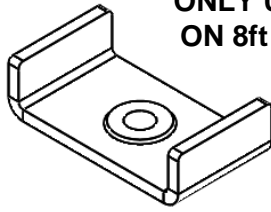
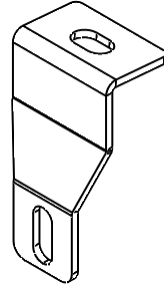
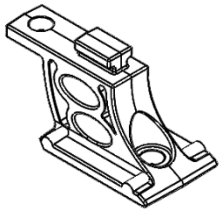
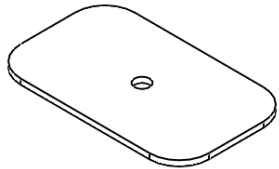
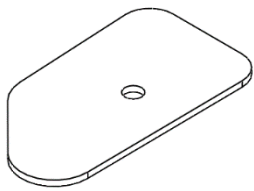
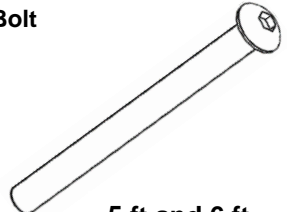
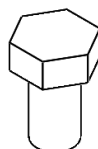
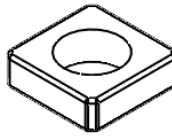
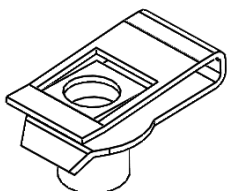
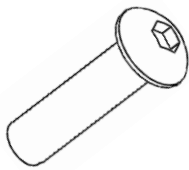
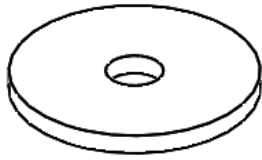

WARNING:

Operating, servicing, and maintaining a passenger vehicle can expose you to chemicals such as lead, phthalates, engine exhaust, and carbon monoxide that are known to the State of California cause cancer and birth defects or other reproductive harm. To minimize exposure, service your vehicle and its accessories in a well-vented area and wear gloves or wash your hands frequently.

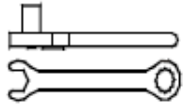


Hex Series Side Rail Installation Instructions

DZ 99701, DZ 99702, DZ99703 Chevy 2014-2018

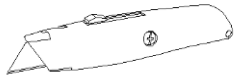
<p>A Hex Side Rail</p>  <p>Various X2</p>	<p>B Endcap</p>  <p>EC DZE-581ASSY X4</p>	<p>C Front Bracket</p>  <p>B 2569PN X2</p>
<p>D Middle Bracket</p> <p>ONLY USED ON 8ft BED</p>  <p>B 2571PN X2</p>	<p>E Rear Bracket</p>  <p>B 2572 X2</p>	<p>F Stanchion</p>  <p>SRS HEX 5 ft and 6 ft X4 8ft X6</p>
<p>G Front and Middle Plate</p>  <p>B 2570 5 ft and 6 ft X2 8ft X4</p>	<p>H Rear Plate</p>  <p>B 2573 X2</p>	<p>I 8mm X 90mm Button Head Bolt</p>  <p>PN 1281 5 ft and 6 ft X2 8ft X4</p>
<p>J 8mm X 14 Bolt</p>  <p>PN 247 5 ft and 6 ft X4 8ft X6</p>	<p>K 8mm X 1.25 Square Nut</p>  <p>PN 1262 5 ft and 6 ft X4 8ft X6</p>	<p>L M8-1.25 U-Nut</p>  <p>PN 909 X4</p>
<p>M M8-1.25X30 Button Head Bolt</p>  <p>PN 688 X4</p>	<p>N 5/16" Flat Washer 1.5" OD</p>  <p>PN 244-CHY X2</p>	<p>O 5mm Allen Wrench</p>  <p>PN 1282 X1</p>

Required tools

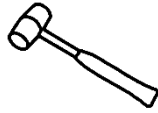


Ratchet / Wrench

13mm

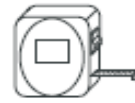


Utility Knife



Rubber Mallet

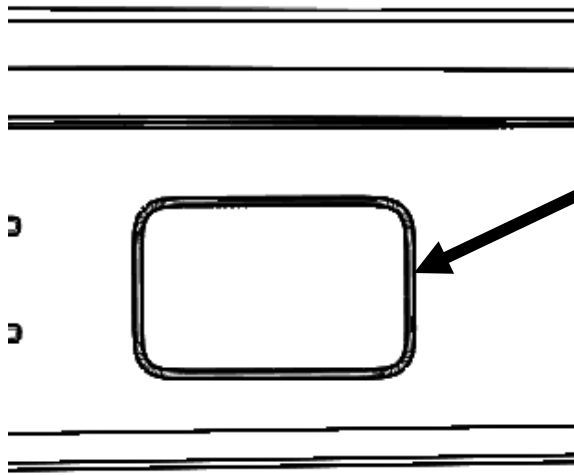
Recommended Tools



Tape Measure

1

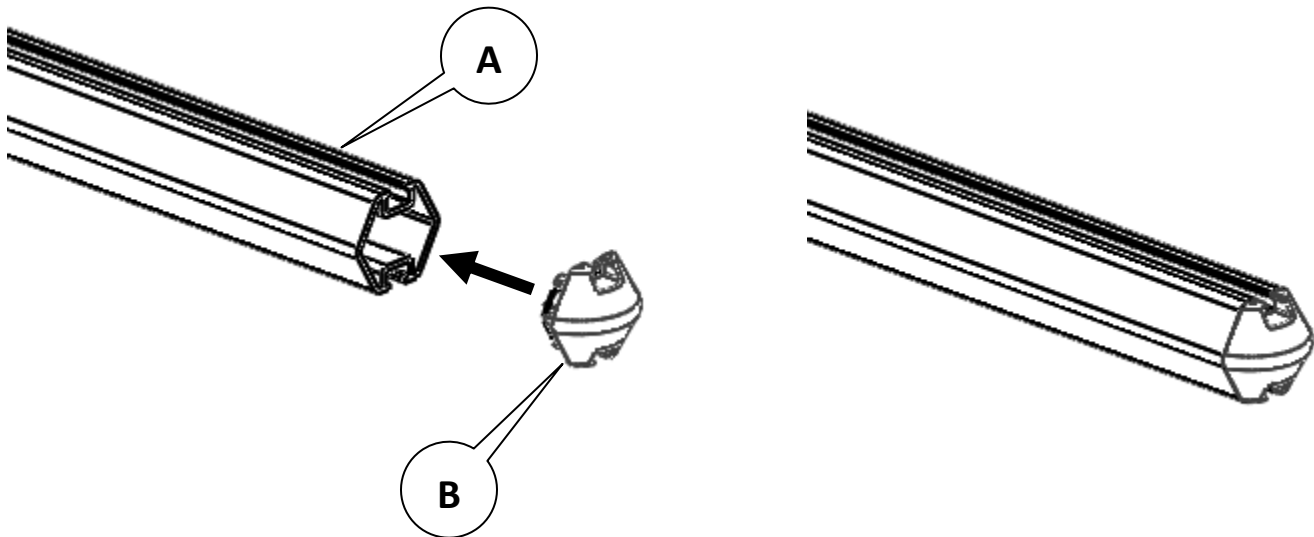
First use the utility knife to cut along the outline of the stake pocket on the bedcap from the front and middle locations. Only the 8 foot bed application has a middle location.



Cut around outline

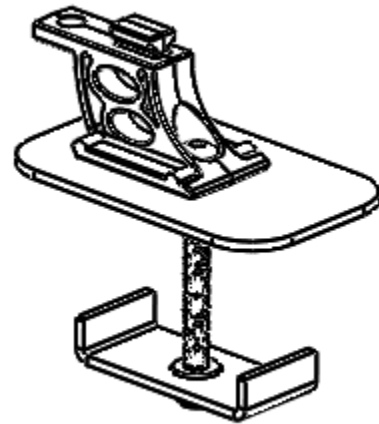
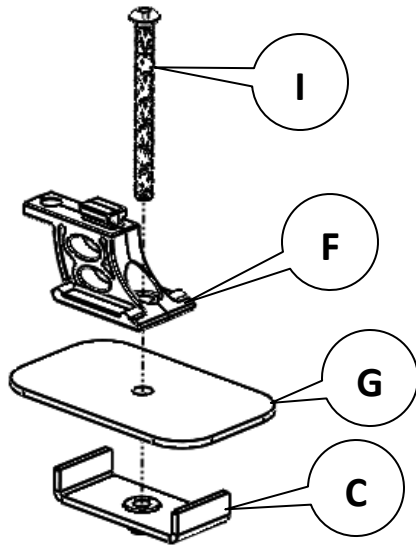
2

Install all endcaps (B) on the rails (A) by first hand pushing them to set in place, then hitting them with a rubber mallet.

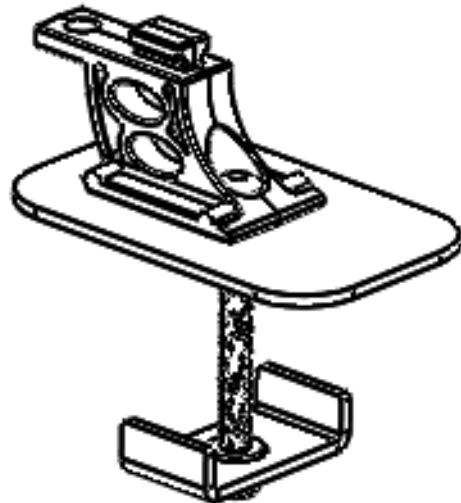
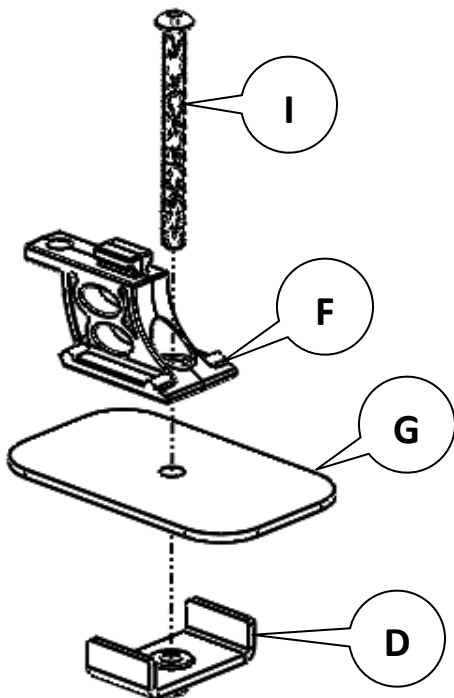


3

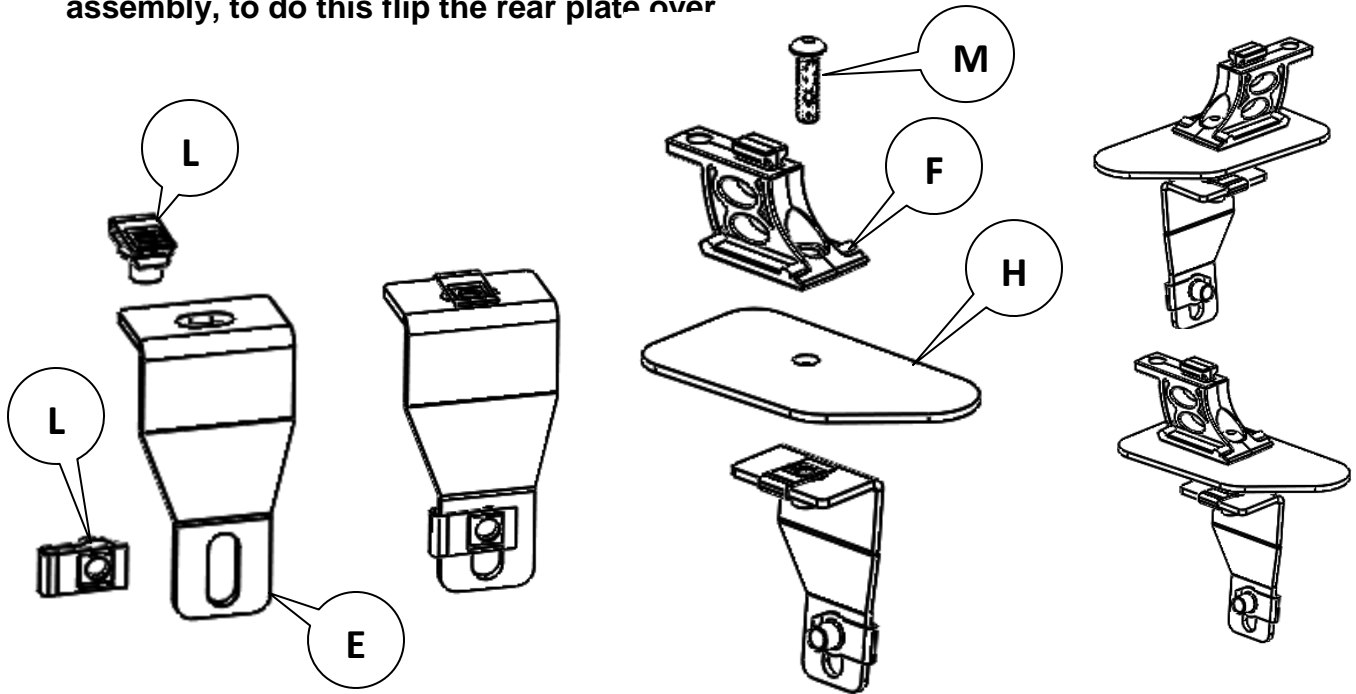
Assemble the front bracket by putting the bolt (I) through the stanchion (F) then through the front plate (G) and thread a front bracket (C) onto the bolt.

**4**

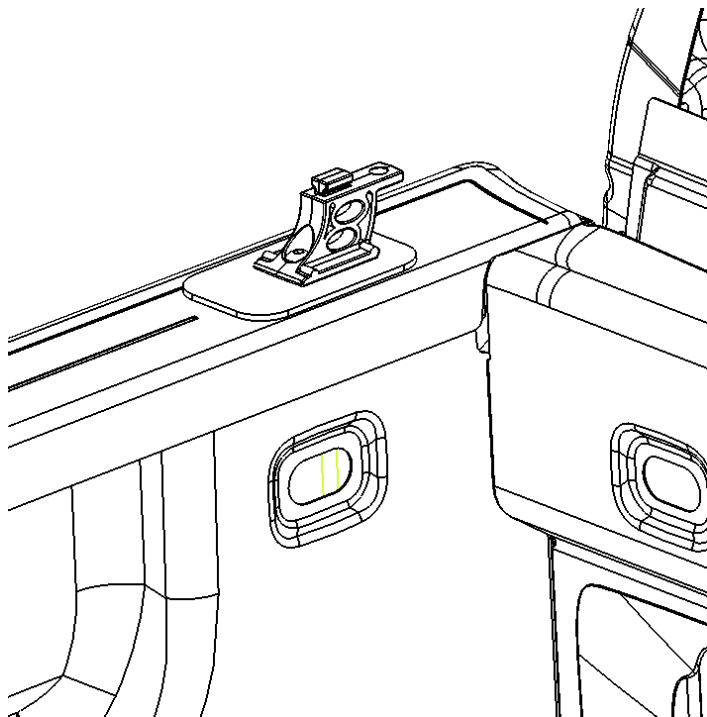
Skip this step if you do not have an 8 foot bed. If you do have an 8 foot bed, assemble the middle bracket by putting the bolt (I) through the stanchion (F) then through the middle plate (G) and thread a middle bracket (D) onto the bolt.



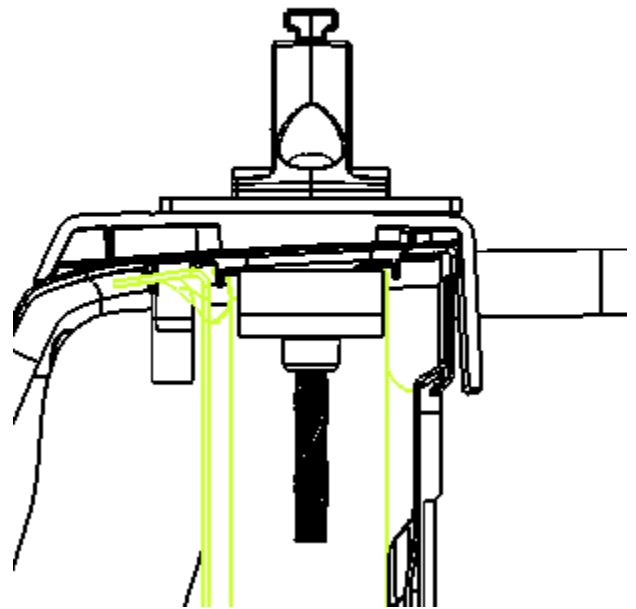
- 5** Assemble the rear bracket by putting the u clips (L) into the slots in the rear bracket (E). Then put the bolt (M) through the stanchion (F) then through the rear plate (H) and thread the rear bracket assembly onto the bolt. There will need to be a left and right assembly, to do this flip the rear plate over



- 6** Install the front bracket assembly from step 3 into the front stake pocket. Twist the front bracket so that the bracket is in line with the truck bed. Hand tighten the bolt. Do not fully tighten hardware at this time.



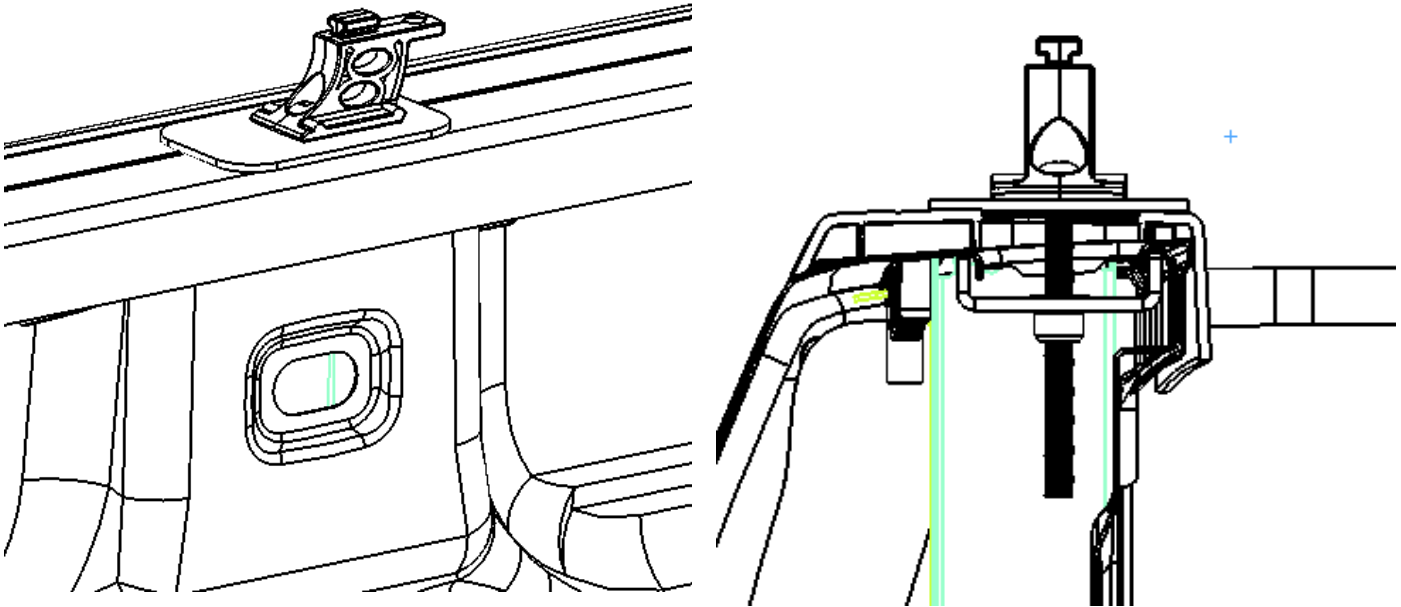
Cut away view from
the back



7

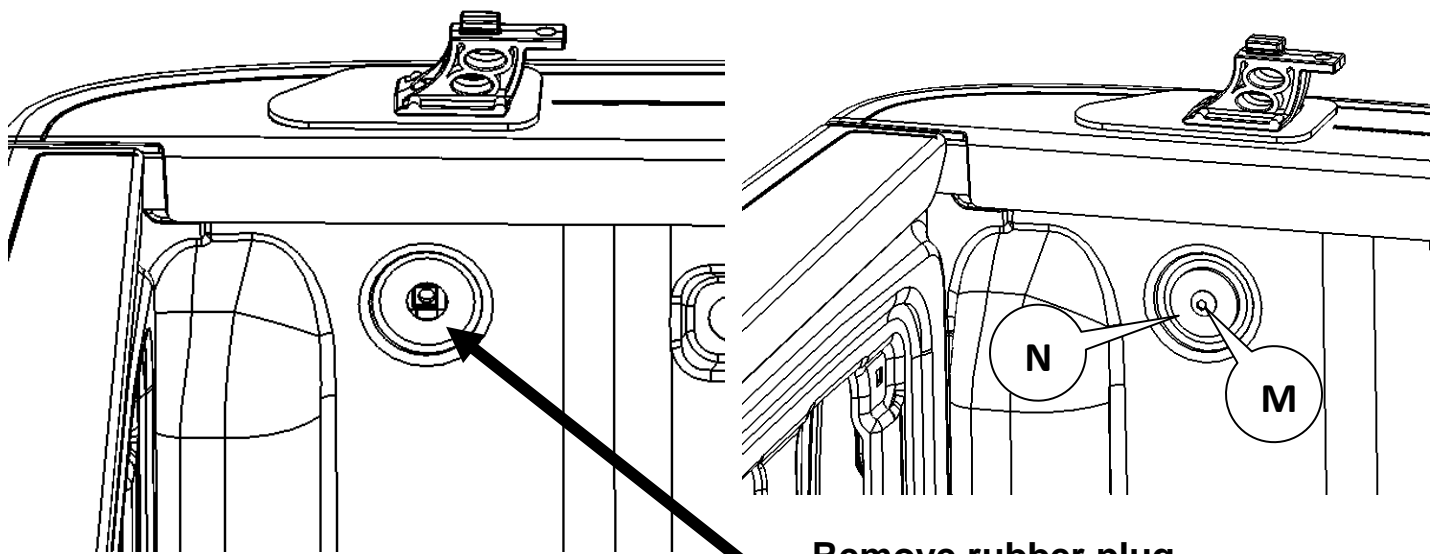
Skip this step if you do not have an 8 foot bed. If you do have an 8 foot bed, install the middle bracket assembly from step 4 into the middle stake pocket. Twist the middle bracket so that the bracket is perpendicular to the truck bed. Hand tighten the bolt. Do not fully tighten hardware at this time.

Cut away view from
the back



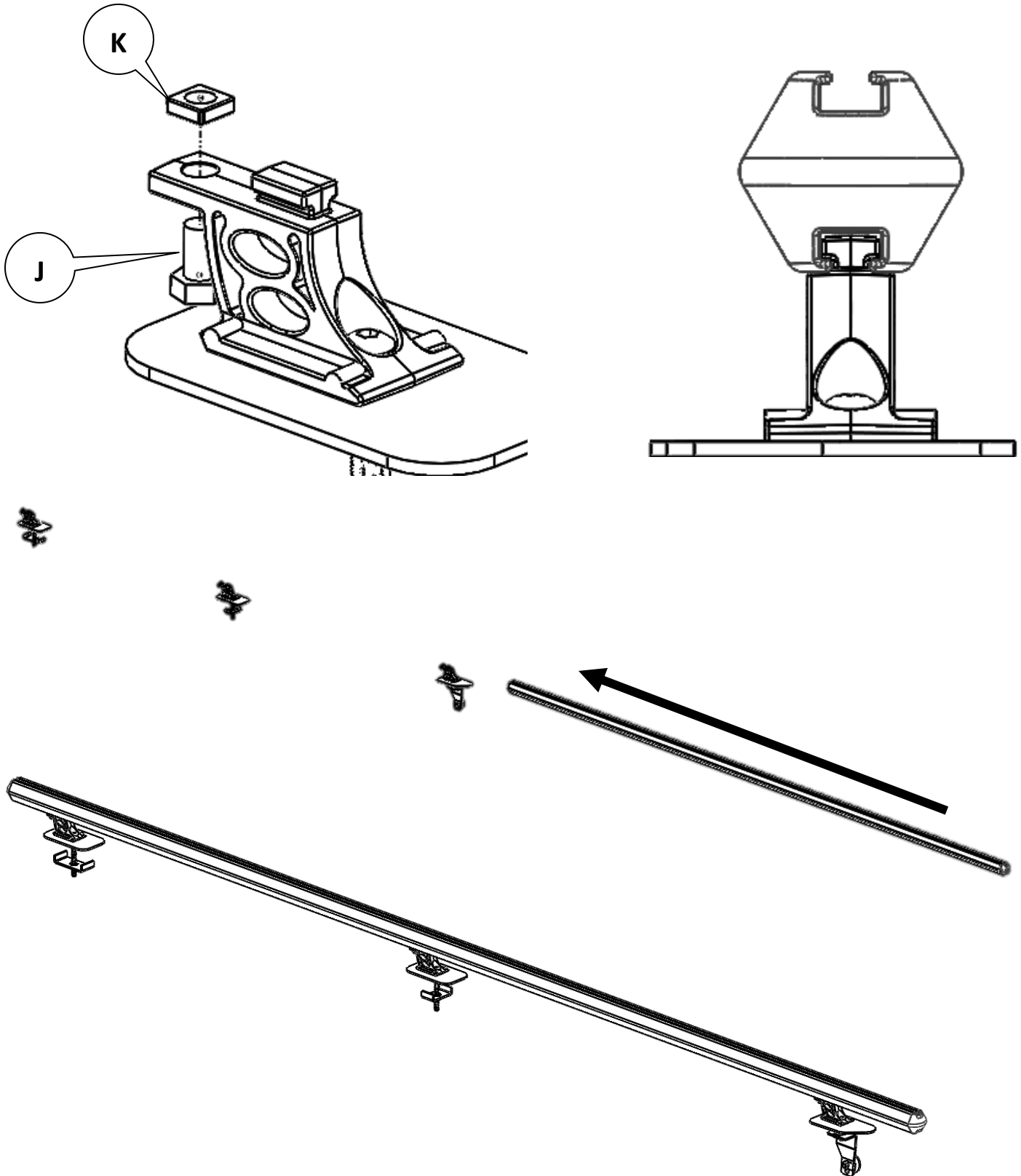
8

To install the rear bracket assembly from step 5 there is a rubber plug that needs removed in the bed of the truck (Shown below). Then lower the bracket into the rear stake pocket and use bolt (M) and washer (N) to secure the bracket to the truck bed. Hand tighten the bolt. Do not fully tighten hardware at this time.



Remove rubber plug
from this location

9 Install bolt (J) and square nut (K) through the upper hole of the stanchions in all locations and slide rail through the stanchions and square nuts. Center the rail and Fully tighten all hardware at this time using the allen wrench (O) provided.



DZ 99701,2,3

Rely on premium truck bed accessories by Dee Zee if you're looking for quality and efficiency.