



INSPECT YOUR PRODUCT FOR DAMAGE & MISSING PARTS BEFORE PROCEEDING TO INSTALLATION

Thank you for choosing Dee Zee to add function and accessorize your vehicle. Dee Zee has been a staple brand in the truck accessory market since 1977 and we hold a reputation of quality manufacturing based in America's Heartland. Our products are born through careful engineering and backed by industry leading warranty programs. We appreciate the opportunity to serve you and your vehicle!

Review the instruction pages in their entirety to prepare the required tools

Warning: Please check for wiring or other obstructions before drilling any holes in the vehicle. If it is necessary to drill any holes, Dee Zee recommends putting a sealant or rust inhibitory around all holes drilled into the body of the vehicle.

It is the sole responsibility of the vehicle owner to check for tire clearance. It is unlawful and dangerous to ride on any external vehicle step while the vehicle is in motion.

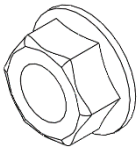
Cleaning: To be entitled to all warranty rights offered with the product, Dee Zee steps need to be cleaned regularly with a mild detergent. Do NOT use abrasive cleaners. For stainless steel products, the application of a high grade automotive wax is recommended.

!WARNING:

Operating, servicing, and maintaining a passenger vehicle can expose you to chemicals such as lead, phthalates, engine exhaust, and carbon monoxide that are known to the State of California cause cancer and birth defects or other reproductive harm. To minimize exposure, service your vehicle and its accessories in a well-vented area and wear gloves or wash your hands frequently.

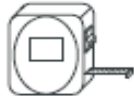
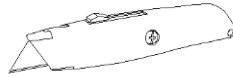
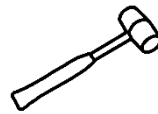


Dee Zee Cares - Please Recycle

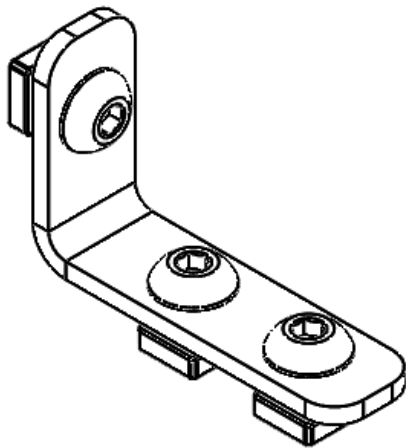
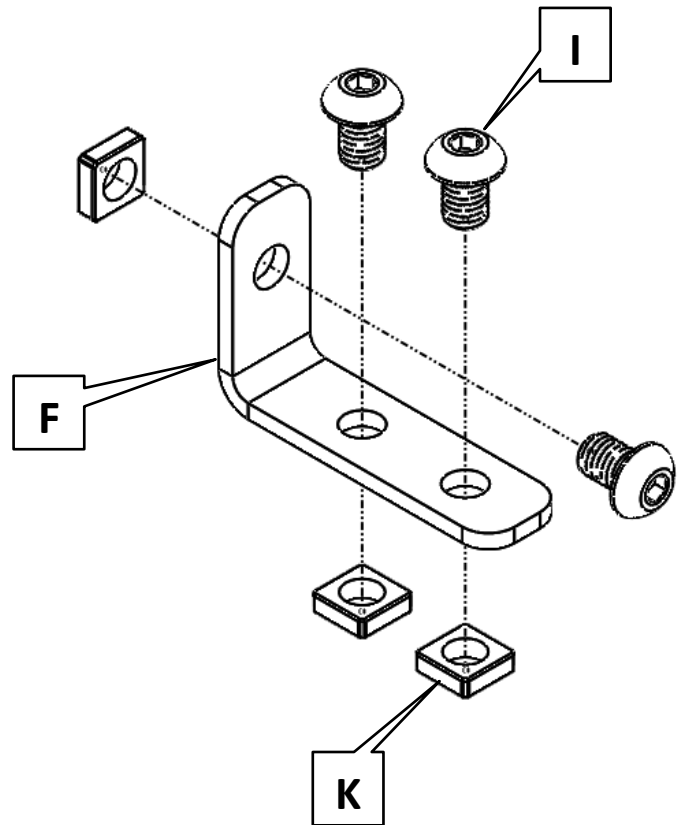
R**M8 Flange Nut**

PN 526

X4

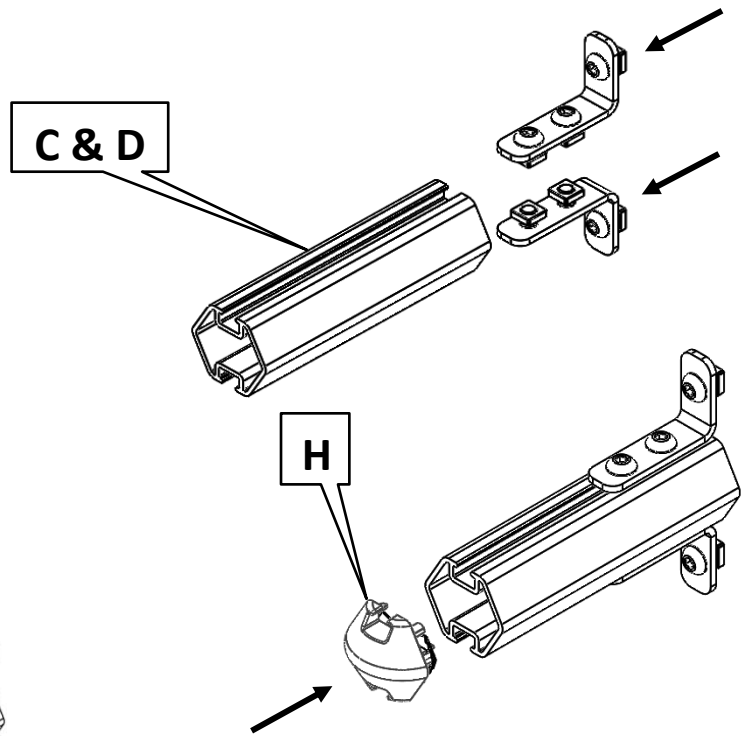
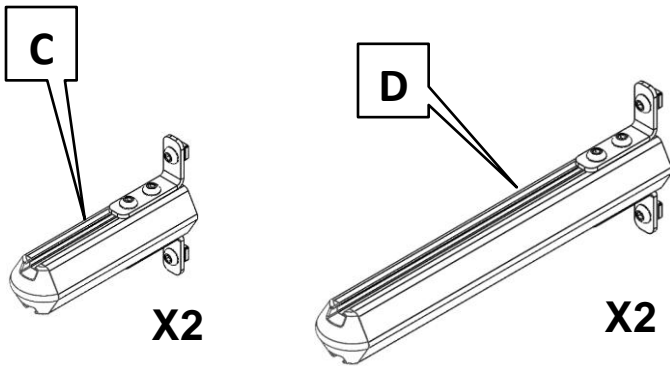
Tools Required
Allen Wrench
5mm

Tape Measure
Inches
**Utility Knife****Rubber Mallet****1****Bracket Assembly**

Install Hardware **(I)** Button Head Bolt, and **(K)** Square Nut onto the **(F)** L Brackets as shown. Turn Blots 2 times into the nuts.

**X16****Bolt Together Cab Rack**

2 Bracket Mounting 6 Inch and 12 Inch Hex Tubes

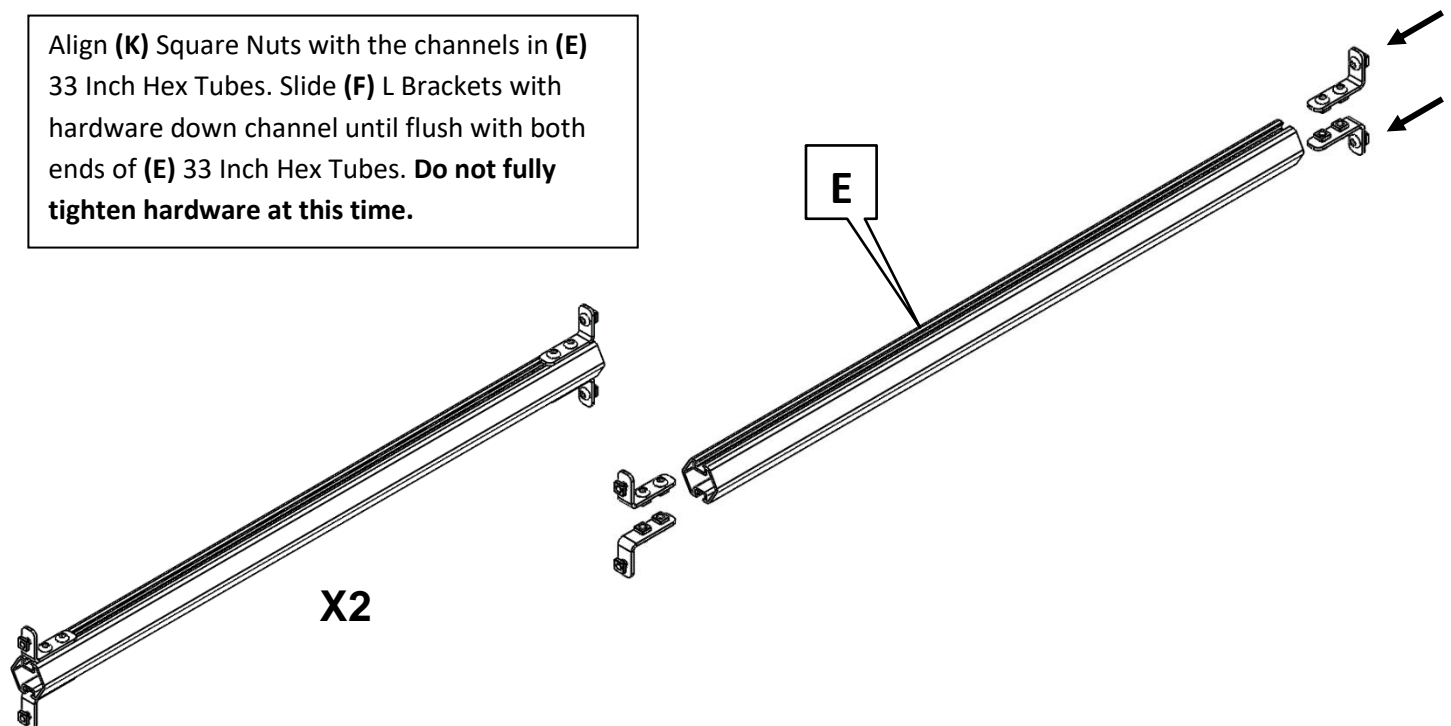
Align (K) Square Nuts with the channels in (C) 6 Inch Hex Tubes and (D) 12 Inch Hex Tubes. Slide (F) L Brackets with hardware down channel until flush with an end of (C) 6 Inch Hex Tube and (D) 12 Inch Hex Tubes. To finish off this step, Install (H) Small Hex Endcap by pressing it onto the end of the Tubes. **Do not fully tighten hardware at this time.**



Install endcaps (H) on the tubes (C&E) by first hand pushing them to set in place, then hitting them with a rubber mallet.

3 Bracket Mounting 33 Inch Hex Tubes

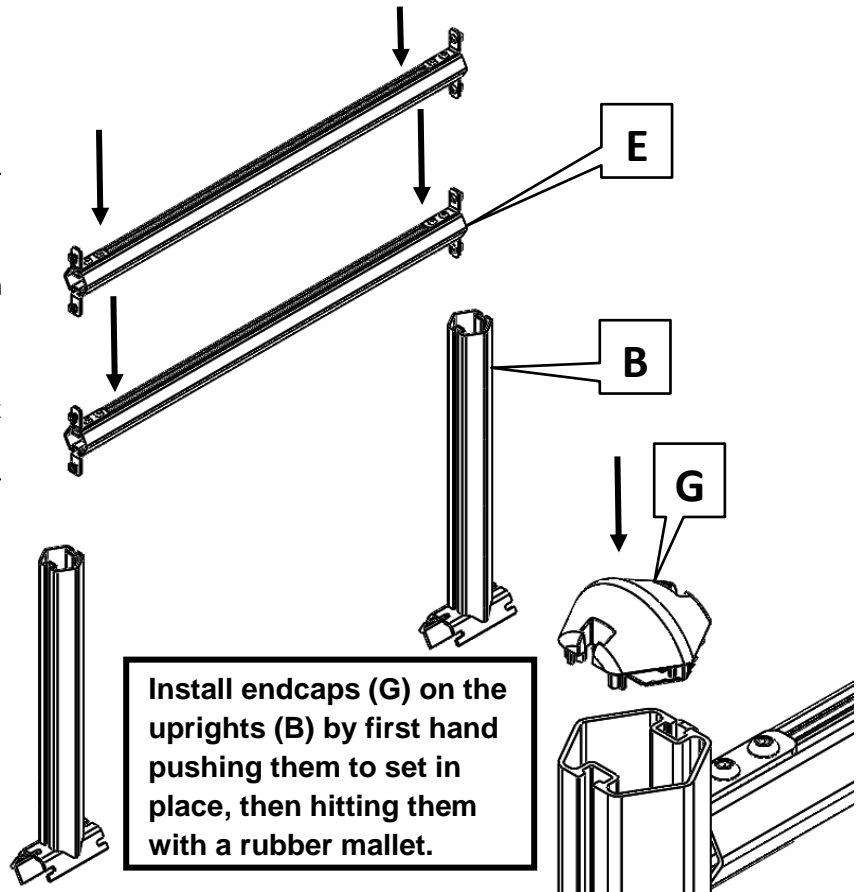
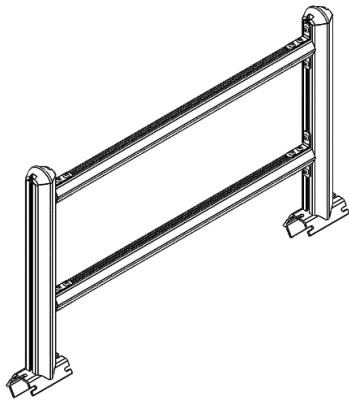
Align (K) Square Nuts with the channels in (E) 33 Inch Hex Tubes. Slide (F) L Brackets with hardware down channel until flush with both ends of (E) 33 Inch Hex Tubes. **Do not fully tighten hardware at this time.**



Bolt Together Cab Rack

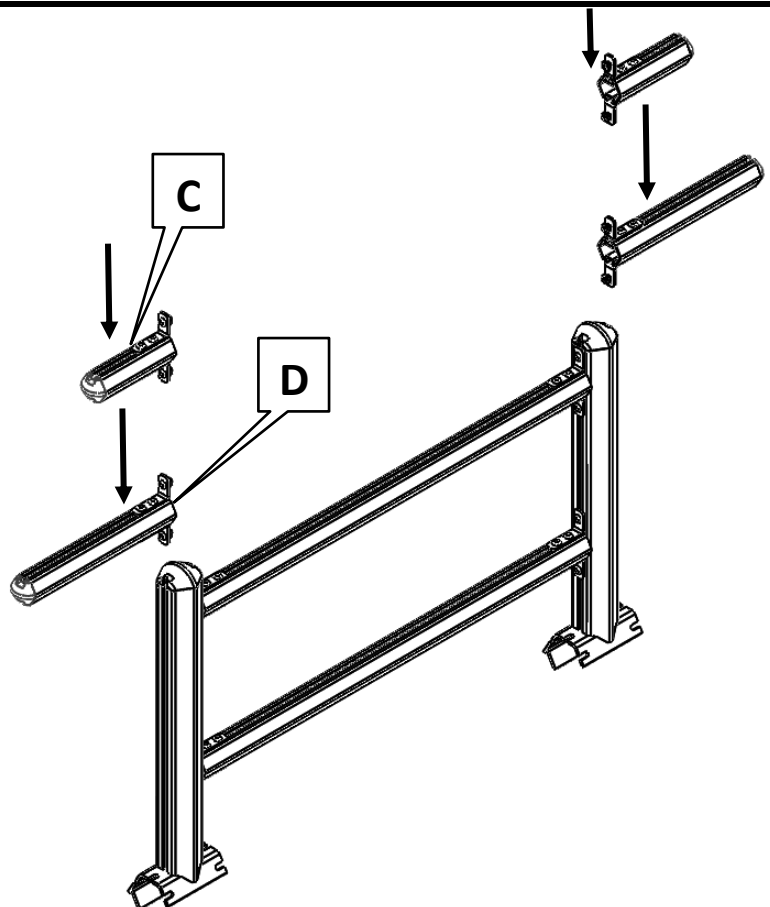
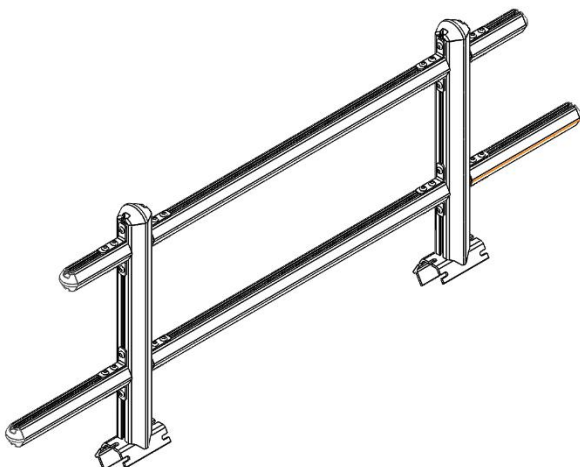
4 Mounting 33 Inch Hex Tubes to Uprights

Align (K) Square Nuts with the channels in (B) Uprights. Slide (F) L Brackets with hardware down channel until desired positions. To finish off this step, Install (G) Large Hex Endcap by pressing it into the end of the Uprights. Center, Level and fully tighten (E) 33 Inch Hex Tubes to (B) Uprights at this time.



5 Mounting 12 Inch and 6 Inch Hex Tubes to Uprights

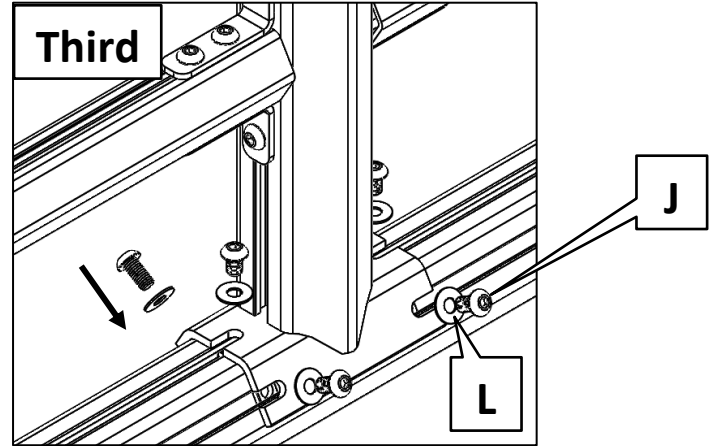
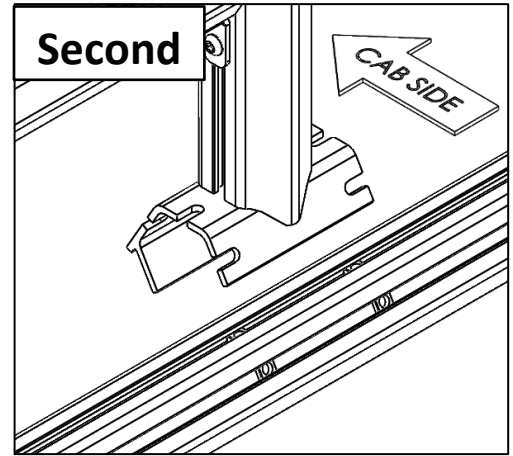
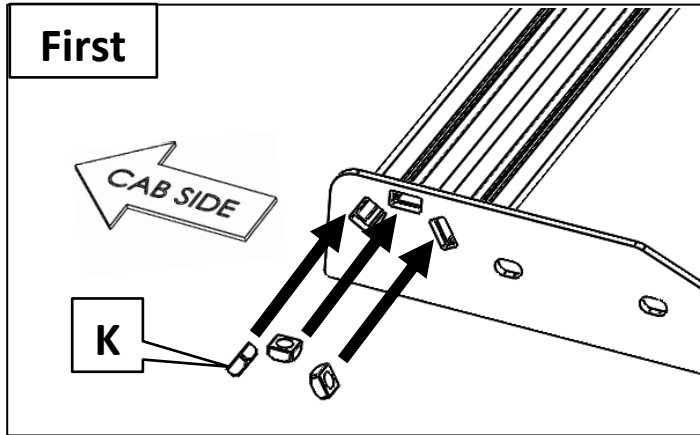
Align (K) Square Nuts with the channels in (D) 12 Inch Hex Tubes and (C) 6 Inch Hex Tubes. Slide (F) L Brackets with hardware down channel until level with (E) 33 Inch Hex Tubes. Level, fully tighten (D) 12 Inch Hex Tubes and (C) 6 Inch Hex Tubes to (B) Uprights at this time.



Bolt Together Cab Rack

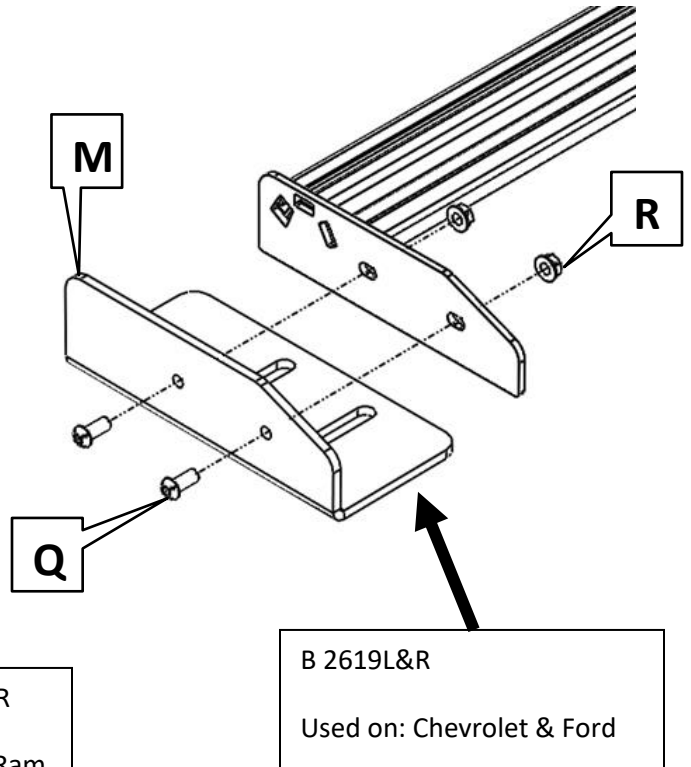
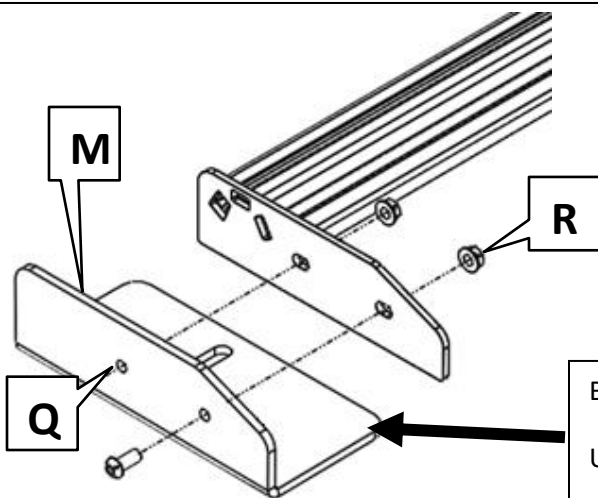
6 Mounting Uprights to Base

First install 4 (K) Square Nuts per channel into the three channels of (A) Base and slide (K) Square Nuts roughly where the slots of (B) Uprights will be. Then install (B) Uprights onto (A) Base. Start (J) Bolt and (L) Washer. **Do not fully tighten hardware at this time.**



7 Mounting Base Braces Assembly

Install base brace (M) by placing braces on the Ends of the Base as shown. Then use Bolt (Q) and Nut (R) to attach. Repeat on other side **Fully Tighten Hardware at this time.**

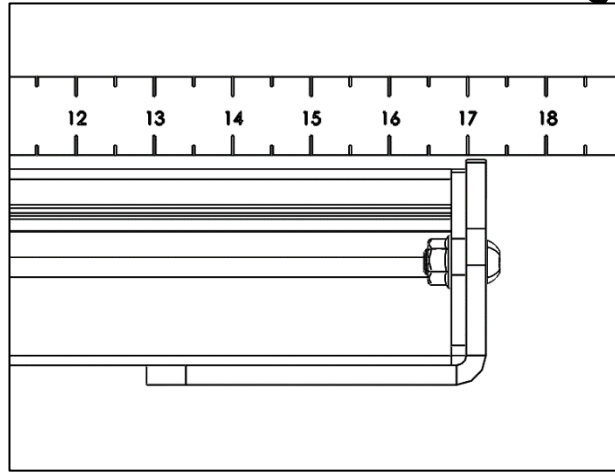
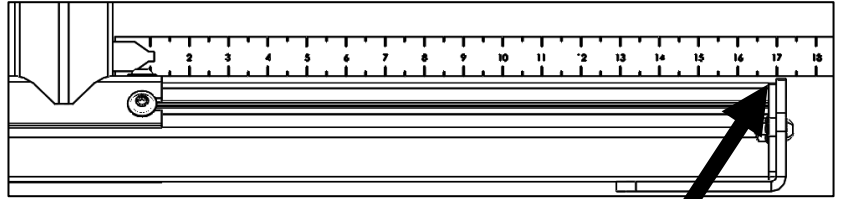
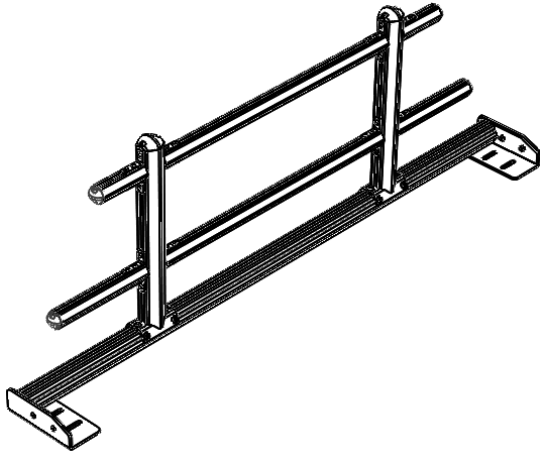


Bolt Together Cab Rack

8

Positioning Uprights to Base

Center (B) Uprights onto (A) Base by measuring approximately 17 Inches from the inside face of the base brace to the side of the upright. (As Shown) **Fully tighten all hardware at this time.**



8

Cab Rack Installation

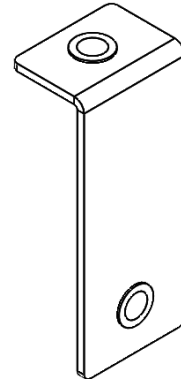
Brackets For Trucks (P)

Ford

B 2618PN

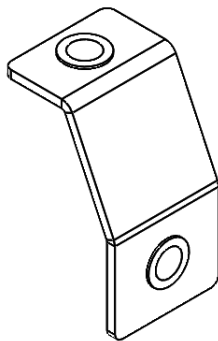
Chevrolet & GMC

B 2616PN



Ram

B 2617PN



2013-2018

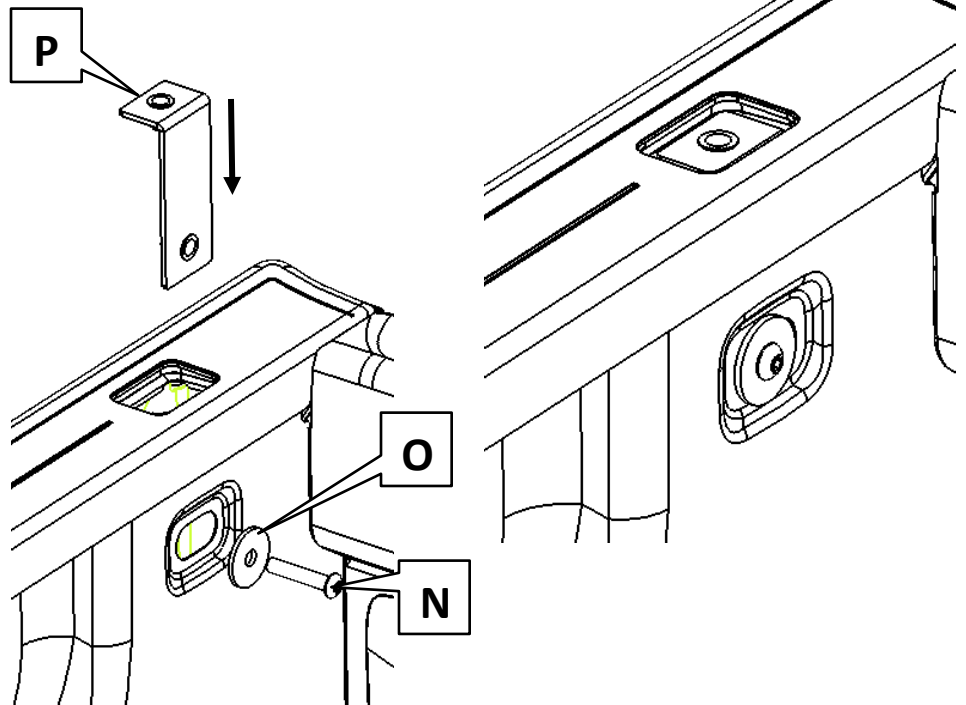
2019-Current

Bolt Together Cab Rack

9 Cab Rack Installation

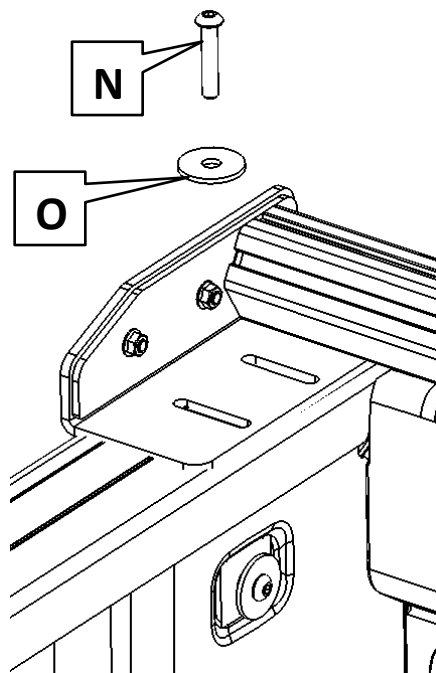
Install the correct bracket for your vehicle by lowering it into the front stake pocket and installing **(N)** bolt and **(O)** washer. Install so the top of the bracket is below the top of the bedcap. **Do not fully tighten at this time.**

On some Vehicles the Plastic bed cap must be cut to access the stake pocket.

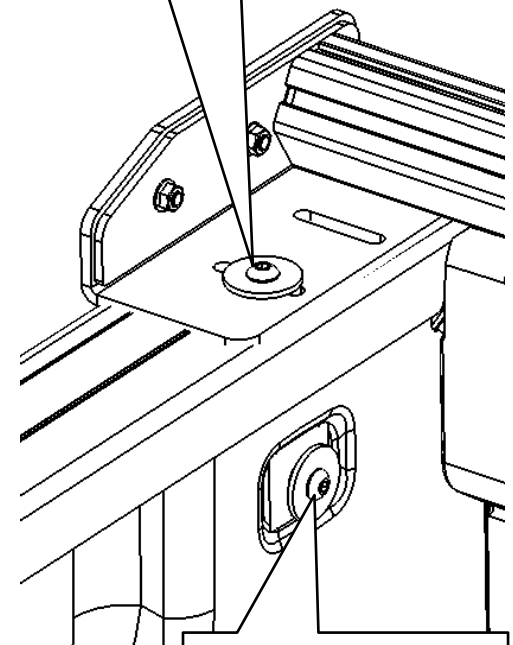


10 Cab Rack Installation

Install Hex Series Truck Rack onto bedcaps and line up the slots in the Base with the Stake Brackets. Install using **(N)** Bolt and **(O)** washer.



**Tighten
Second**



Center the Cab Rack and tighten the bottom bolt first then the top bolt.

Bolt Together Cab Rack