



Dee Zee Bumper Installation Instructions

Congratulations on your purchase of a quality Dee Zee product. Dee Zee is recognized as having the highest quality accessories on the market today. We have earned this reputation by offering our customers a product they can be proud to place on their vehicles.

Note: Please take time to read all of the instructions before beginning this installation.

WARNING!

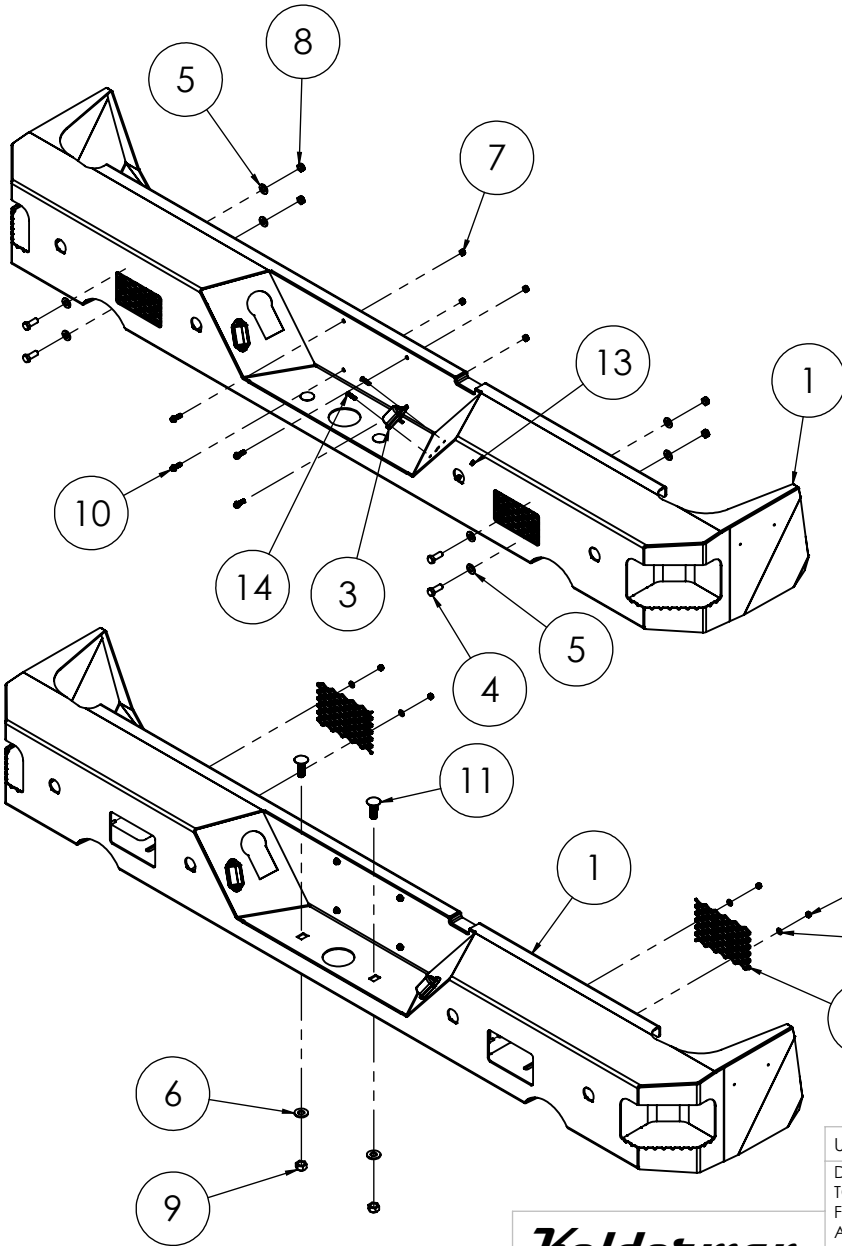
This product can reduce the driver's ability to clearly see roadways, vehicular or pedestrian traffic and other objects through the rear and side windows of the vehicle, which can cause an accident. Extra precautions should be taken when driving a vehicle with this product. Make all adjustments necessary to ensure maximum visibility, including but not limited to, changing mirror and seating positions. State and local laws may prohibit obstruction of windows in a moving vehicle.

WARNING!

These instructions are to be followed using the parts and fasteners supplied for proper installation. Any modifications or improper installation of this product will create a hazardous condition that can cause property damage, serious personal injury or death.

NOTICE

Any modification or unintended use of this product shall immediately void all manufacturers' warranties. Manufacturer disclaims all liability for injuries to persons or property resulting from any modification to, or unintended use of this product.



ITEM NO.	PART NUMBER	DESCRIPTION	QTY.
	<i>Weldments</i>		
1	71080	Assembly - Rear Bumper - Dual Exhaust	1
	<i>Parts</i>		
2	71014	MS 6" x 4" Screen	2
	<i>Purchased Parts</i>		
3	80132	License Plate Light - DeeZee - LED Natural White	2
	<i>Hardware</i>		
4	12210	Bolt - 3/8"-16 X 1.00 - Gr.8	4
5	13002	FLAT WASHER - 3/8"	8
6	13004	1/2" Flat Washer	2
7	13100	Nut - Locking - 1/4" - 20 - GR5	4
8	13102	LOCK NUT - 3/8"-16 GR8	4
9	13104	1/2" Lock Nut	2
10	13821	1/4"-20 x 3/4" FLANGE HEAD CAP SCREW	4
11	13839	1/2"-13 X 1-1/2" CARRIAGE BOLT - GR5	2
12	14062	#10 SAE Flat Washer	4
13	14078	#10-32 Nylon Lock Nut	8
14	14080	#10-32 x 3/4" - Oval Head Phillips Machine Screw - SS	4

UNLESS OTHERWISE SPECIFIED:
 DIMENSIONS ARE IN INCHES
 TOLERANCES:
 FRACTIONAL $\pm 1/32"$
 ANGULAR: MACH ± 1 BEND ± 1
 TWO PLACE DECIMAL $\pm .030$
 THREE PLACE DECIMAL $\pm .010$

DESIGN BY	TJA
Shelf #/ QTY	
NEW DXF	
Run QTY	

Project: DeeZee - Dodge Ram - 2009+
 1500 - Dual Exhaust - Rear Bumper

TITLE: Assembly - Rear Bumper
 - Dual Exhaust

SIZE	DWG. NO.
A	62300RRAW

SCALE: 1:50	DO NOT SCALE DRAWING	SHEET 1 OF 1
-------------	----------------------	--------------

Kelderman

PROPRIETARY AND CONFIDENTIAL

THE INFORMATION CONTAINED IN THIS DRAWING IS THE SOLE PROPERTY OF KELDERMAN MFG. INC. ANY REPRODUCTION IN PART OR AS A WHOLE WITHOUT THE WRITTEN PERMISSION OF KELDERMAN MFG. INC. IS PROHIBITED.

MATERIAL

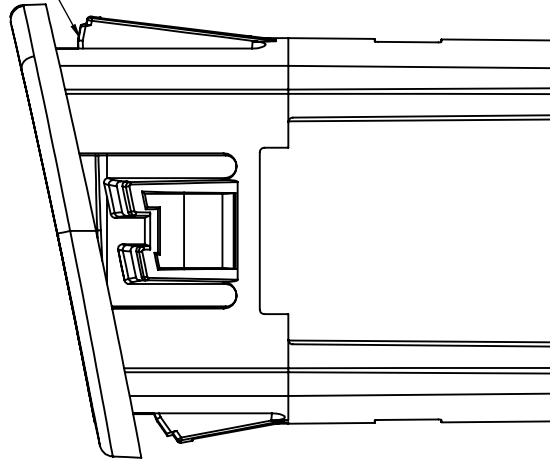
FINISH

WEIGHT
74.86



For some bumper applications, it will be necessary to tune the backup sensor housing to fit the new bumper. Most of the sensor housings utilize a plastic housing that snaps into the bumper. If the snap features do not work correctly, it will be necessary to file a small amount of the snap feature so that it snaps into the bumper correctly.

File away any extra plastic



UNLESS OTHERWISE SPECIFIED:
 DIMENSIONS ARE IN INCHES
 TOLERANCES, Unless Specified
 FRACTIONAL $\pm 1/32"$
 ANGULAR: MACH $\pm .5^\circ$
 TWO PLACE DECIMAL $\pm .03$
 THREE PLACE DECIMAL $\pm .010$

MATERIAL
 FINISH
 WEIGHT

DESIGN BY

TJA

Shelf #/ QTY

NEW DXF

Run QTY

PROPRIETARY AND CONFIDENTIAL

THE INFORMATION CONTAINED IN THIS
 DRAWING IS THE SOLE PROPERTY OF
 KELDERMAN MFG. INC. ANY
 REPRODUCTION IN PART OR AS A WHOLE
 WITHOUT THE WRITTEN PERMISSION OF
 KELDERMAN MFG. INC. IS PROHIBITED.

Project: Purchased

TITLE: Parking Sensor Bezel

DWG. NO.

80055

SCALE: 1:1

kelderman

DO NOT SCALE DRAWING

SHEET 2 OF 2