



Dee Zee Bumper Installation Instructions

Congratulations on your purchase of a quality Dee Zee product. Dee Zee is recognized as having the highest quality accessories on the market today. We have earned this reputation by offering our customers a product they can be proud to place on their vehicles.

Note: Please take time to read all of the instructions before beginning this installation.

WARNING!

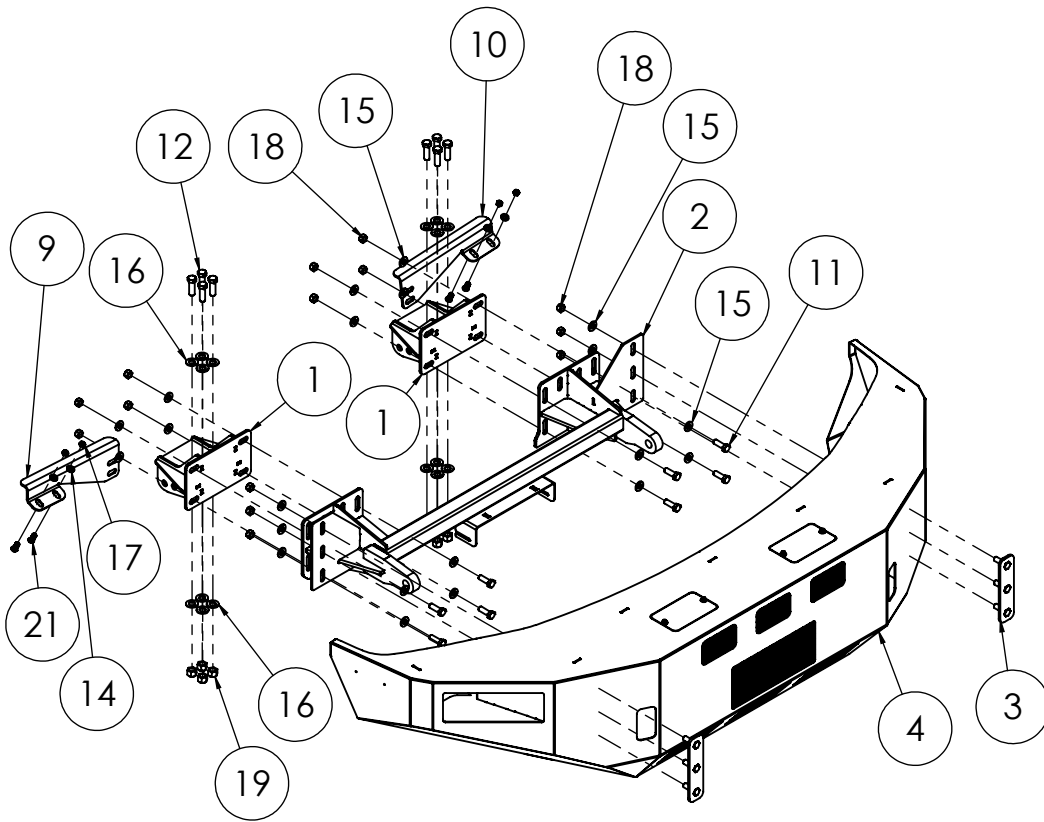
This product can reduce the driver's ability to clearly see roadways, vehicular or pedestrian traffic and other objects through the rear and side windows of the vehicle, which can cause an accident. Extra precautions should be taken when driving a vehicle with this product. Make all adjustments necessary to ensure maximum visibility, including but not limited to, changing mirror and seating positions. State and local laws may prohibit obstruction of windows in a moving vehicle.

WARNING!

These instructions are to be followed using the parts and fasteners supplied for proper installation. Any modifications or improper installation of this product will create a hazardous condition that can cause property damage, serious personal injury or death.

NOTICE

Any modification or unintended use of this product shall immediately void all manufacturers' warranties. Manufacturer disclaims all liability for injuries to persons or property resulting from any modification to, or unintended use of this product.



| ITEM NO. | PART NUMBER | DESCRIPTION | QTY. |
|------------------|-------------|---|------|
| <i>Weldments</i> | | | |
| 1 | 32020 | Weldment - Front Bumper Mount | 2 |
| 2 | 71000 | Universal Tow Hook / Light Bar Bracket | 1 |
| 3 | 71047 | DeeZee Bumper Bolt-On Bracket | 2 |
| 4 | 71155 | Assembly - Front Bumper | 1 |
| <i>Parts</i> | | | |
| 5 | 71014 | MS 6" x 4" Screen | 3 |
| 6 | 71016 | MS 8" x 6" Screen | 3 |
| 7 | 71018 | Winch Opening Cover | 2 |
| 8 | 71029 | MS 13" x 6.2" Screen | 1 |
| 9 | 71162 | Plate - 7ga - Corner Brace (PS) - w/Bends | 1 |
| 10 | 71163 | Plate - 7ga - Corner Brace (DS) - w/Bends | 1 |
| <i>Hardware</i> | | | |
| 11 | 12006 | BOLT - 1/2"-13 X 1 1/4" - GR8 | 8 |
| 12 | 12307 | SCREW-HCS-.56-18X1.75-GR8-YZ | 8 |
| 13 | 13000 | 1/4" Flat STRL Washer | 4 |
| 14 | 13002 | FLAT WASHER - 3/8" | 4 |
| 15 | 13004 | 1/2" Flat Washer | 22 |
| 16 | 13005 | 9/16" Lock Washer | 16 |
| 17 | 13102 | LOCK NUT - 3/8"-16 GR8 | 4 |
| 18 | 13104 | 1/2" Lock Nut | 14 |
| 19 | 13125 | NUT-TLHEX-.56-18-C-YZ | 8 |
| 20 | 13503 | SOCKET HEAD - 1/4"-20 X 1/2" - SS | 4 |
| 21 | 13618 | BUTTON HEAD - 3/8"-16 X 1" GR5 | 4 |
| 22 | 14062 | #10 SAE Flat Washer | 16 |
| 23 | 14078 | #10-32 Nylon Lock Nut | 16 |

Kelderman
 PROPRIETARY AND CONFIDENTIAL
 THE INFORMATION CONTAINED IN THIS DRAWING IS THE SOLE PROPERTY OF KELDERMAN MFG. INC. ANY REPRODUCTION IN PART OR AS A WHOLE WITHOUT THE WRITTEN PERMISSION OF KELDERMAN MFG. INC. IS PROHIBITED.

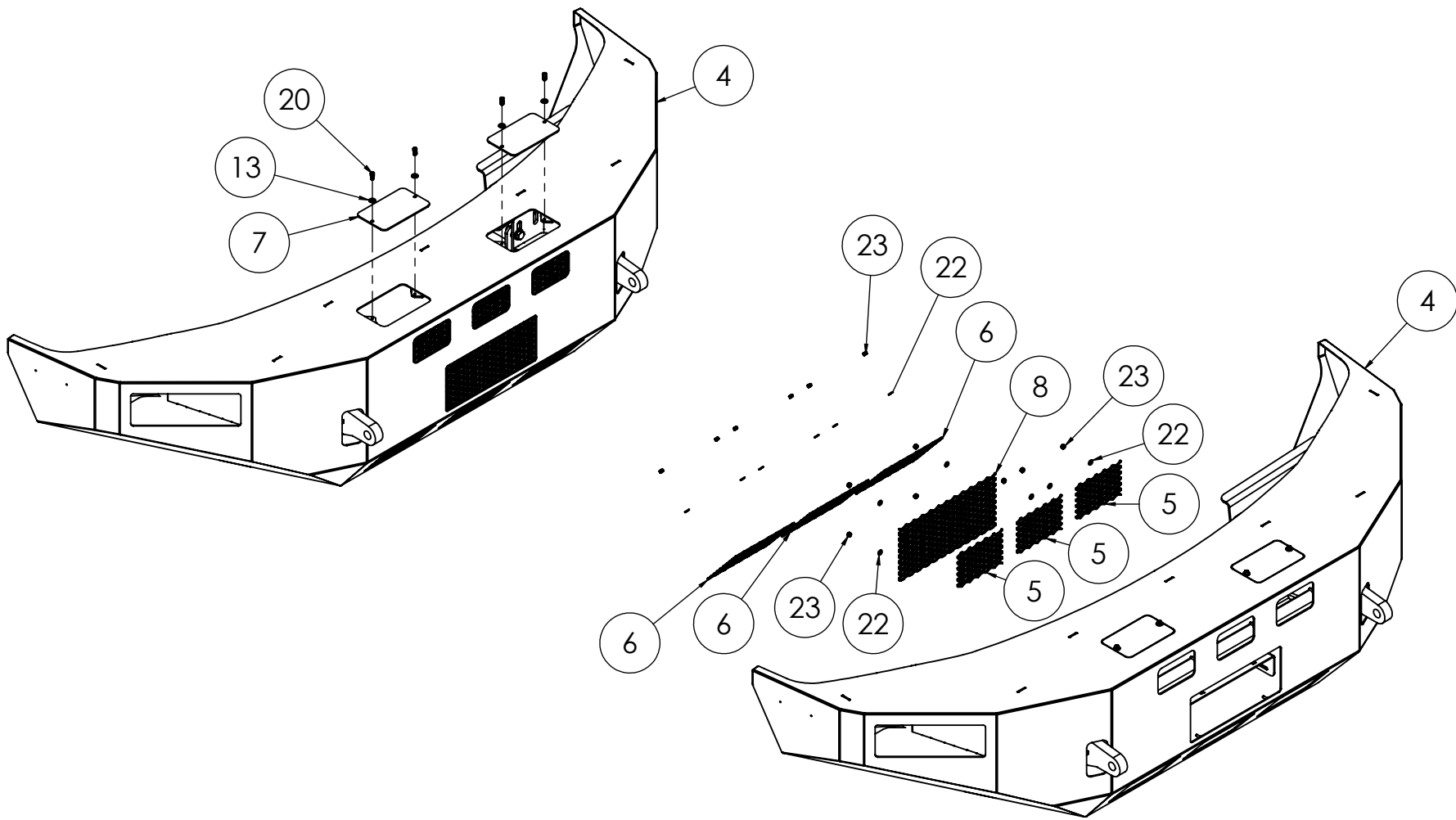
UNLESS OTHERWISE SPECIFIED:
 DIMENSIONS ARE IN INCHES
 TOLERANCES:
 FRACTIONAL ± 1/32"
 ANGULAR: MACH ± 1 BEND ± 1
 TWO PLACE DECIMAL ±.030
 THREE PLACE DECIMAL ±.010

MATERIAL
 FINISH
 WEIGHT **177.74**

DESIGN BY TJA
 Shelf #/ QTY
 NEW DXF
 Run QTY



Friday, November 04, 2016 8:26:41 AM
 Project: DeeZee - 2017+ Ford SuperDuty - Front Bumper
 TITLE: Assembly - Front Bumper
 SIZE DWG. NO. **A** 62201WRAW
 SCALE: 1:50 DO NOT SCALE DRAWING SHEET 1 OF 2



Kelderman
 PROPRIETARY AND CONFIDENTIAL
 THE INFORMATION CONTAINED IN THIS DRAWING IS THE SOLE PROPERTY OF KELDERMAN MFG. INC. ANY REPRODUCTION IN PART OR AS A WHOLE WITHOUT THE WRITTEN PERMISSION OF KELDERMAN MFG. INC. IS PROHIBITED.

UNLESS OTHERWISE SPECIFIED:
 DIMENSIONS ARE IN INCHES
 TOLERANCES:
 FRACTIONAL $\pm 1/32"$
 ANGULAR: MACH ± 1 BEND ± 1
 TWO PLACE DECIMAL $\pm .030$
 THREE PLACE DECIMAL $\pm .010$

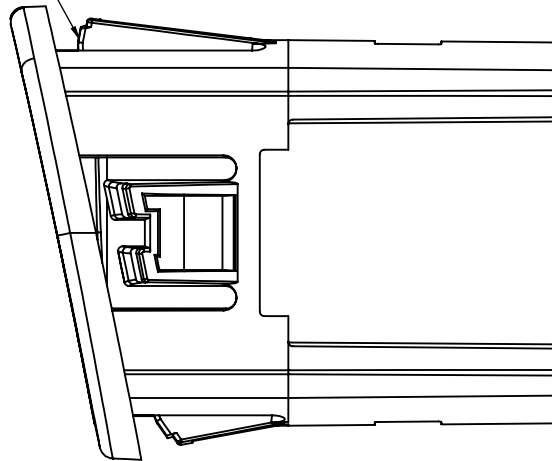
MATERIAL
 FINISH
 WEIGHT **177.74**

DESIGN BY TJA
 CHECKED
 NEW DXF
 QTY:


Friday, November 04, 2016 8:26:41 AM
 Project: DeeZee - 2017+ Ford SuperDuty - Front Bumper
 TITLE: Assembly - Front Bumper
 SIZE DWG. NO. **A** 62201WRAW
 SCALE: 1:20 DO NOT SCALE DRAWING SHEET 2 OF 2

For some bumper applications, it will be necessary to tune the backup sensor housing to fit the new bumper. Most of the sensor housings utilize a plastic housing that snaps into the bumper. If the snap features do not work correctly, it will be necessary to file a small amount of the snap feature so that it snaps into the bumper correctly.

File away any extra plastic



| | | | | | | | |
|---|--|--|--|-------------------------------------|-------|---|--|
| UNLESS OTHERWISE SPECIFIED: | | | | DESIGN BY | TJA | Wednesday, February 24, 2016 3:10:55 PM | |
| DIMENSIONS ARE IN INCHES TOLERANCES, Unless Specified FRACTIONAL $\pm 1/32"$ ANGULAR: MACH $\pm .5^\circ$ TWO PLACE DECIMAL $\pm .03$ THREE PLACE DECIMAL $\pm .010$ | | | | Shelf #/ QTY | | Project: Purchased | |
| | | | | NEW DXF | | TITLE: Parking Sensor Bezel | |
| | | | | Run QTY | | | |
| | | | | PROPRIETARY AND CONFIDENTIAL | | | |
| MATERIAL | THE INFORMATION CONTAINED IN THIS DRAWING IS THE SOLE PROPERTY OF KELDERMAN MFG. INC. ANY REPRODUCTION IN PART OR AS A WHOLE WITHOUT THE WRITTEN PERMISSION OF KELDERMAN MFG. INC. IS PROHIBITED. | | | DWG. NO. | 80055 | SCALE: 1:1 | |
| FINISH | | | | kelderman | | DO NOT SCALE DRAWING | |
| WEIGHT | | | | | | SHEET 2 OF 2 | |