



INSPECT YOUR PRODUCT FOR DAMAGE & MISSING PARTS BEFORE PROCEEDING TO INSTALLATION

PROCEDURE FOR RETURNS OR MISSING HARDWARE

-PLEASE CONTACT THE ORIGINAL POINT OF PURCHASE FOR:
SHIPPING DAMAGE, RETURNS, OR WARRANTY CLAIMS

-CONTACT DEE ZEE DIRECTLY FOR MISSING PARTS OR HARDWARE

⚠️WARNING: Cancer and Reproductive Harm

Operating, servicing, and maintaining a passenger vehicle can expose you to chemicals such as lead, phthalates, engine exhaust, and carbon monoxide that are known to the State of California cause cancer and birth defects or other reproductive harm. To minimize exposure, service your vehicle and its accessories in a well-vented area and wear gloves or wash your hands frequently.



Dee Zee Bumper Installation Instructions

Congratulations on your purchase of a quality Dee Zee product. Dee Zee is recognized as having the highest quality accessories on the market today. We have earned this reputation by offering our customers a product they can be proud to place on their vehicles.

Note: Please take time to read all of the instructions before beginning this installation.

WARNING!

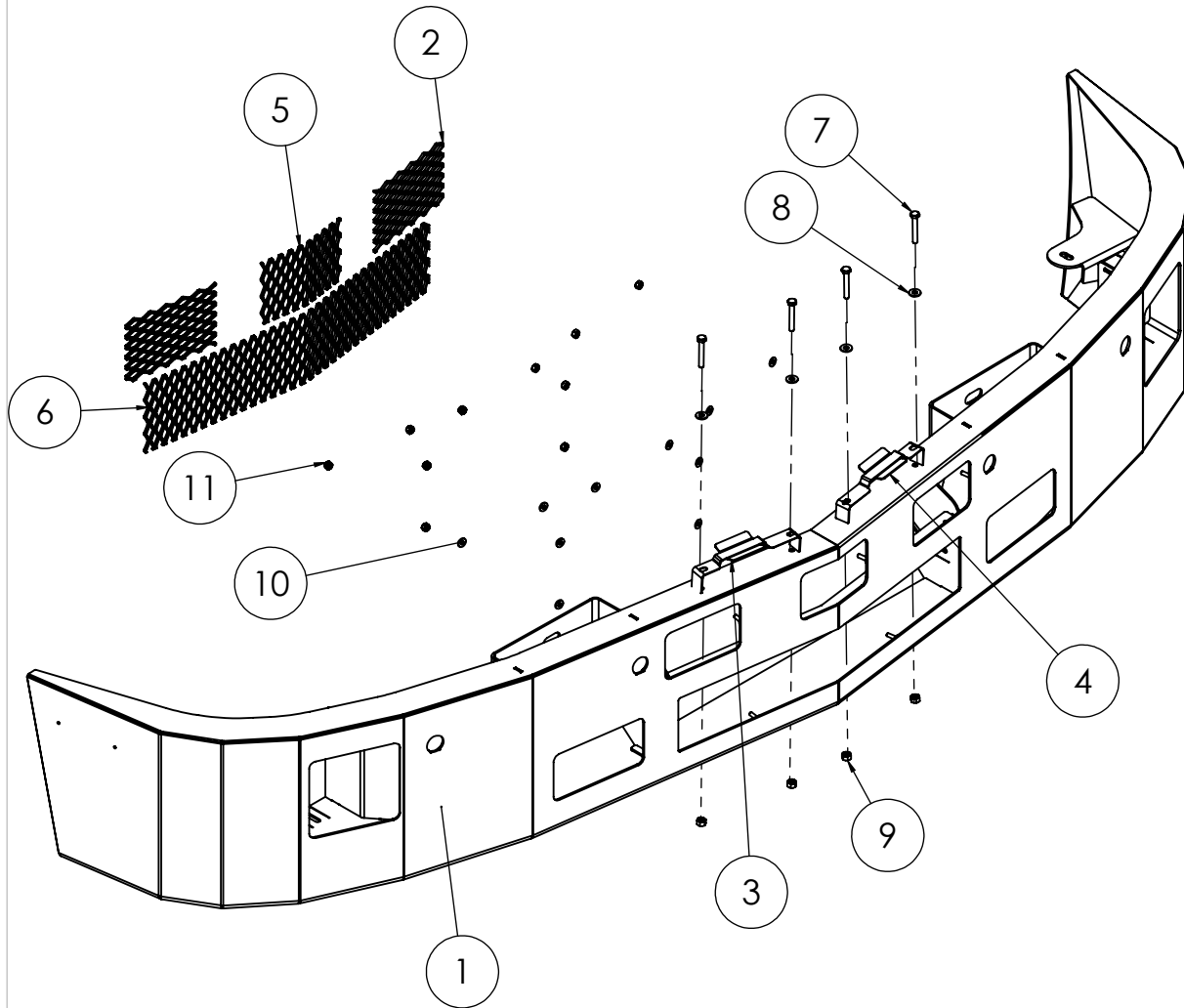
This product can reduce the driver's ability to clearly see roadways, vehicular or pedestrian traffic and other objects through the rear and side windows of the vehicle, which can cause an accident. Extra precautions should be taken when driving a vehicle with this product. Make all adjustments necessary to ensure maximum visibility, including but not limited to, changing mirror and seating positions. State and local laws may prohibit obstruction of windows in a moving vehicle.

WARNING!

These instructions are to be followed using the parts and fasteners supplied for proper installation. Any modifications or improper installation of this product will create a hazardous condition that can cause property damage, serious personal injury or death.

NOTICE

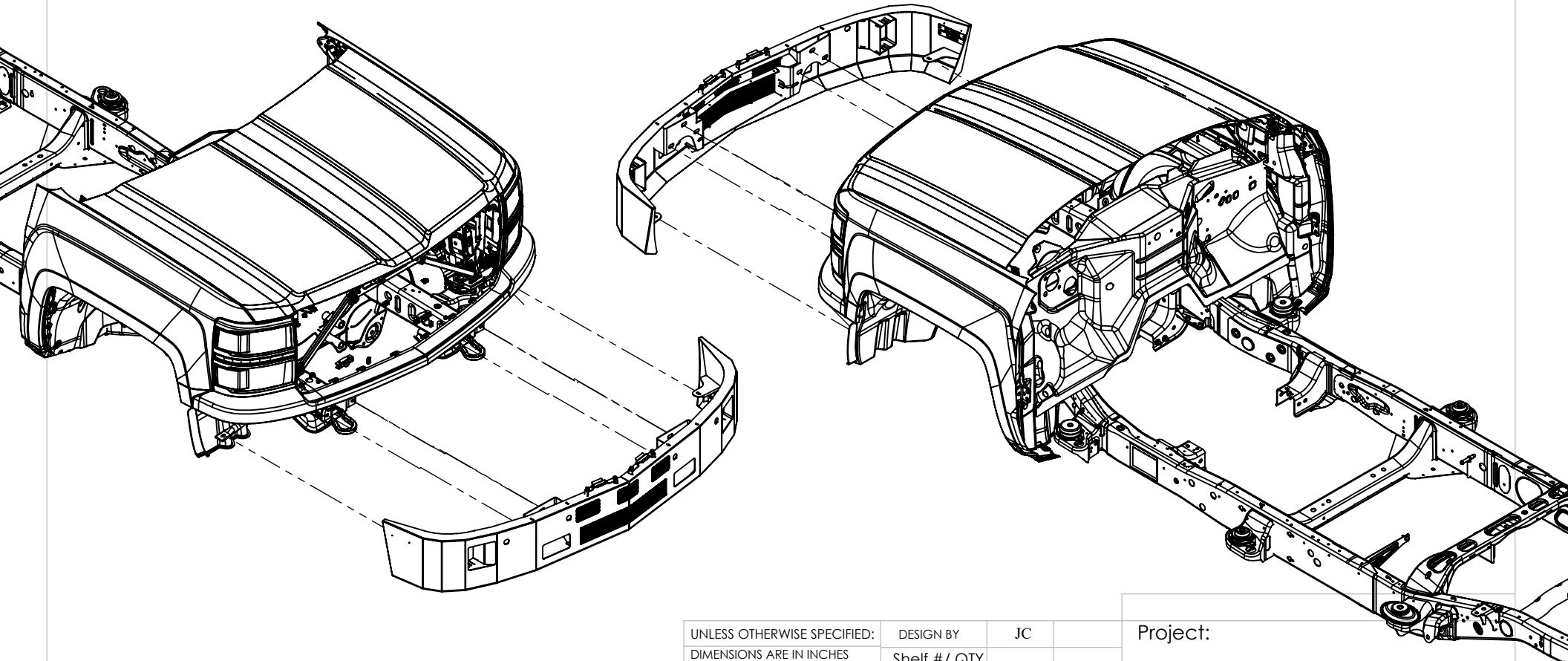
Any modification or unintended use of this product shall immediately void all manufacturers' warranties. Manufacturer disclaims all liability for injuries to persons or property resulting from any modification to, or unintended use of this product.



ITEM NO.	PART NUMBER	DESCRIPTION	QTY.
		<i>Weldments</i>	
1	71257	Assembly - Front Bumper	1
		<i>Parts</i>	
2	71014	MS 6" x 4" Screen	2
3	71268	Plate - 16 ga. - Stabilizer Bumper Bracket w/Bends (PS)	1
4	71269	Plate - 16 ga. - Stabilizer Bumper Bracket (DS) w/Bends	1
5	71270	MS - 4" x 6" - Screen - w/Bends	1
6	71271	MS - 4-1/2" x 21-5/8" - Screen - w/Bends	1
		<i>Hardware</i>	
7	12118	BOLT - 1/4"-20 X 1 3/4" - GR.5	4
8	13000	1/4" Flat STRL Washer	4
9	13140	1/4"-20 Hex Nut	4
10	14062	#10 SAE Flat Washer	10
11	14078	#10-32 Nylon Lock Nut	10

UNLESS OTHERWISE SPECIFIED:	DESIGN BY	JC
DIMENSIONS ARE IN INCHES	Shelf #/ QTY	
TOLERANCES, Unless Specified	NEW DXF	
FRACTIONAL $\pm 1/32"$	Run QTY	
ANGULAR: MACH $\pm .5^\circ$	PROPRIETARY AND CONFIDENTIAL	
TWO PLACE DECIMAL $\pm .03$	THE INFORMATION CONTAINED IN THIS DRAWING IS THE SOLE PROPERTY OF KELDERMAN MFG. INC. ANY REPRODUCTION IN PART OR AS A WHOLE WITHOUT THE WRITTEN PERMISSION OF KELDERMAN MFG. INC. IS PROHIBITED.	
THREE PLACE DECIMAL $\pm .010$		
MATERIAL		
FINISH		
WEIGHT	62.73	

Project: 14-15 Chevy Silverado 1500 - Front Bumper	
TITLE: Assembly - Front Bumper	
DWG. NO. 62105RA	SCALE: 1:50
W	
kelderman	
DO NOT SCALE DRAWING	
SHEET 1 OF 2	



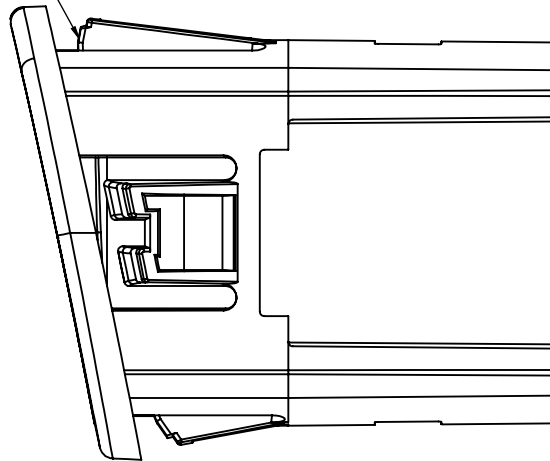
UNLESS OTHERWISE SPECIFIED:
 DIMENSIONS ARE IN INCHES
 TOLERANCES, Unless Specified
 FRACTIONAL $\pm 1/32"$
 ANGULAR: MACH $\pm .5^\circ$
 TWO PLACE DECIMAL $\pm .03$
 THREE PLACE DECIMAL $\pm .010$

DESIGN BY	JC
Shelf #/ QTY	
NEW DXF	
Run QTY	
PROPRIETARY AND CONFIDENTIAL	
THE INFORMATION CONTAINED IN THIS DRAWING IS THE SOLE PROPERTY OF KELDERMAN MFG. INC. ANY REPRODUCTION IN PART OR AS A WHOLE WITHOUT THE WRITTEN PERMISSION OF KELDERMAN MFG. INC. IS PROHIBITED.	

Project:	
TITLE:	
DWG. NO.	1415DZ CF-001
	SCALE: 1:100
kelderman	DO NOT SCALE DRAWING
	SHEET 1 OF 2

For some bumper applications, it will be necessary to tune the backup sensor housing to fit the new bumper. Most of the sensor housings utilize a plastic housing that snaps into the bumper. If the snap features do not work correctly, it will be necessary to file a small amount of the snap feature so that it snaps into the bumper correctly.

File away any extra plastic



UNLESS OTHERWISE SPECIFIED:
 DIMENSIONS ARE IN INCHES
 TOLERANCES, Unless Specified
 FRACTIONAL $\pm 1/32"$
 ANGULAR: MACH $\pm .5^\circ$
 TWO PLACE DECIMAL $\pm .03$
 THREE PLACE DECIMAL $\pm .010$

MATERIAL
 FINISH
 WEIGHT

DESIGN BY	TJA
Shelf #/ QTY	
NEW DXF	
Run QTY	

PROPRIETARY AND CONFIDENTIAL
 THE INFORMATION CONTAINED IN THIS DRAWING IS THE SOLE PROPERTY OF KELDERMAN MFG. INC. ANY REPRODUCTION IN PART OR AS A WHOLE WITHOUT THE WRITTEN PERMISSION OF KELDERMAN MFG. INC. IS PROHIBITED.

Project: Purchased	
TITLE: Parking Sensor Bezel	
DWG. NO.	80055
SCALE: 1:1	
kelderman	
DO NOT SCALE DRAWING	
SHEET 2 OF 2	