



**INSPECT YOUR PRODUCT FOR DAMAGE & MISSING PARTS BEFORE PROCEEDING TO INSTALLATION**

**PROCEDURE FOR RETURNS OR MISSING HARDWARE**

-PLEASE CONTACT THE ORIGINAL POINT OF PURCHASE FOR:  
SHIPPING DAMAGE, RETURNS, OR WARRANTY CLAIMS

-CONTACT DEE ZEE DIRECTLY FOR MISSING PARTS OR HARDWARE

---

**⚠ WARNING:** Cancer and Reproductive Harm

Operating, servicing, and maintaining a passenger vehicle can expose you to chemicals such as lead, phthalates, engine exhaust, and carbon monoxide that are known to the State of California cause cancer and birth defects or other reproductive harm. To minimize exposure, service your vehicle and its accessories in a well-vented area and wear gloves or wash your hands frequently.



## Dee Zee Bumper Installation Instructions

***Congratulations on your purchase of a quality Dee Zee product. Dee Zee is recognized as having the highest quality accessories on the market today. We have earned this reputation by offering our customers a product they can be proud to place on their vehicles.***

**Note: Please take time to read all of the instructions before beginning this installation.**

### **WARNING!**

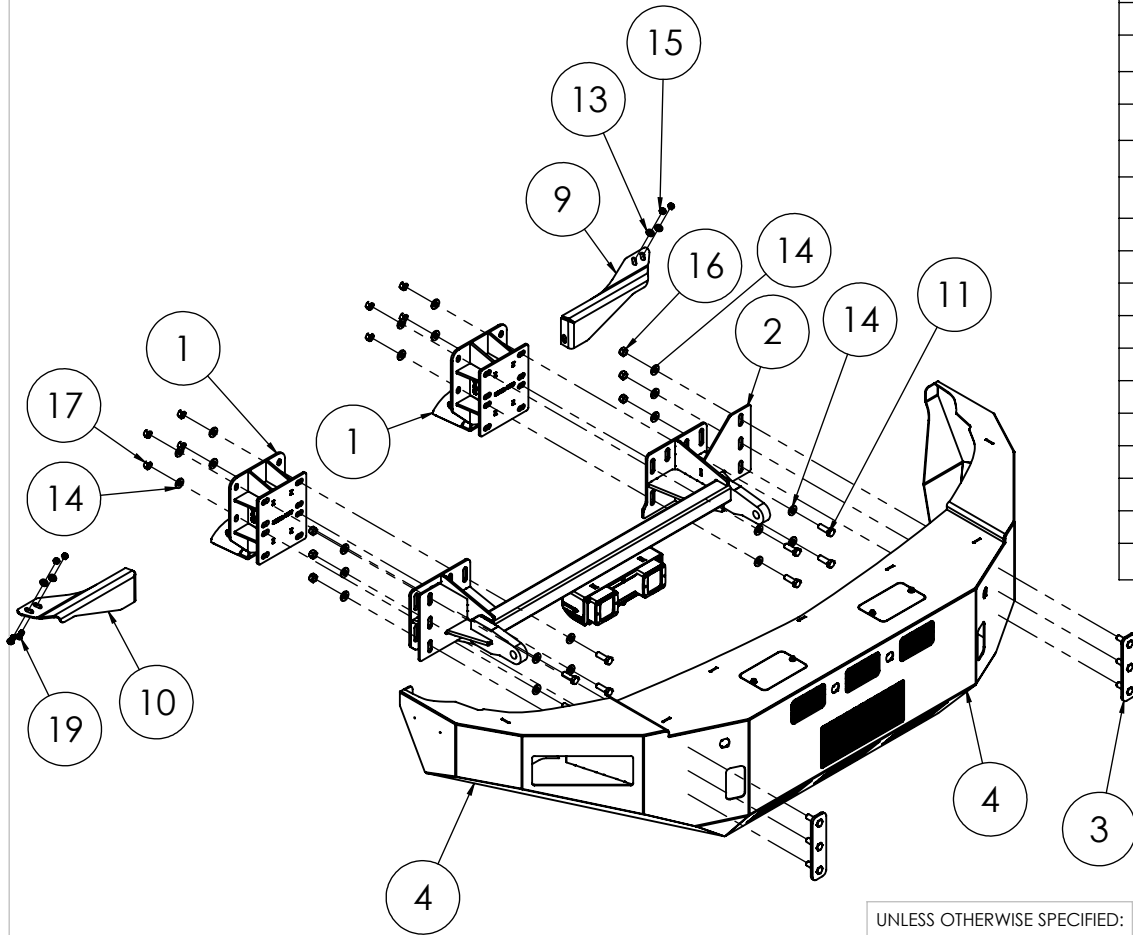
This product can reduce the driver's ability to clearly see roadways, vehicular or pedestrian traffic and other objects through the rear and side windows of the vehicle, which can cause an accident. Extra precautions should be taken when driving a vehicle with this product. Make all adjustments necessary to ensure maximum visibility, including but not limited to, changing mirror and seating positions. State and local laws may prohibit obstruction of windows in a moving vehicle.

### **WARNING!**

These instructions are to be followed using the parts and fasteners supplied for proper installation. Any modifications or improper installation of this product will create a hazardous condition that can cause property damage, serious personal injury or death.

### **NOTICE**

Any modification or unintended use of this product shall immediately void all manufacturers' warranties. Manufacturer disclaims all liability for injuries to persons or property resulting from any modification to, or unintended use of this product.



ITEM NO.	PART NUMBER	DESCRIPTION	QTY.
<i>Weldments</i>			
1	31748	Weldment - Front Bumper Bracket	2
2	71000	Universal Tow Hook / Light Bar Bracket	1
3	71047	DeeZee Bumper Bolt-On Bracket	2
4	71187	Assembly - Front Bumper	1
<i>Parts</i>			
5	71014	MS 6" x 4" Screen	3
6	71016	MS 8" x 6" Screen	3
7	71018	Winch Opening Cover	2
8	71029	MS 13" x 6.2" Screen	1
9	71199	Plate - 7ga - Corner Brace (DS) - w/Bends	1
10	71200	Plate - 7ga - Corner Brace (PS) - w/Bends	1
<i>Hardware</i>			
11	12007	Bolt - 1/2"-20 x 1.50" Gr.8	8
12	13000	1/4" Flat STRL Washer	4
13	13002	FLAT WASHER - 3/8"	4
14	13004	1/2" Flat Washer	22
15	13102	LOCK NUT - 3/8"-16 GR8	4
16	13104	1/2" Lock Nut	6
17	13124	1/2" Hex Nut	8
18	13503	SOCKET HEAD - 1/4"-20 X 1/2" - SS	4
19	13618	BUTTON HEAD - 3/8"-16 X 1" GR5	4
20	14062	#10 SAE Flat Washer	16
21	14078	#10-32 Nylon Lock Nut	16

**Kelderman**

PROPRIETARY AND CONFIDENTIAL

THE INFORMATION CONTAINED IN THIS DRAWING IS THE SOLE PROPERTY OF KELDERMAN MFG. INC. ANY REPRODUCTION IN PART OR AS A WHOLE WITHOUT THE WRITTEN PERMISSION OF KELDERMAN MFG. INC. IS PROHIBITED.

UNLESS OTHERWISE SPECIFIED:  
 DIMENSIONS ARE IN INCHES  
 TOLERANCES:  
 FRACTIONAL  $\pm 1/32"$   
 ANGULAR: MACH  $\pm 1$  BEND  $\pm 1$   
 TWO PLACE DECIMAL  $\pm .030$   
 THREE PLACE DECIMAL  $\pm .010$

MATERIAL

FINISH

WEIGHT  
**209.02**

DESIGN BY TJA  
 Shelf #/ QTY  
 NEW DXF  
 Run QTY

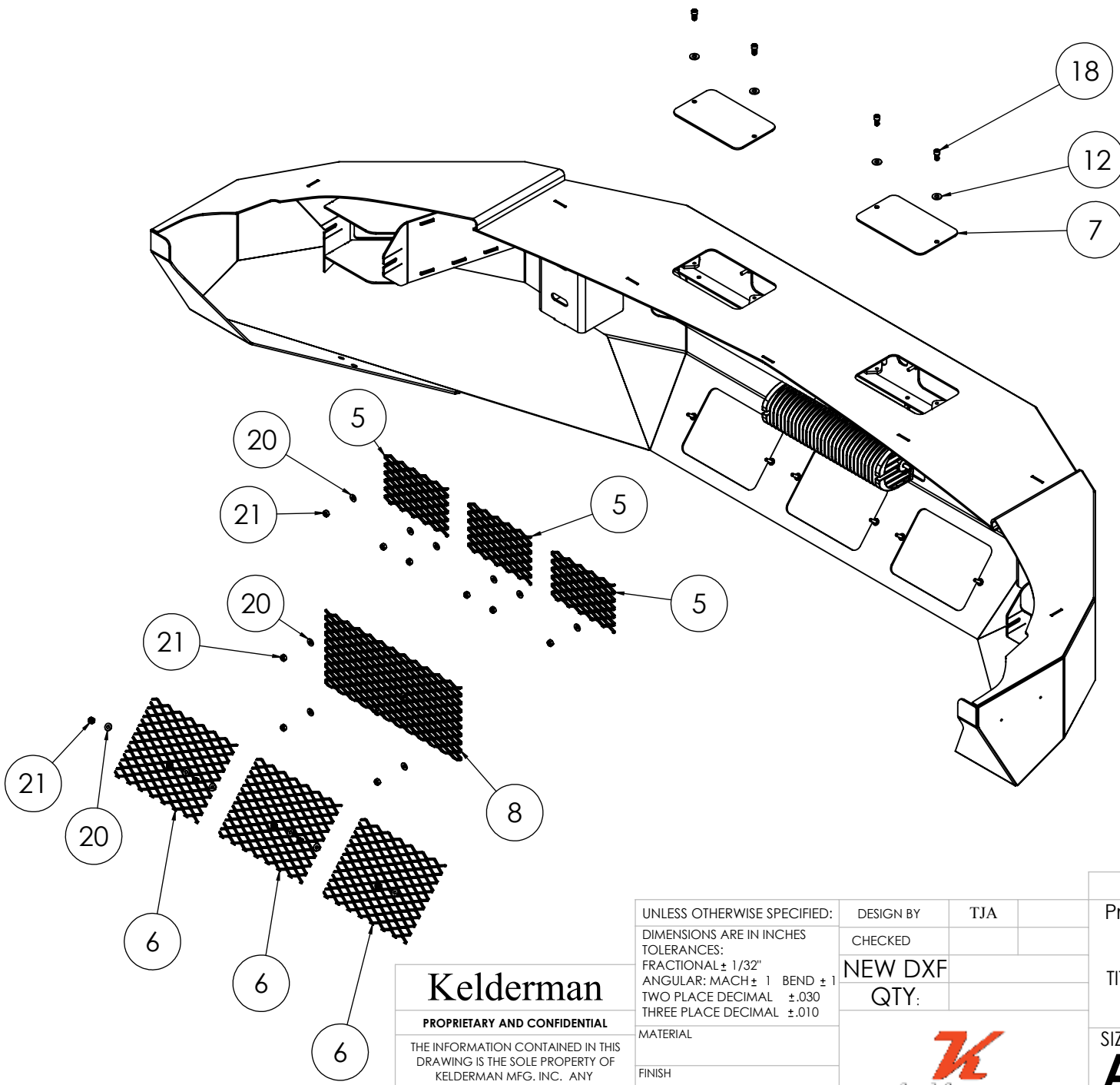


Project: DeeZee - 2015+ Chevrolet Silverado 2500/3500 - Front Bumper

TITLE: Assembly - Front Bumper

SIZE DWG. NO. **A** 62102WRAW

SCALE: 1:50 DO NOT SCALE DRAWING SHEET 1 OF 2



**Kelderman**

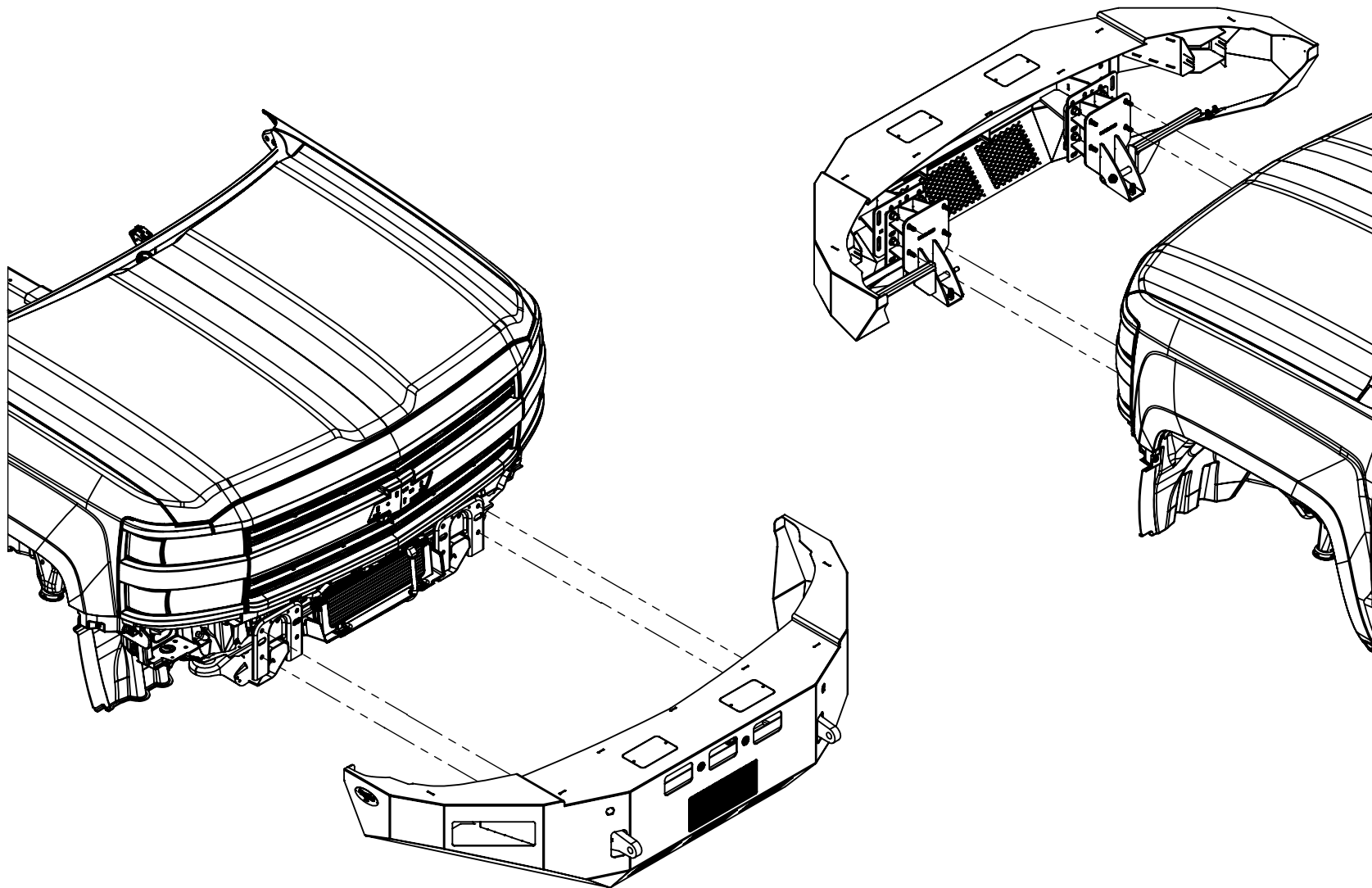
**PROPRIETARY AND CONFIDENTIAL**  
 THE INFORMATION CONTAINED IN THIS DRAWING IS THE SOLE PROPERTY OF KELDERMAN MFG. INC. ANY REPRODUCTION IN PART OR AS A WHOLE WITHOUT THE WRITTEN PERMISSION OF KELDERMAN MFG. INC. IS PROHIBITED.

UNLESS OTHERWISE SPECIFIED:	DESIGN BY	TJA
DIMENSIONS ARE IN INCHES	CHECKED	
TOLERANCES:	NEW DXF	
FRACTIONAL ± 1/32"	QTY:	
ANGULAR: MACH ± 1 BEND ± 1		
TWO PLACE DECIMAL ±.030		
THREE PLACE DECIMAL ±.010		
MATERIAL		
FINISH		
WEIGHT		
<b>209.02</b>		



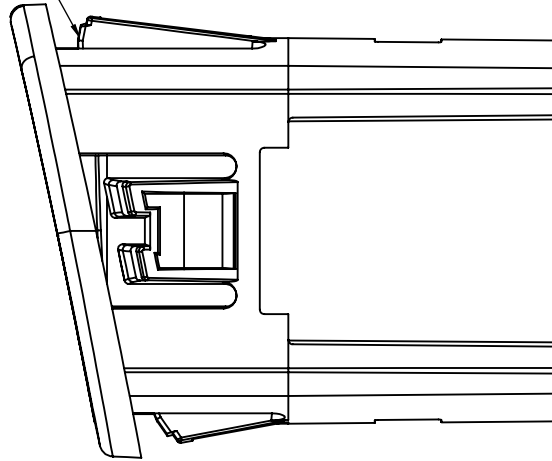
Project:	DeeZee - 2015+ Chevrolet Silverado 2500/3500 - Front Bumper	
TITLE:	Assembly - Front Bumper	
SIZE	DWG. NO.	
<b>A</b>	62102WRAW	
SCALE: 1:50	DO NOT SCALE DRAWING	SHEET 2 OF 2

Note: For some applications, it will be necessary to buy GM part number: 23276812 to replace the sensor bezels.



For some bumper applications, it will be necessary to tune the backup sensor housing to fit the new bumper. Most of the sensor housings utilize a plastic housing that snaps into the bumper. If the snap features do not work correctly, it will be necessary to file a small amount of the snap feature so that it snaps into the bumper correctly.

File away any extra plastic



UNLESS OTHERWISE SPECIFIED:  
 DIMENSIONS ARE IN INCHES  
 TOLERANCES, Unless Specified  
 FRACTIONAL  $\pm 1/32"$   
 ANGULAR: MACH  $\pm .5^\circ$   
 TWO PLACE DECIMAL  $\pm .03$   
 THREE PLACE DECIMAL  $\pm .010$

MATERIAL  
 FINISH  
 WEIGHT

DESIGN BY  
 Shelf #/ QTY  
 NEW DXF  
 Run QTY

TJA

THE INFORMATION CONTAINED IN THIS DRAWING IS THE SOLE PROPERTY OF KELDERMAN MFG. INC. ANY REPRODUCTION IN PART OR AS A WHOLE WITHOUT THE WRITTEN PERMISSION OF KELDERMAN MFG. INC. IS PROHIBITED.

Project: Purchased

TITLE: Parking Sensor Bezel

DWG. NO.

80055

SCALE: 1:1

**kelderman**

DO NOT SCALE DRAWING

SHEET 2 OF 2