



Dee Zee Bumper Installation Instructions

Congratulations on your purchase of a quality Dee Zee product. Dee Zee is recognized as having the highest quality accessories on the market today. We have earned this reputation by offering our customers a product they can be proud to place on their vehicles.

Note: Please take time to read all of the instructions before beginning this installation.

WARNING!

This product can reduce the driver's ability to clearly see roadways, vehicular or pedestrian traffic and other objects through the rear and side windows of the vehicle, which can cause an accident. Extra precautions should be taken when driving a vehicle with this product. Make all adjustments necessary to ensure maximum visibility, including but not limited to, changing mirror and seating positions. State and local laws may prohibit obstruction of windows in a moving vehicle.

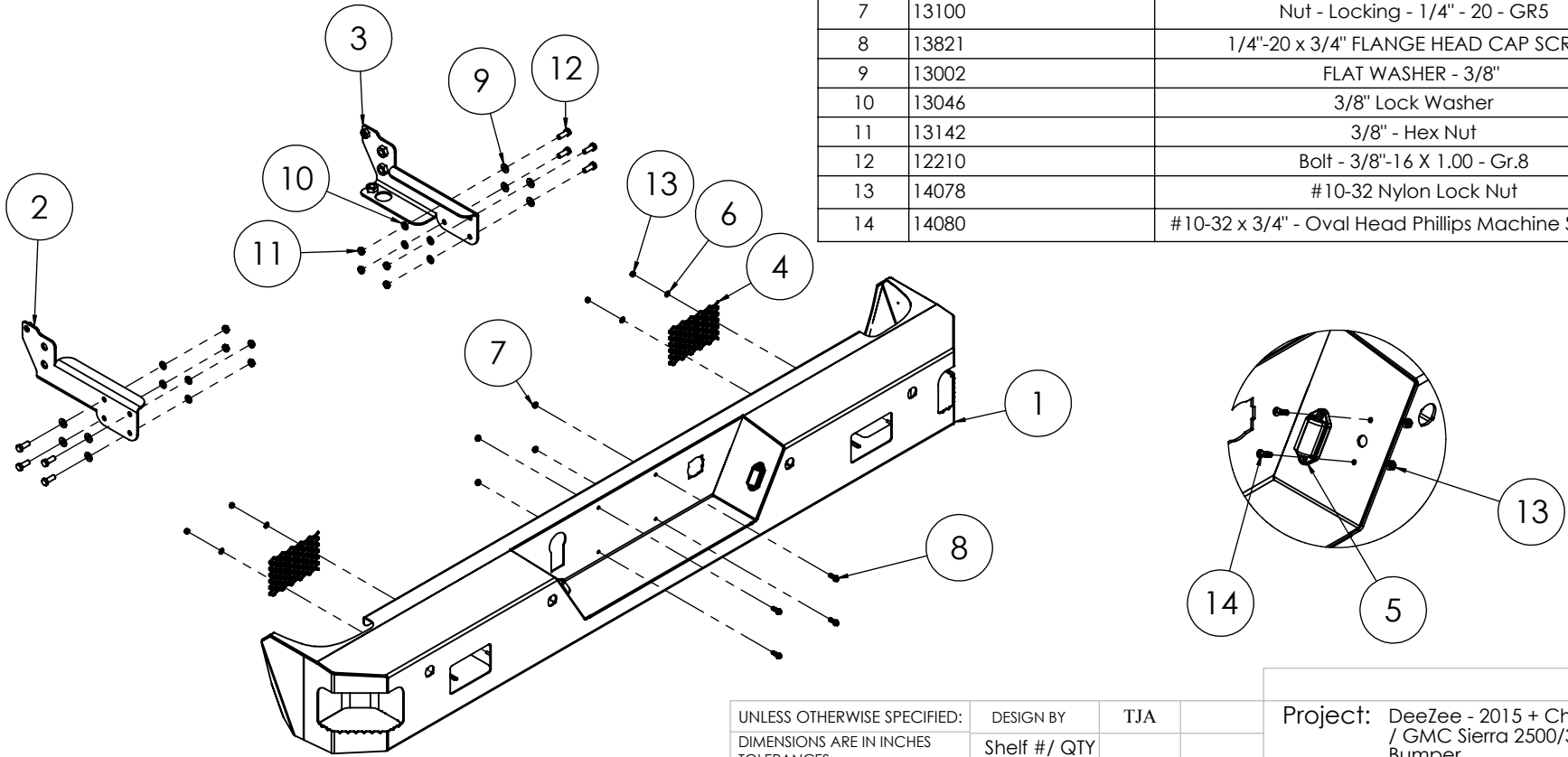
WARNING!

These instructions are to be followed using the parts and fasteners supplied for proper installation. Any modifications or improper installation of this product will create a hazardous condition that can cause property damage, serious personal injury or death.

NOTICE

Any modification or unintended use of this product shall immediately void all manufacturers' warranties. Manufacturer disclaims all liability for injuries to persons or property resulting from any modification to, or unintended use of this product.

ITEM NO.	PART NUMBER	DESCRIPTION	QTY.
<i>Assemblies</i>			
1	71082	Assembly - Rear Bumper - 1500	1
2	71098	Assembly - Rear Bumper Bracket - 2500 - (DS)	1
3	71099	Assembly - Rear Bumper Bracket - 2500 - (PS)	1
<i>Parts</i>			
4	71014	MS 6" x 4" Screen	2
<i>Purchased Parts</i>			
5	80132	License Plate Light - DeeZee - LED Natural White	2
<i>Hardware</i>			
6	14062	#10 SAE Flat Washer	4
7	13100	Nut - Locking - 1/4" - 20 - GR5	4
8	13821	1/4"-20 x 3/4" FLANGE HEAD CAP SCREW	4
9	13002	FLAT WASHER - 3/8"	8
10	13046	3/8" Lock Washer	8
11	13142	3/8" - Hex Nut	8
12	12210	Bolt - 3/8"-16 X 1.00 - Gr.8	8
13	14078	#10-32 Nylon Lock Nut	8
14	14080	#10-32 x 3/4" - Oval Head Phillips Machine Screw - SS	4



Kelderman
PROPRIETARY AND CONFIDENTIAL
 THE INFORMATION CONTAINED IN THIS DRAWING IS THE SOLE PROPERTY OF KELDERMAN MFG. INC. ANY REPRODUCTION IN PART OR AS A WHOLE WITHOUT THE WRITTEN PERMISSION OF KELDERMAN MFG. INC. IS PROHIBITED.

UNLESS OTHERWISE SPECIFIED:
 DIMENSIONS ARE IN INCHES
 TOLERANCES:
 FRACTIONAL ± 1/32"
 ANGULAR: MACH ± 1 BEND ± 1
 TWO PLACE DECIMAL ±.030
 THREE PLACE DECIMAL ±.010

MATERIAL
 FINISH
 WEIGHT

DESIGN BY TJA
 Shelf #/ QTY
 NEW DXF
 Run QTY



Project: DeeZee - 2015 + Chevrolet Silverado / GMC Sierra 2500/3500 - Rear Bumper

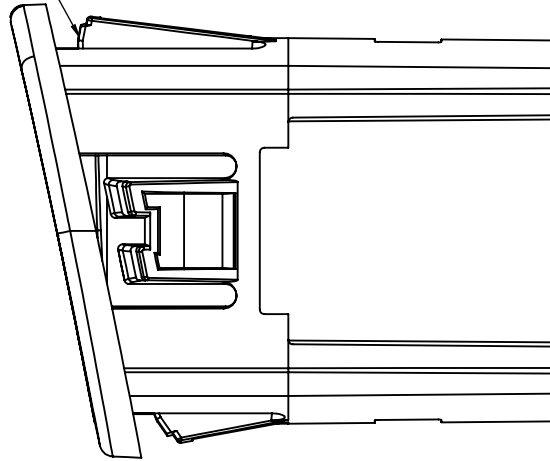
TITLE: Assembly - Rear Bumper - 2500/3500

SIZE DWG. NO.
A 62102RRAW

SCALE: 1:50 DO NOT SCALE DRAWING SHEET 1 OF 1

For some bumper applications, it will be necessary to tune the backup sensor housing to fit the new bumper. Most of the sensor housings utilize a plastic housing that snaps into the bumper. If the snap features do not work correctly, it will be necessary to file a small amount of the snap feature so that it snaps into the bumper correctly.

File away any extra plastic



UNLESS OTHERWISE SPECIFIED:
 DIMENSIONS ARE IN INCHES
 TOLERANCES, Unless Specified
 FRACTIONAL $\pm 1/32"$
 ANGULAR: MACH $\pm .5^\circ$
 TWO PLACE DECIMAL $\pm .03$
 THREE PLACE DECIMAL $\pm .010$

MATERIAL
 FINISH
 WEIGHT

DESIGN BY	TJA
Shelf #/ QTY	
NEW DXF	
Run QTY	

PROPRIETARY AND CONFIDENTIAL

THE INFORMATION CONTAINED IN THIS DRAWING IS THE SOLE PROPERTY OF KELDERMAN MFG. INC. ANY REPRODUCTION IN PART OR AS A WHOLE WITHOUT THE WRITTEN PERMISSION OF KELDERMAN MFG. INC. IS PROHIBITED.

Project: Purchased	
TITLE: Parking Sensor Bezel	
DWG. NO.	80055
SCALE: 1:1	
kelderman	
DO NOT SCALE DRAWING	
SHEET 2 OF 2	