



Dee Zee Bumper Installation Instructions

Congratulations on your purchase of a quality Dee Zee product. Dee Zee is recognized as having the highest quality accessories on the market today. We have earned this reputation by offering our customers a product they can be proud to place on their vehicles.

Note: Please take time to read all of the instructions before beginning this installation.

WARNING!

This product can reduce the driver's ability to clearly see roadways, vehicular or pedestrian traffic and other objects through the rear and side windows of the vehicle, which can cause an accident. Extra precautions should be taken when driving a vehicle with this product. Make all adjustments necessary to ensure maximum visibility, including but not limited to, changing mirror and seating positions. State and local laws may prohibit obstruction of windows in a moving vehicle.

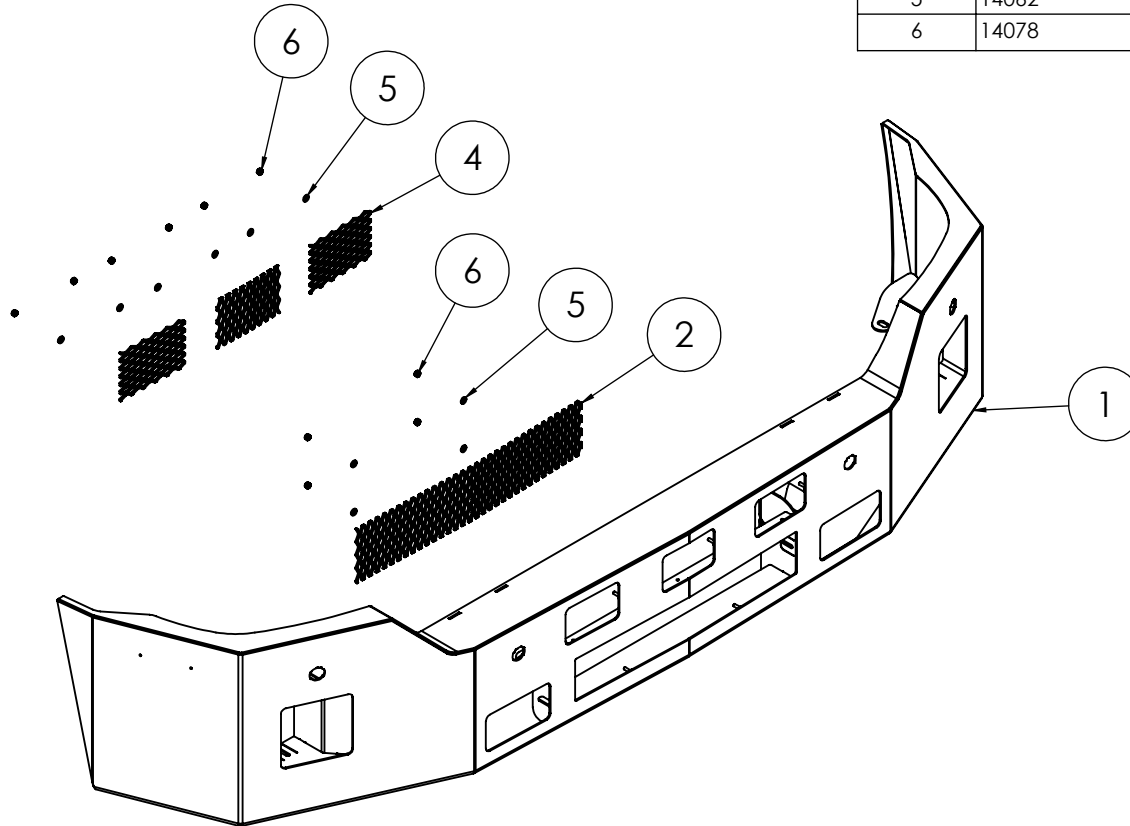
WARNING!

These instructions are to be followed using the parts and fasteners supplied for proper installation. Any modifications or improper installation of this product will create a hazardous condition that can cause property damage, serious personal injury or death.

NOTICE

Any modification or unintended use of this product shall immediately void all manufacturers' warranties. Manufacturer disclaims all liability for injuries to persons or property resulting from any modification to, or unintended use of this product.

ITEM NO.	PART NUMBER	DESCRIPTION	QTY.
<i>Weldments</i>			
1	71114	Assembly - Front Bumper	1
<i>Parts</i>			
2	71129	MS - 4-1/2" x 21-5/8" - Screen - w/Bends	1
3	71130	MS - 4" x 6" - Screen - w/Bends	1
4	71014	MS 6" x 4" Screen	2
<i>Hardware</i>			
5	14062	#10 SAE Flat Washer	10
6	14078	#10-32 Nylon Lock Nut	10



Kelderman
PROPRIETARY AND CONFIDENTIAL
 THE INFORMATION CONTAINED IN THIS DRAWING IS THE SOLE PROPERTY OF KELDERMAN MFG. INC. ANY REPRODUCTION IN PART OR AS A WHOLE WITHOUT THE WRITTEN PERMISSION OF KELDERMAN MFG. INC. IS PROHIBITED.

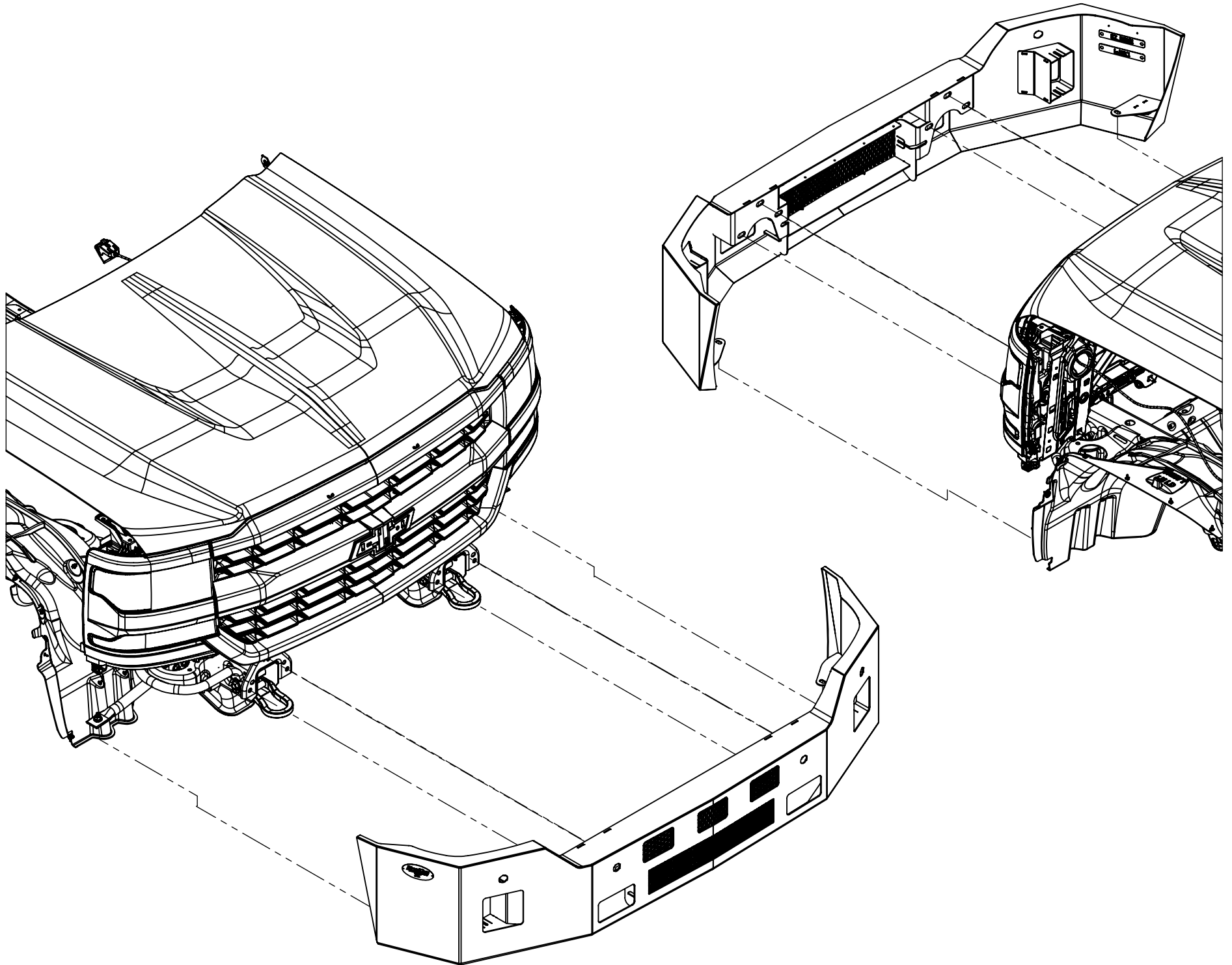
UNLESS OTHERWISE SPECIFIED:
 DIMENSIONS ARE IN INCHES
 TOLERANCES:
 FRACTIONAL ± 1/32"
 ANGULAR: MACH ± 1 BEND ± 1
 TWO PLACE DECIMAL ±.030
 THREE PLACE DECIMAL ±.010

MATERIAL
 FINISH
 WEIGHT

DESIGN BY TJA
 Shelf #/ QTY
 NEW DXF
 Run QTY

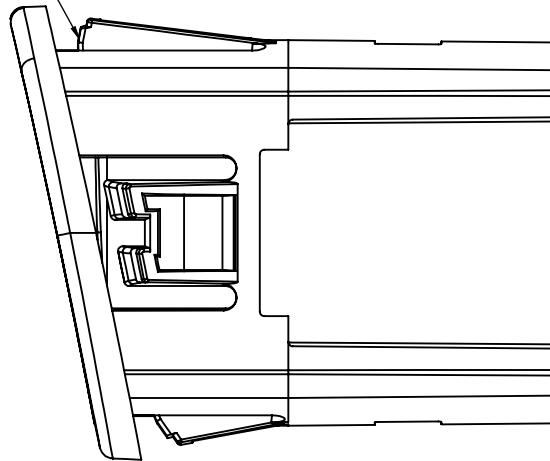


Friday, October 28, 2016 1:45:53 PM
 Project: DeeZee - 2016+ Chevrolet Silverado 1500 - Front Bumper
 TITLE: Assembly - Front Bumper
 SIZE DWG. NO. A 62101RAW
 SCALE: 1:50 DO NOT SCALE DRAWING SHEET 1 OF 1



For some bumper applications, it will be necessary to tune the backup sensor housing to fit the new bumper. Most of the sensor housings utilize a plastic housing that snaps into the bumper. If the snap features do not work correctly, it will be necessary to file a small amount of the snap feature so that it snaps into the bumper correctly.

File away any extra plastic



UNLESS OTHERWISE SPECIFIED:				DESIGN BY	TJA	Wednesday, February 24, 2016 3:10:55 PM	
DIMENSIONS ARE IN INCHES TOLERANCES, Unless Specified FRACTIONAL $\pm 1/32"$ ANGULAR: MACH $\pm .5^\circ$ TWO PLACE DECIMAL $\pm .03$ THREE PLACE DECIMAL $\pm .010$				Shelf #/ QTY		Project: Purchased	
				NEW DXF		TITLE: Parking Sensor Bezel	
				Run QTY		DWG. NO. 80055 SCALE: 1:1	
				PROPRIETARY AND CONFIDENTIAL			
MATERIAL	THE INFORMATION CONTAINED IN THIS DRAWING IS THE SOLE PROPERTY OF KELDERMAN MFG. INC. ANY REPRODUCTION IN PART OR AS A WHOLE WITHOUT THE WRITTEN PERMISSION OF KELDERMAN MFG. INC. IS PROHIBITED.				SHEET 2 OF 2		
FINISH							
WEIGHT							