



Thank you for choosing Dee Zee to add function and accessorize your vehicle. Dee Zee has been a staple brand in the truck accessory market since 1977 and we hold a reputation of quality manufacturing based in America's Heartland. Our products are born through careful engineering and backed by industry leading warranty programs. We appreciate the opportunity to serve you and your vehicle!

Review the instruction pages in their entirety to prepare the required tools

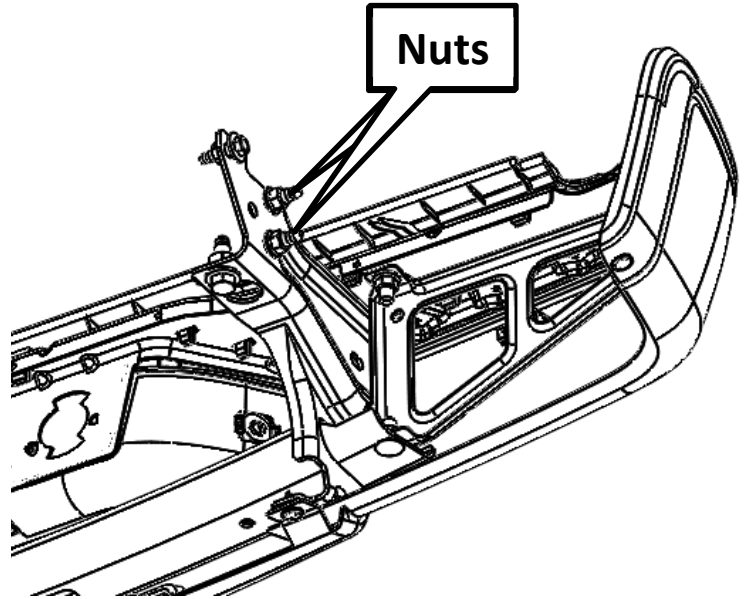
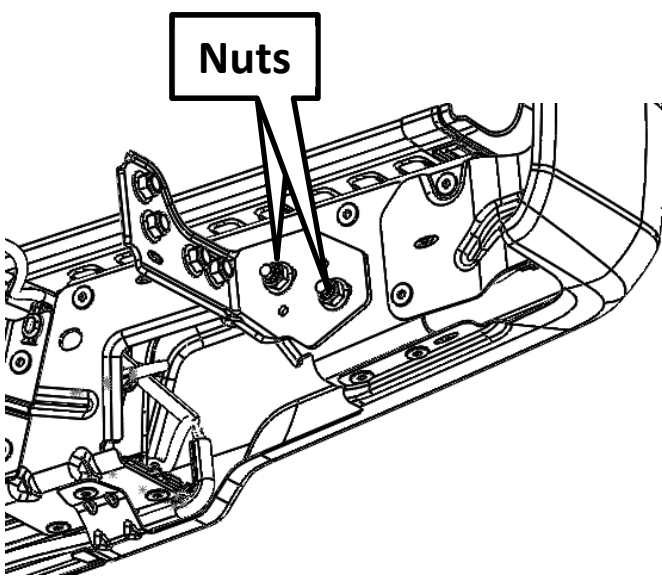
Cleaning: To be entitled to all warranty rights offered with your purchase, Dee Zee products need to be cleaned regularly with a mild detergent. Do NOT use abrasive cleaners.



Dee Zee Cares - Please Recycle

Bumper Step Installation Instructions DZ 6201, DZ 6203, DZ 6204, DZ 6205

- 1** First locate the nuts on the Driver's side of the rear bumper. Depending on the model of vehicle, the nuts may vary in location.



- 2** Remove the nuts and place the bumper step onto the studs. Then reinstall the factory nuts that were removed in step one. Fully tighten the hardware.

