



Thank you for choosing Dee Zee to add function and accessorize your vehicle. Dee Zee has been a staple brand in the truck accessory market since 1977 and we hold a reputation of quality manufacturing based in America's Heartland. Our products are born through careful engineering and backed by industry leading warranty programs. We appreciate the opportunity to serve you and your vehicle!

Review the instruction pages in their entirety to prepare the required tools

Warning: Please check for wiring or other obstructions before drilling any holes in the vehicle. If it is necessary to drill any holes, Dee Zee recommends putting a sealant or rust inhibitory around all holes drilled into the body of the vehicle.

It is the sole responsibility of the vehicle owner to check for tire clearance. It is unlawful and dangerous to ride on any external vehicle step while the vehicle is in motion.

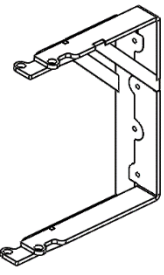
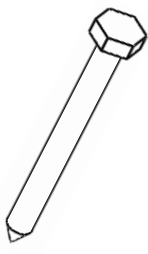

Cleaning: To be entitled to all warranty rights offered with the product, Dee Zee steps need to be cleaned regularly with a mild detergent. Do NOT use abrasive cleaners. For stainless steel products, the application of a high grade automotive wax is recommended.



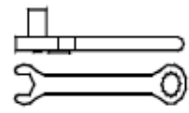
Dee Zee Cares - Please Recycle

Door Hanger Storage Bracket Installation Instructions

DZ 4460JP Jeep Wrangler JK 2007-2018, JL 2019-Current

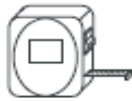
<div style="border: 1px solid black; padding: 2px; display: inline-block;">A</div> <p>Wall Bracket</p>  <p>B 2719P X1</p>	<div style="border: 1px solid black; padding: 2px; display: inline-block;">B</div> <p>Lag Bolt</p>  <p>PN 637B X4</p>	<div style="border: 1px solid black; padding: 2px; display: inline-block;">C</div> <p>Washer</p>  <p>PN 265B X4</p>
---	---	---

Required tools



Ratchet / Wrench

7/16"



Tape Measure

Inches

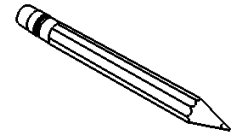


Drill

3/16" Drill Bit



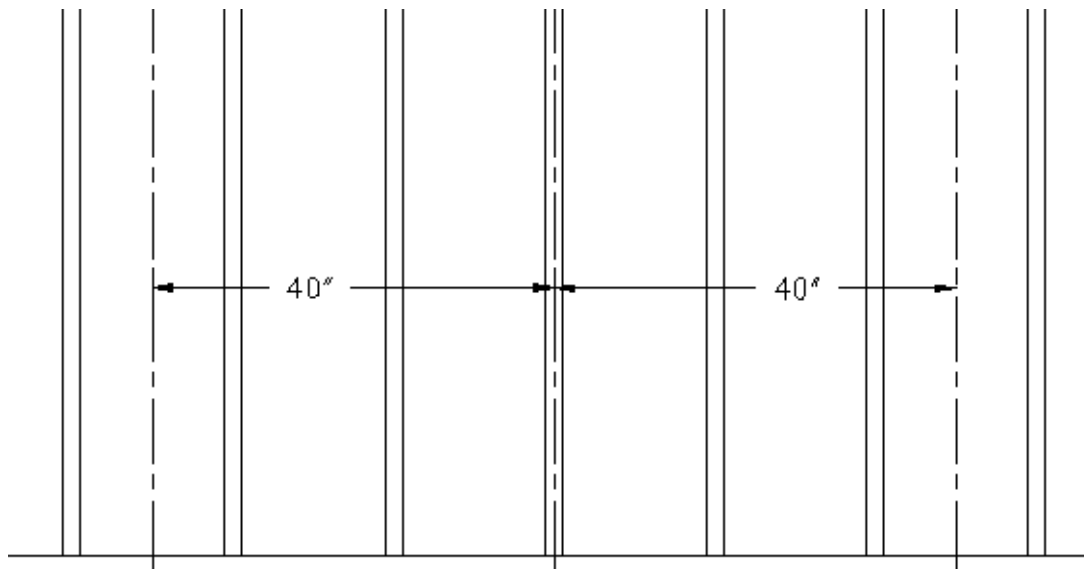
Level



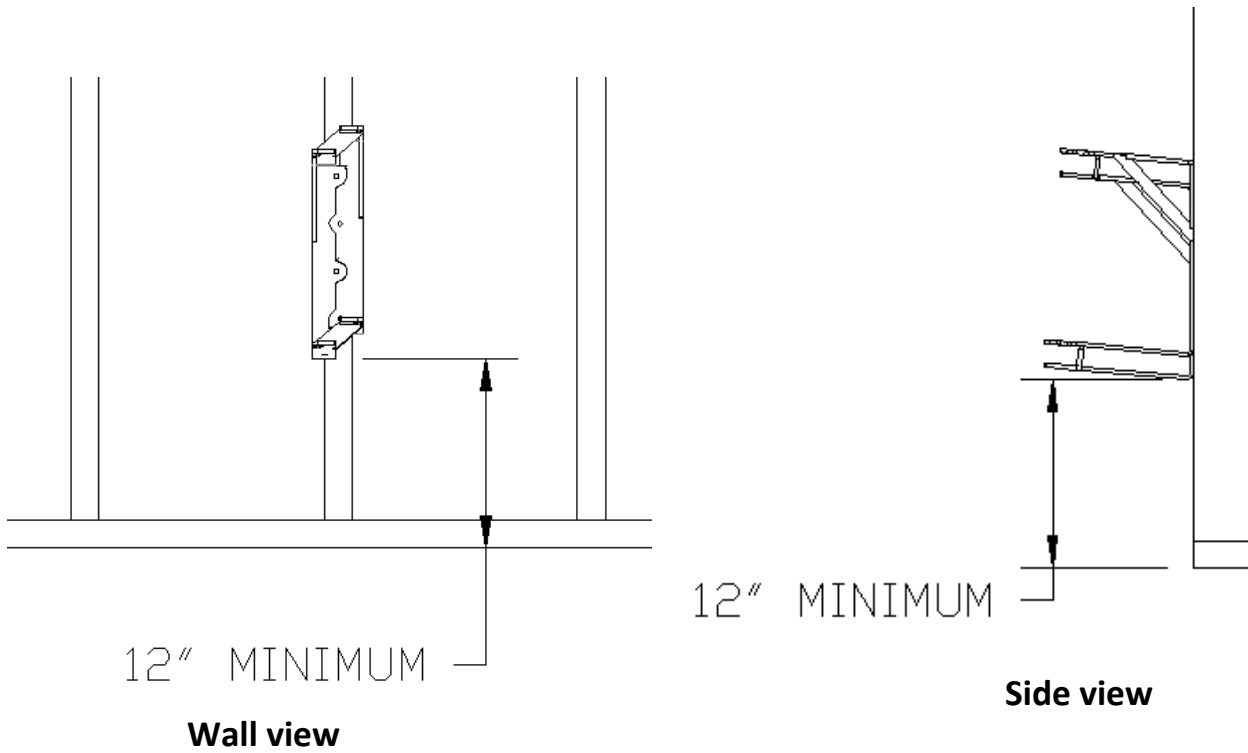
Pencil

1

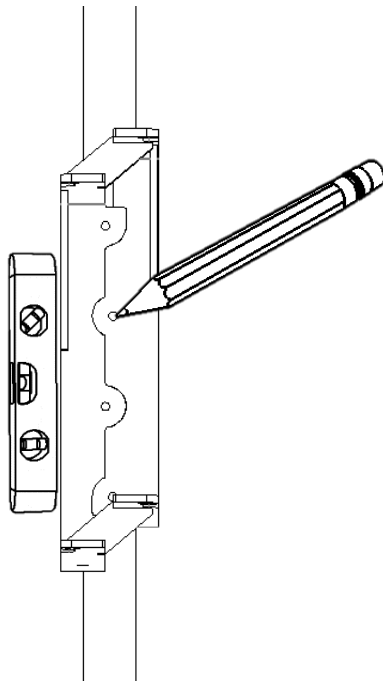
Locate a stud in an open area where the doors will hang. The stud must have a minimum of 40 inches of room on either side for the front doors. For the rear doors, the stud must have a minimum of 33 inches of room on either side. If you have two brackets for front and rear doors brackets can be on the same stud if desired.



- 2** Once the stud is located that will be used, place the bracket (A) approximately at the height that is desired. The bottom of the bracket must be a minimum of 12 inches from the floor. Note the orientation of the brace in the side view.

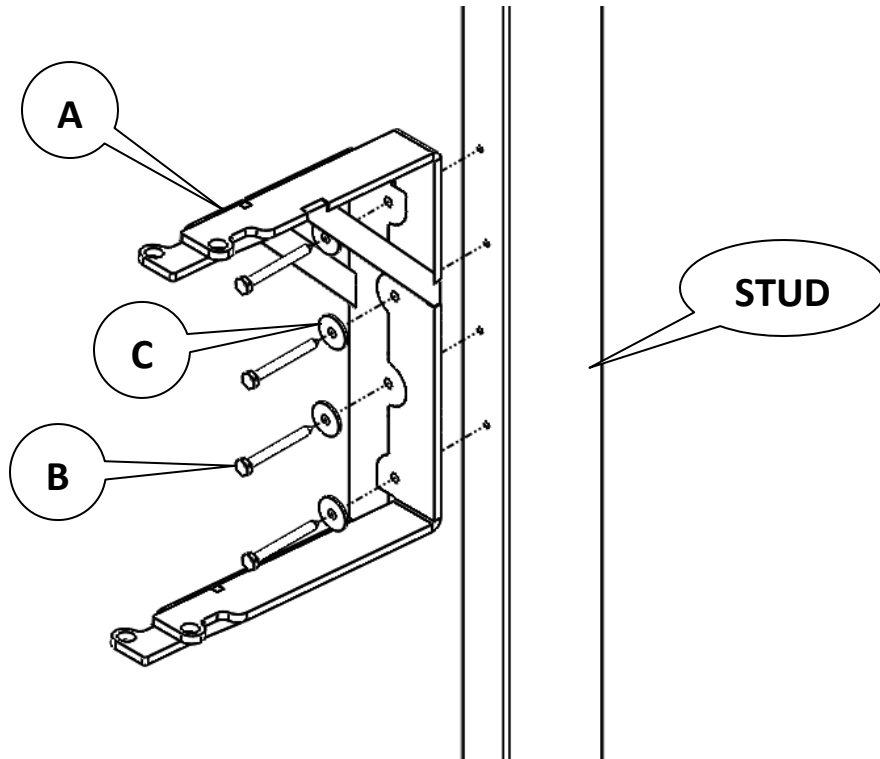


- 3** Level the bracket and trace the holes. Remove the bracket and drill the traced holes using a 3/16 drill bit.



4

Install the lags (B), washers (C), and bracket (A) into the holes previously drilled into the stud. Fully tighten lags into the wall.



5

To put doors on brace, use owner's manual to remove the doors and put the hinges in the holes shown below. The doors will naturally lay against the wall.

