



**INSPECT YOUR PRODUCT FOR DAMAGE & MISSING  
PARTS BEFORE PROCEEDING TO INSTALLATION**

**PROCEDURE FOR RETURNS OR MISSING HARDWARE**

-PLEASE CONTACT THE ORIGINAL POINT OF PURCHASE FOR:  
SHIPPING DAMAGE, RETURNS, OR WARRANTY CLAIMS

-CONTACT DEE ZEE DIRECTLY FOR MISSING PARTS OR HARDWARE

---

**⚠ WARNING:** Cancer and Reproductive Harm

Operating, servicing, and maintaining a passenger vehicle can expose you to chemicals such as lead, phthalates, engine exhaust, and carbon monoxide that are known to the State of California cause cancer and birth defects or other reproductive harm. To minimize exposure, service your vehicle and its accessories in a well-vented area and wear gloves or wash your hands frequently.



Thank you for choosing Dee Zee to add function and accessorize your vehicle. Dee Zee has been a staple brand in the truck accessory market since 1977 and we hold a reputation of quality manufacturing based in America's Heartland. Our products are born through careful engineering and backed by industry leading warranty programs. We appreciate the opportunity to serve you and your vehicle!

**Review the instruction pages in their entirety to prepare the required tools**

**Warning:** Please check for wiring or other obstructions before drilling any holes in the vehicle. If it is necessary to drill any holes, Dee Zee recommends putting a sealant or rust inhibitory around all holes drilled into the body of the vehicle.

It is the sole responsibility of the vehicle owner to check for tire clearance. It is unlawful and dangerous to ride on any external vehicle step while the vehicle is in motion.

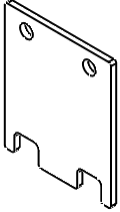
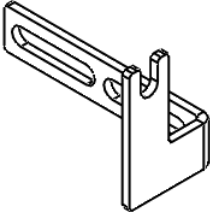
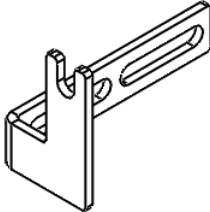
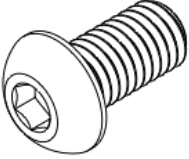

**Cleaning:** To be entitled to all warranty rights offered with the product, Dee Zee steps need to be cleaned regularly with a mild detergent. Do NOT use abrasive cleaners. For stainless steel products, the application of a high grade automotive wax is recommended.



Dee Zee Cares - Please Recycle

# Hood Light Bracket Installation Instructions

## DZ 4456JP Jeep Wrangler JK 2007-2018, JL 2019-Current

<p><b>A</b> Base Bracket</p>  <p><b>B 2593P</b> <span style="float: right;"><b>X2</b></span></p>	<p><b>B</b> Attachment Bracket Left</p>  <p><b>B 2594LP</b> <span style="float: right;"><b>X1</b></span></p>	<p><b>C</b> Attachment Bracket Right</p>  <p><b>B 2594RP</b> <span style="float: right;"><b>X1</b></span></p>
<p><b>D</b> M8X 16mm Button Head Bolt</p>  <p><b>PN 1261</b> <span style="float: right;"><b>X4</b></span></p>	<p><b>E</b> M8 Hex Flange Nut</p>  <p><b>PN 526</b> <span style="float: right;"><b>X4</b></span></p>	<p><b>DISCLAIMER:</b> Measurements between light brackets are limited. Light bar width must fall inside distances shown below.</p>

### Required tools



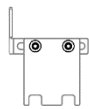
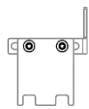
**Ratchet / Wrench**

13mm  
Torx 30

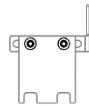
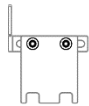


Allen Wrench  
5mm

**DISCLAIMER:** Measurements between light brackets vary as shown below.



**Inside Configuration:**  
JK – 22 1/2" – 24 7/8"  
JL – 30 1/8" – 32 5/8"



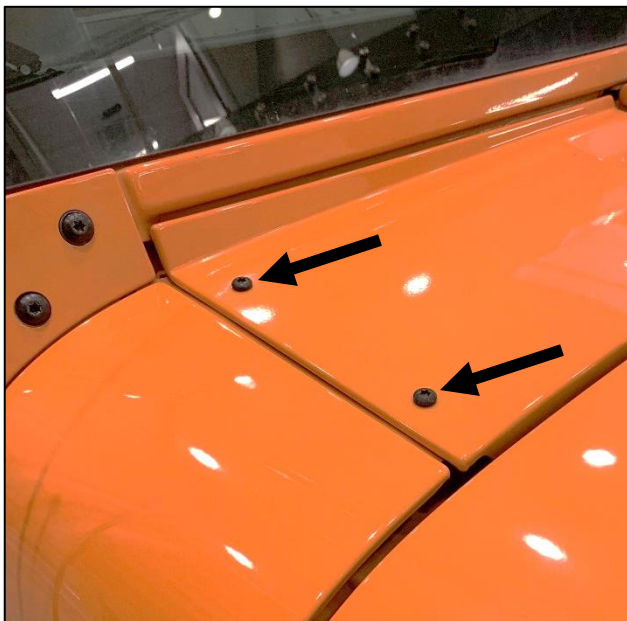
**Outside Configuration:**  
JK - 30 3/8" - 32 3/4"  
JL - 38 3/4" - 40 1/4"

**1**

Remove the front windshield wipers. Refer to owner's manual to remove. For step 2, if you have a JK, step numbers will have a JK after the number. If you have a JL, there will be a JL after the step number.

**2JK**

Remove cover by removing the 4 bolts (2 on each side) and prying up on the plastic push rivets as shown below.



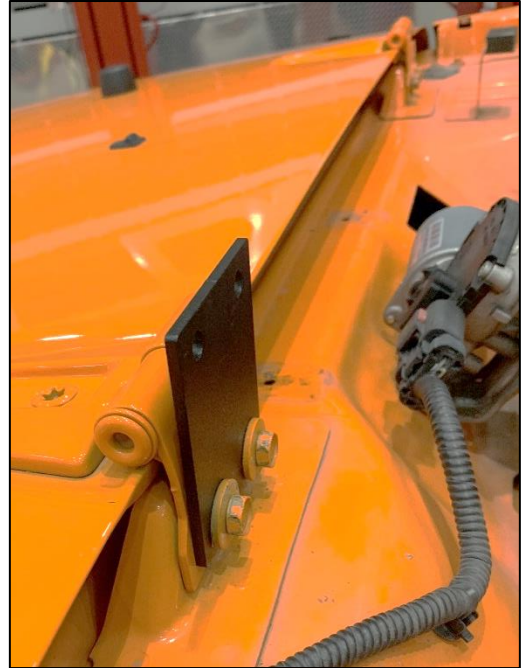
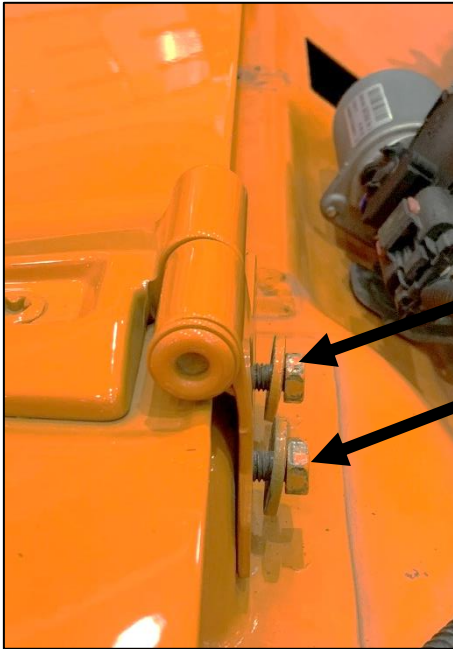
**2JL**

Remove cover by prying up on the plastic around the edges as shown below.



**4**

Loosen the two hinge bolts and then install Bracket (A). Fully tighten hardware. Repeat this step on the passenger side once the driver side is tightened.



**5**

Reinstall cover and windshield wipers.



6

Install left bracket (B) and right bracket (C) using bolts (D) and nuts (E). Depending on the size of your light bar the brackets may need to be reversed. The flange of the bracket must point towards the rear of the vehicle to ensure the hood will open all the way.

