



Thank you for choosing Dee Zee to add function and accessorize your vehicle. Dee Zee has been a staple brand in the truck accessory market since 1977 and we hold a reputation of quality manufacturing based in America's Heartland. Our products are born through careful engineering and backed by industry leading warranty programs. We appreciate the opportunity to serve you and your vehicle!

Review the instruction pages in their entirety to prepare the required tools

Warning: Please check for wiring or other obstructions before drilling any holes in the vehicle. If it is necessary to drill any holes, Dee Zee recommends putting a sealant or rust inhibitory around all holes drilled into the body of the vehicle.

It is the sole responsibility of the vehicle owner to check for tire clearance. It is unlawful and dangerous to ride on any external vehicle step while the vehicle is in motion.

Cleaning: To be entitled to all warranty rights offered with the product, Dee Zee steps need to be cleaned regularly with a mild detergent. Do NOT use abrasive cleaners. For stainless steel products, the application of a high grade automotive wax is recommended.

⚠ WARNING: Cancer and Reproductive Harm

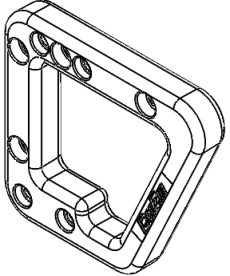
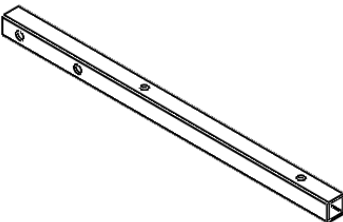
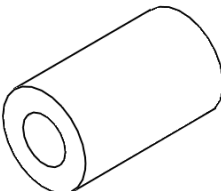

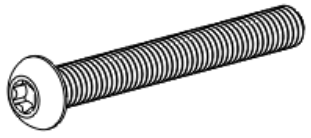
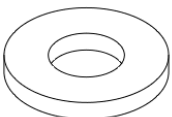
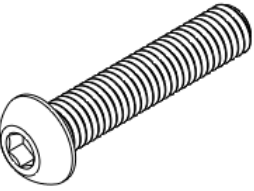

Operating, servicing, and maintaining a passenger vehicle can expose you to chemicals such as lead, phthalates, engine exhaust, and carbon monoxide that are known to the State of California cause cancer and birth defects or other reproductive harm. To minimize exposure, service your vehicle and its accessories in a well-vented area and wear gloves or wash your hands frequently.



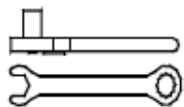
Dee Zee Cares - Please Recycle

JK Rear Grab Handle Installation Instructions

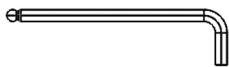
DZ 4450JKR Jeep Wrangler JK 2007-2018

<p>A Handle</p>  <p>B 2628P X2</p>	<p>B Mounting Bracket</p>  <p>B 2652P X2</p>	<p>C 1.25" Spacer</p>  <p>B 2644P X4</p>
<p>D End Cap</p>  <p>EC INSERT X4</p>	<p>E M6X72mm Torx Head Bolt</p>  <p>PN 1249 X4</p>	<p>F 1/4 Washer</p>  <p>PN 72B X4</p>
<p>G M8X40mm Button Head Bolt</p>  <p>PN 680B X4</p>	<p>H M8 Hex Flange Nut</p>  <p>PN 526 X4</p>	

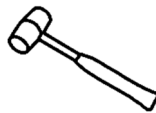
Required tools



10mm
13mm
T27 Torx

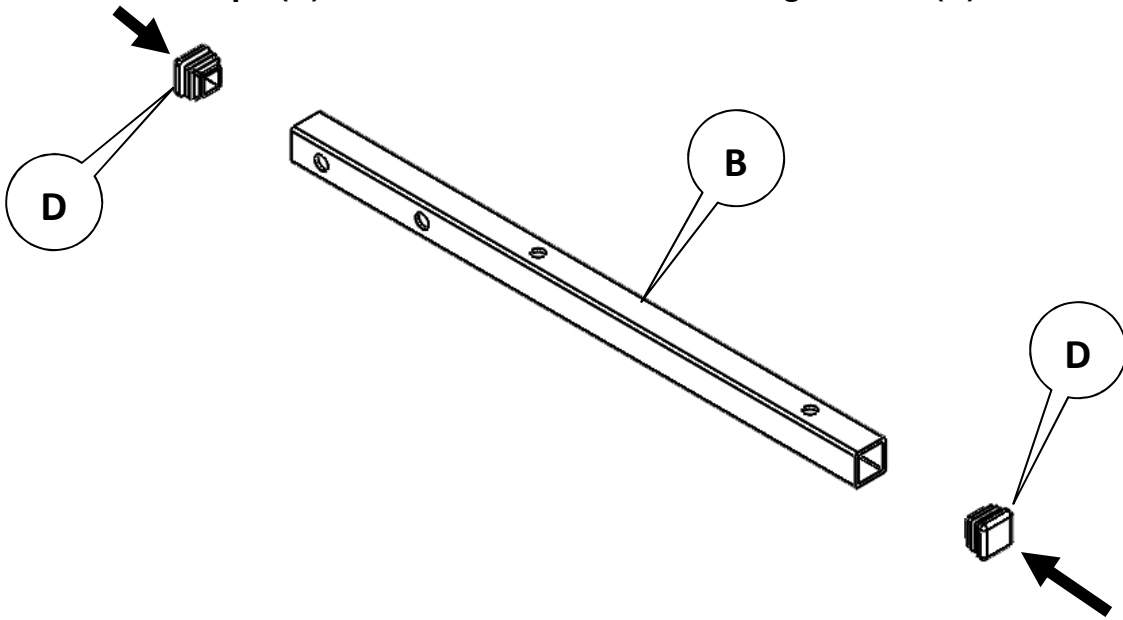


Allen Wrench
5mm



Rubber Mallet

1 Install the end caps (D) into both ends of the mounting bracket (B).



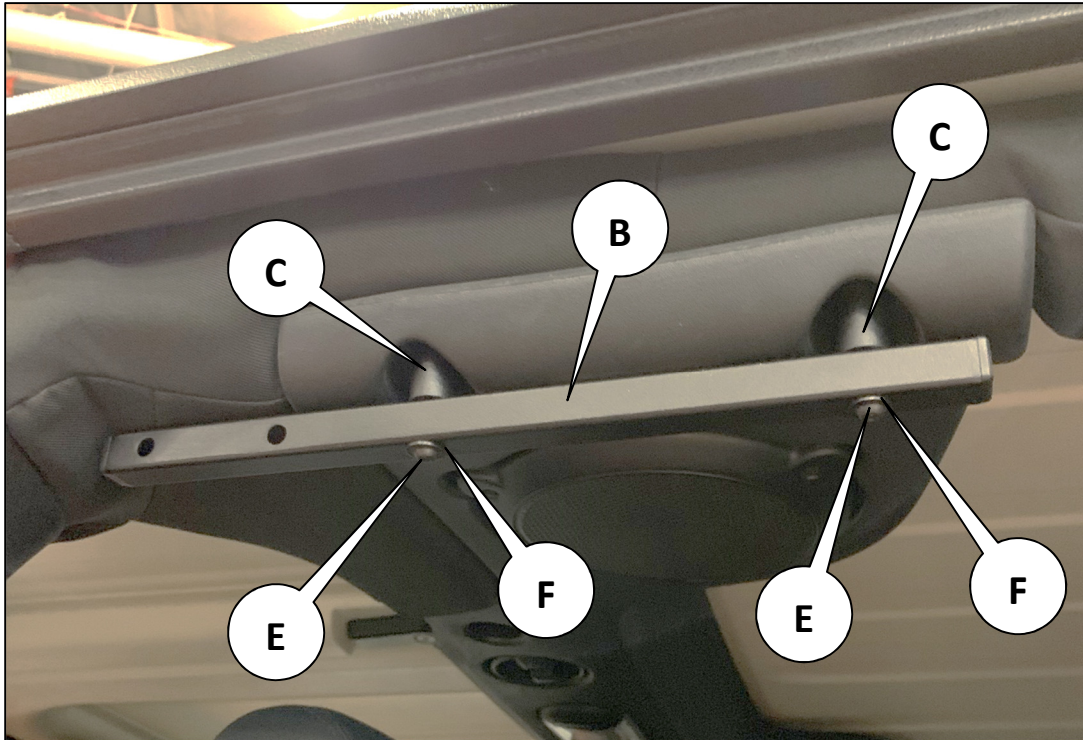
2 Remove the two bolts in the locations shown below



3

Install bolts (E), washers (F), and spacers (C) through the mounting bracket (B) and into the two mounting locations from the previous step. Fully tighten bolts at this time.

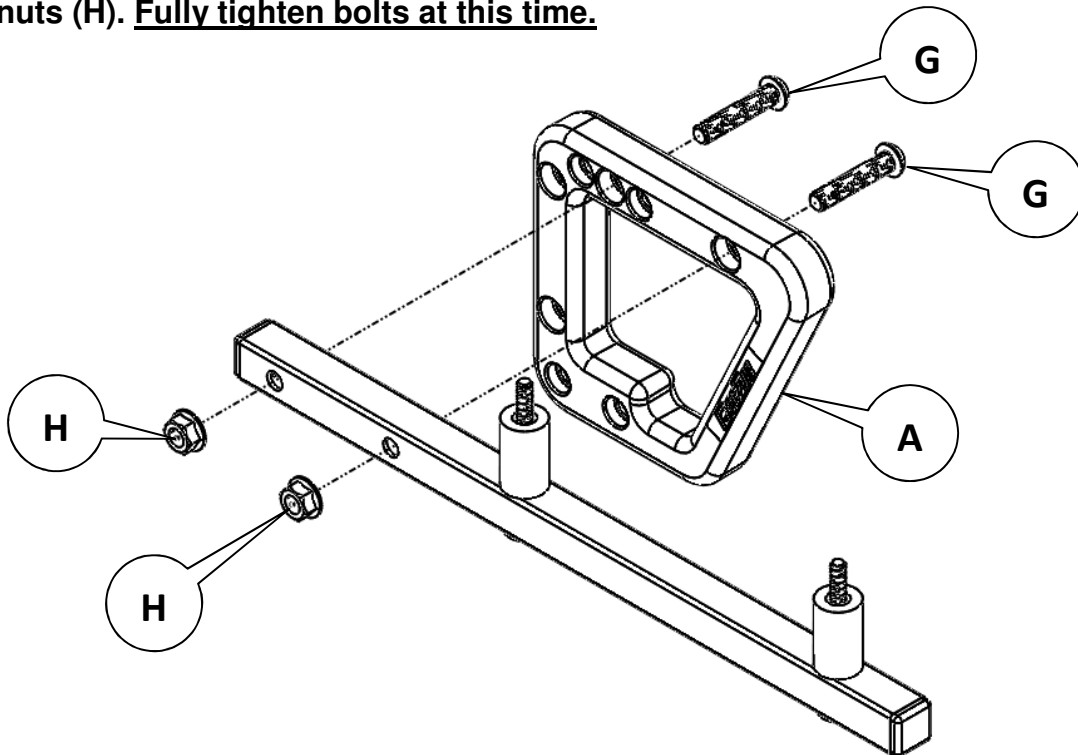
Front



Rear

4

Install the handle (A) on the inside or outside of the mounting bracket by using bolts (G) and nuts (H). Fully tighten bolts at this time.



Repeat Steps 1-4 on Passenger side