



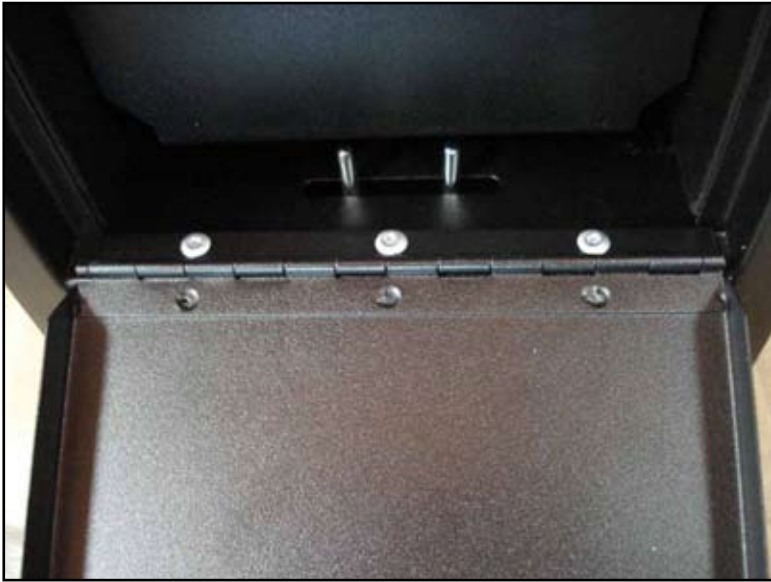
5-Drawer Tool Box

Instructions



Included Parts: Five-drawer tool box including one door with lock, five drawers, one bottom mounting tray, mounting hardware (6 bolts, 6 washers, 6 nuts), 2 keys.

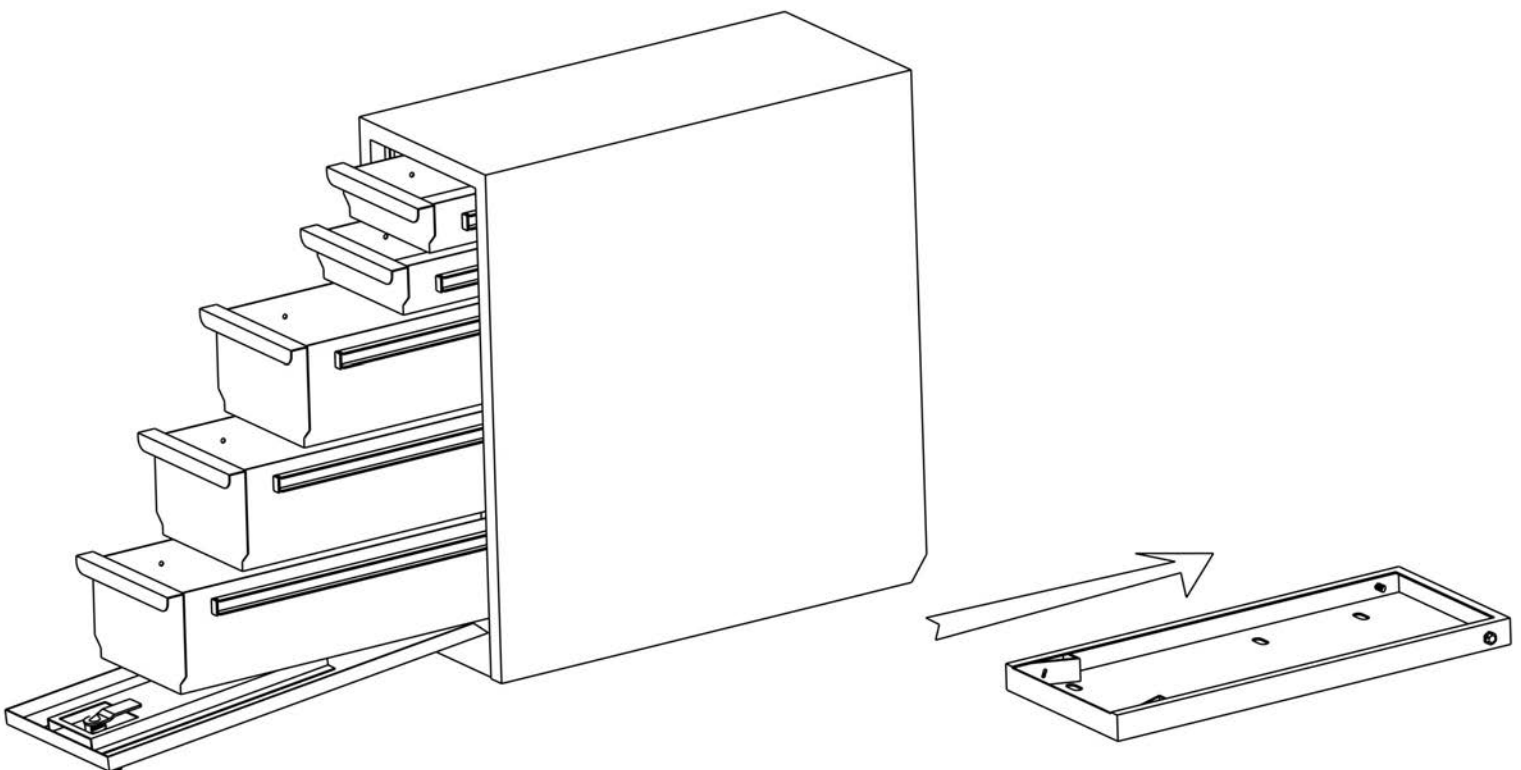
Required Tools: 3/8" drill bit, 1/2" wrench.

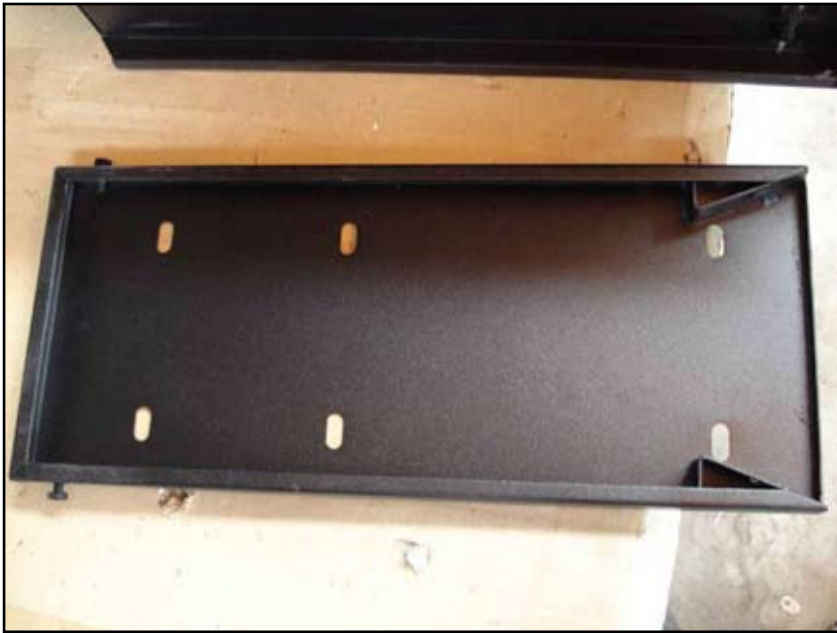


1. Open front door and remove bottom drawer to access the locking tab at on the body floor. This tab will allow you to release the mounting tray from the tool box.

2. While pressing the 2 latch posts on the inside of the box together, push the bottom tray towards the back of the box.

This will result in the separation of the mounting tray from main body housing, leaving 2 separate parts.





3. Position the mounting tray behind the fender flare of your choice, ensuring to have the front facing the tailgate.

4. When you have the mounting tray in the desired position, it is recommended to mark the holes prior to drilling in case shifting of the mounting tray occurs during drilling.
5. Using a 3/8" bit, drill through the bed exterior on your markings.
6. Thoroughly clean the surface location where the tool box will be mounted, then line up the drill holes to the mounting tray.
7. Using the bolts supplied, begin inserting them through the mounting tray into the drilled holes. Rotate tightening of screws before tightening any screw completely. As all screws become tighter, then fasten completely to the frame.
8. Ensure the undercarriage of the tool box is free of debris, as well as the mounting tray. Slide the tool box back onto the mounting tray in a similar fashion as it was removed.
9. Re-insert any trays that were removed from the tool box during installation.

10. Remove keys from interior of box to store in a safe location.

