



## Dee Zee [Wheel Well Toolbox](#) Installation Instructions

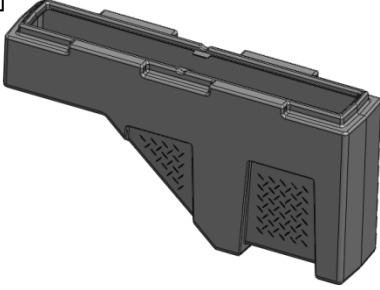
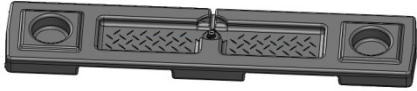

*Congratulations on your purchase of a quality Dee Zee product. Dee Zee is recognized as having the highest quality running boards and accessories on the market today. We have earned this reputation by offering our customers a product they can be proud to place on their vehicles. Dee Zee meets all the criteria of manufacturing a custom-fit product which guarantees it to be the easiest product to install.*


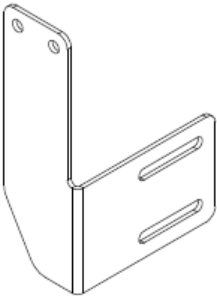
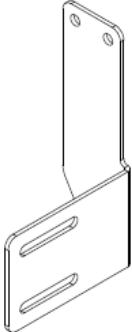
**Note:** Please take time to read all of the instructions before beginning this installation.

**Warning!** Please check for wiring or other obstructions before drilling any holes into the vehicle. If it is necessary to drill any holes into the vehicle, Dee Zee recommends putting a sealant or rust inhibitor around all holes drilled into the body of the vehicle.

**Warning!** It is the sole responsibility of the vehicle owner to check for tire clearance.

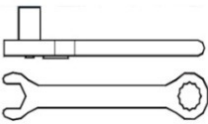

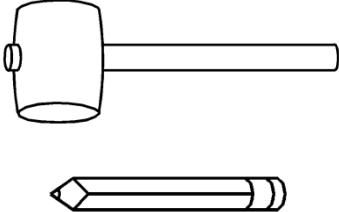
## DZ 95P Wheel well toolbox

<p><b>A</b> Toolbox body</p>  <p style="text-align: right;"><b>X1</b></p>	<p><b>B</b> Toolbox lid</p>  <p style="text-align: right;"><b>X1</b></p>	<p><b>C</b> Rod</p>  <p style="text-align: right;"><b>X1</b></p>
--	--	---

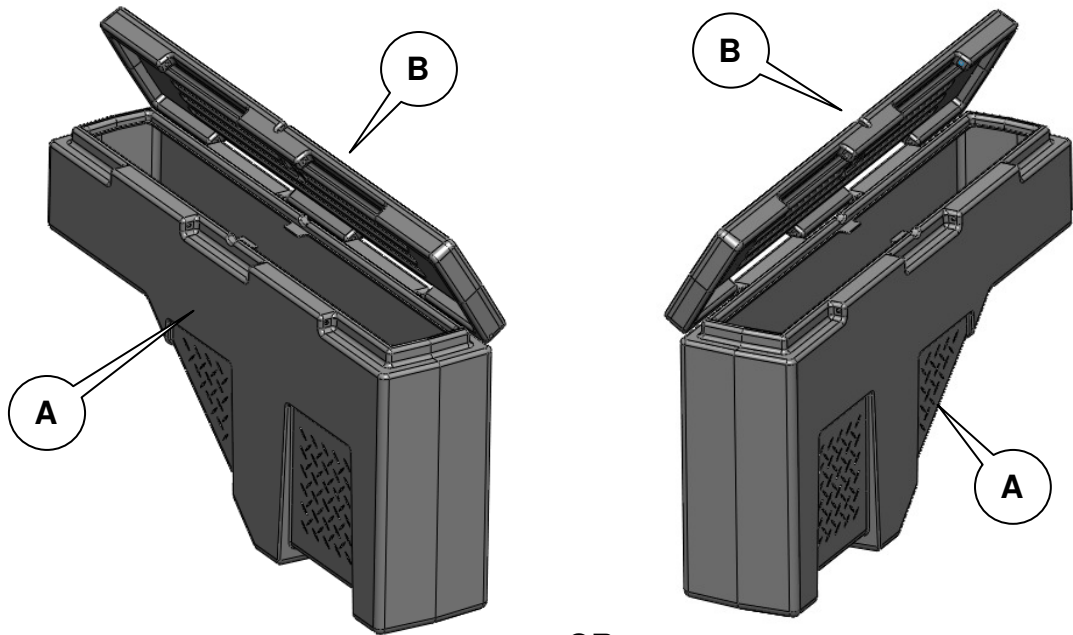
<p><b>D</b> Plastic Cap</p>  <p style="text-align: right;"><b>X2</b></p>	<p><b>E</b> Left Mounting Bracket</p>  <p style="text-align: right;"><b>X1</b></p>	<p><b>F</b> Right Mounting Bracket</p>  <p style="text-align: right;"><b>X1</b></p>
---	---	---

<p><b>G</b> 1/4" X1" Sheet Metal Screw</p>  <p style="text-align: right;"><b>X2</b></p>	<p><b>H</b> 1/4" Hex Head Bolt</p>  <p style="text-align: right;"><b>X8</b></p>	<p><b>I</b> 1/4" Hex Nut</p>  <p style="text-align: right;"><b>X8</b></p>
--	--	--

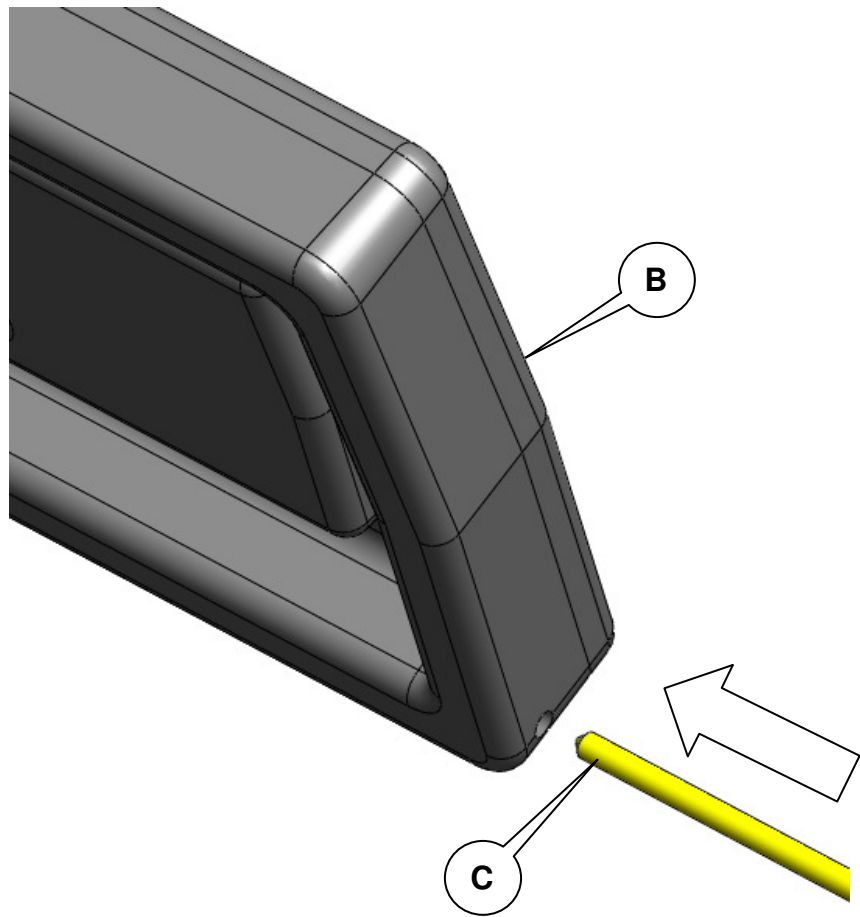
<p><b>J</b> 1/4" Washer</p>  <p style="text-align: right;"><b>X16</b></p>		
--	--	--

<p><b>Tools Required</b></p> <p>Ratchet / Wrench 3/8" 7/16"</p> 	<p>Drill Bit Sizes: 3/16" 1/4"</p> 	
---	---	---

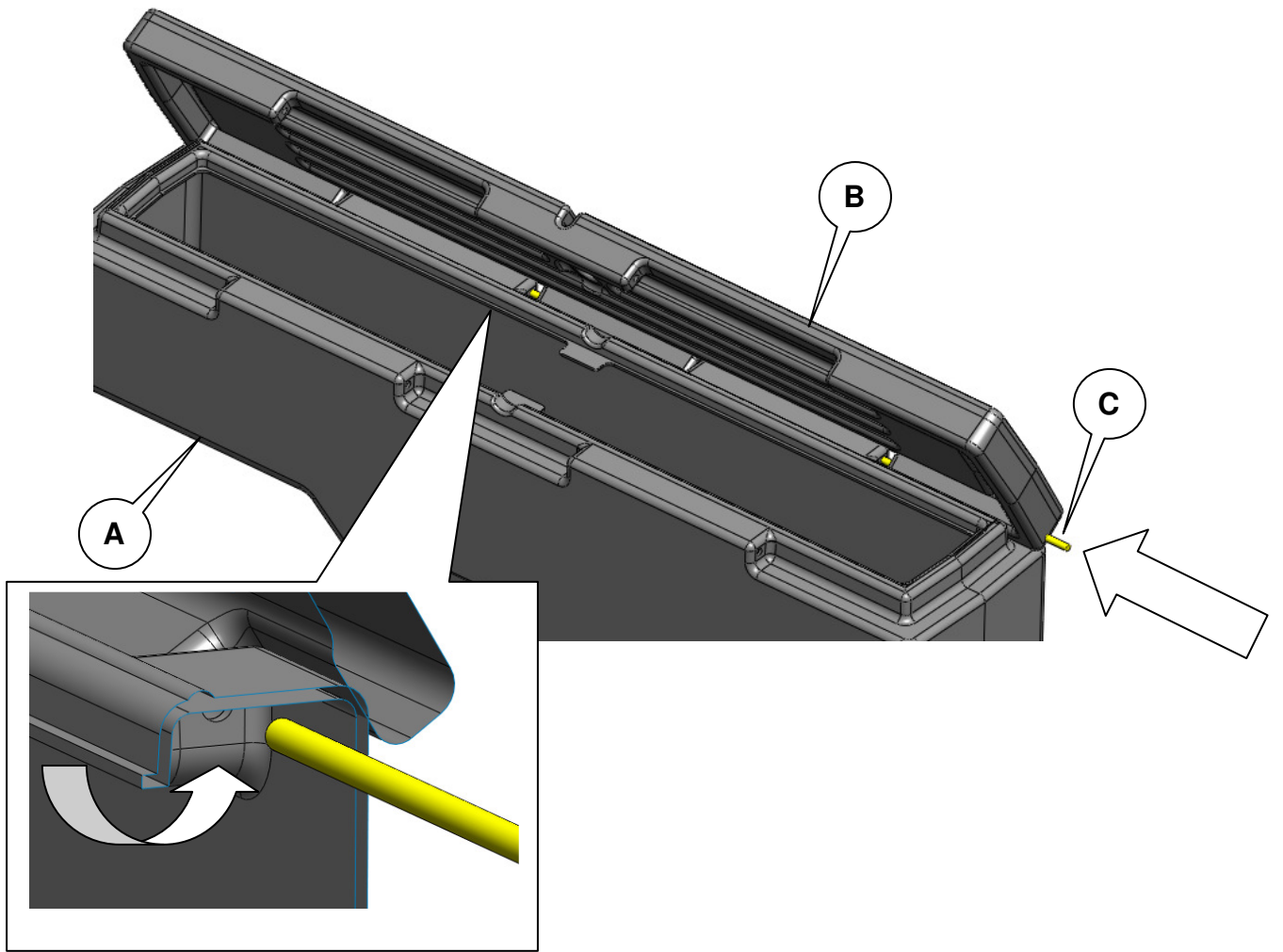
1



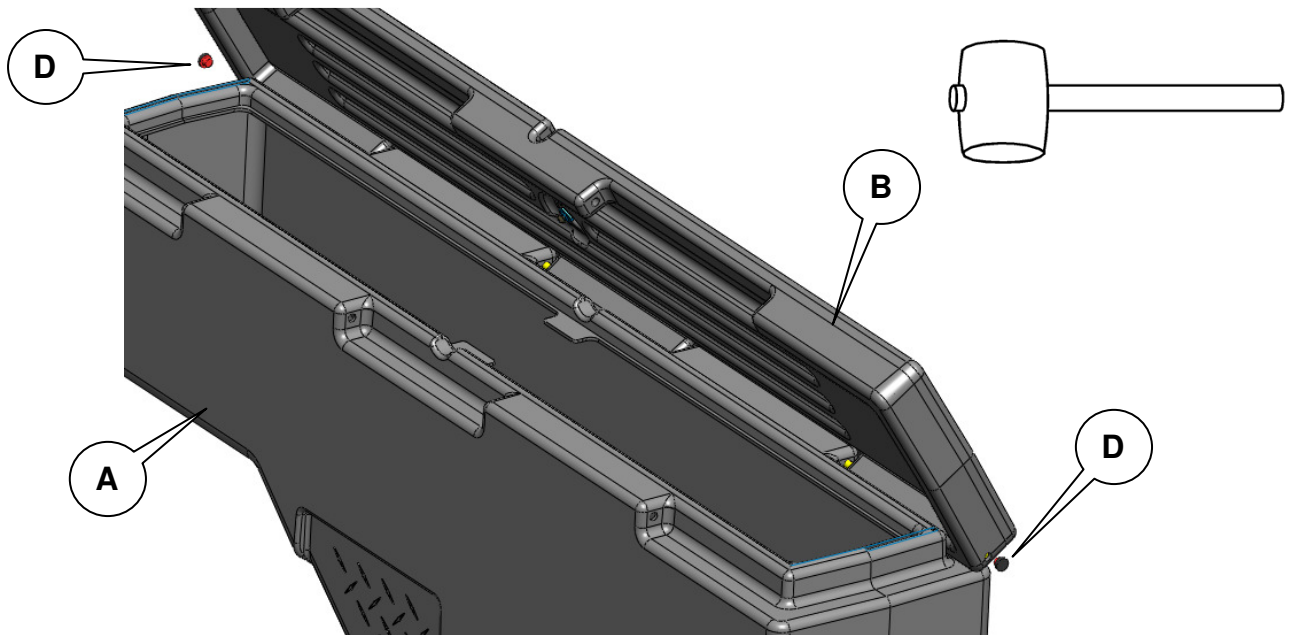
OR



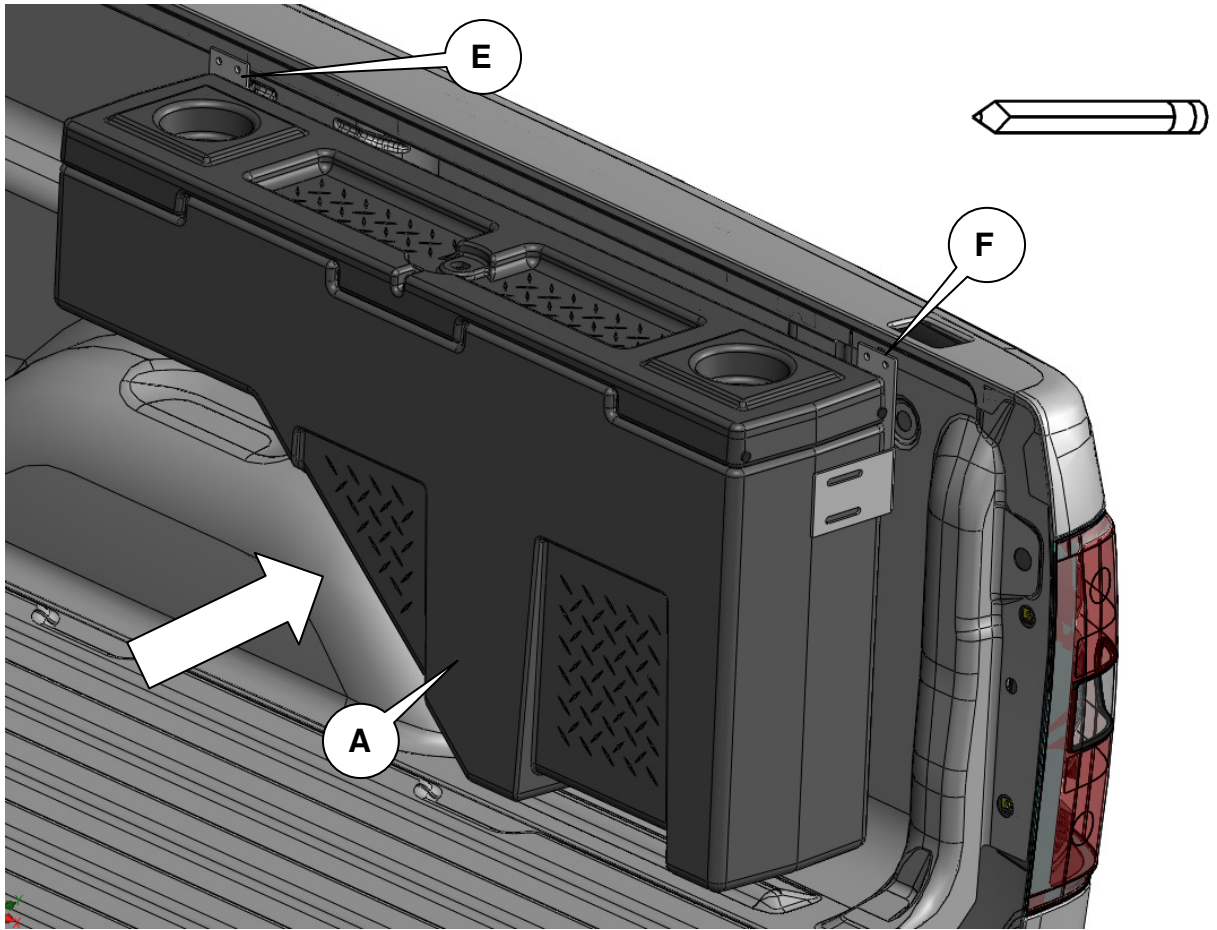
2



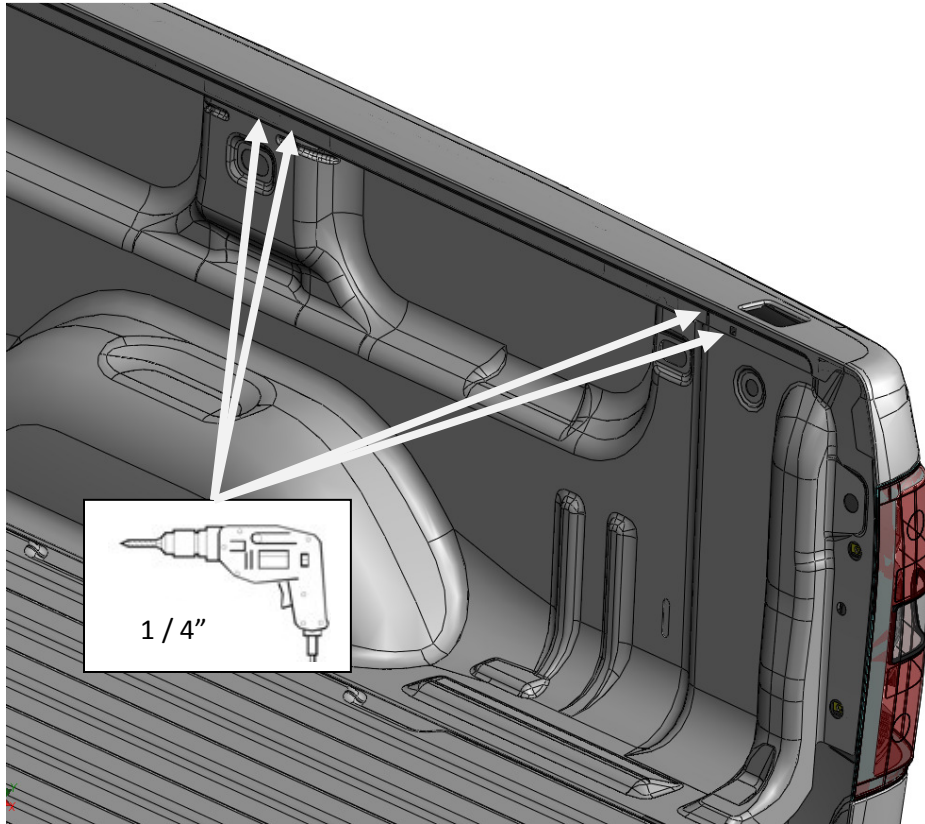
3



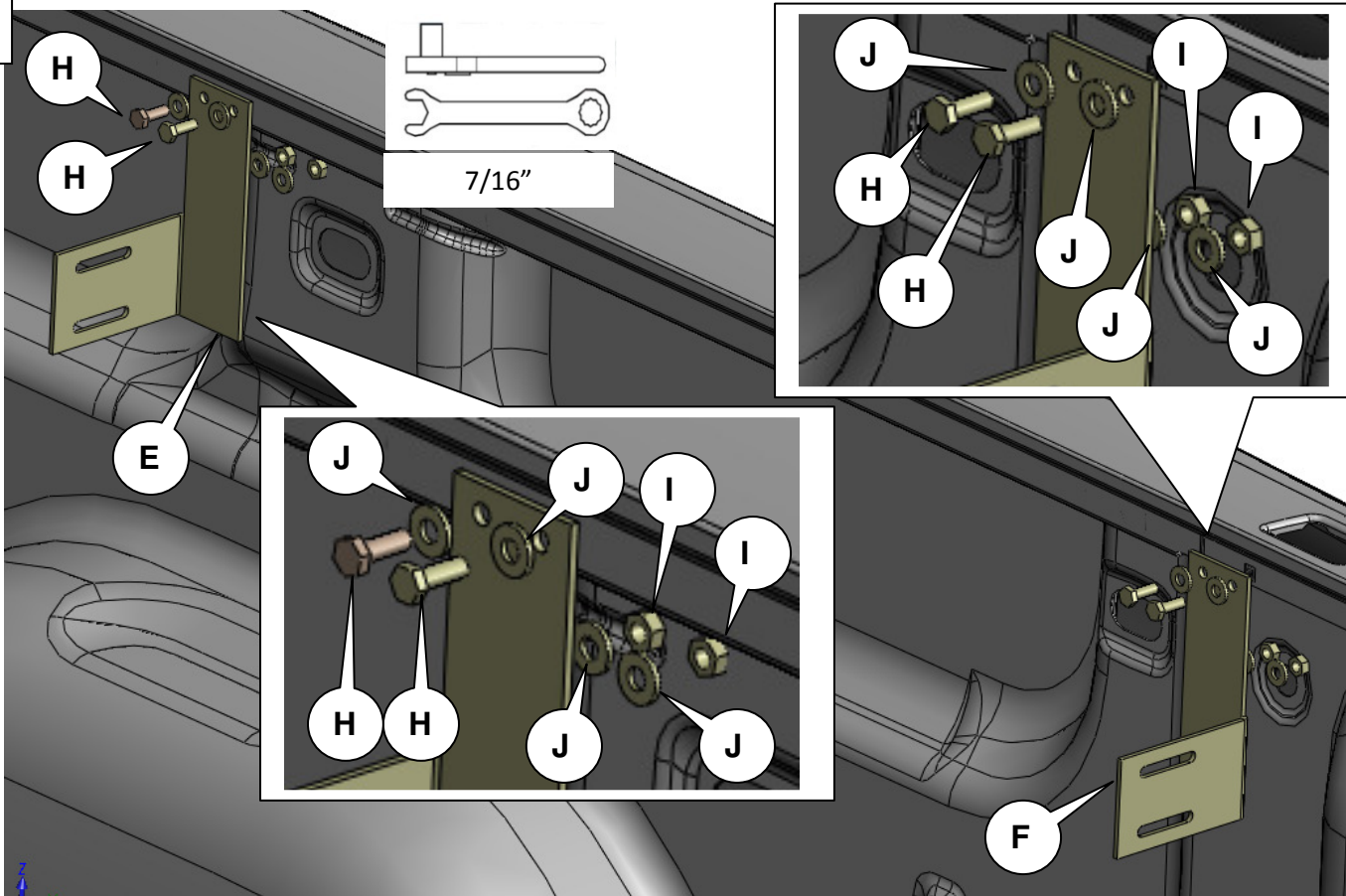
4



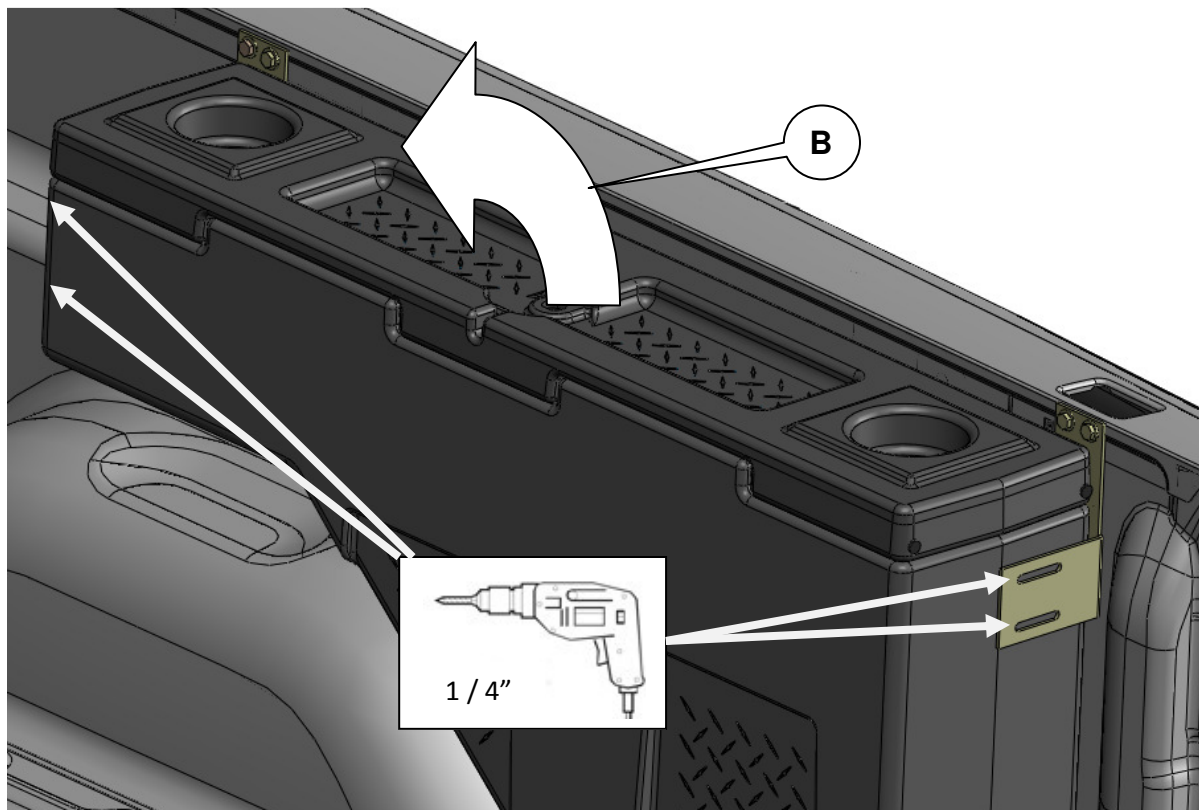
5



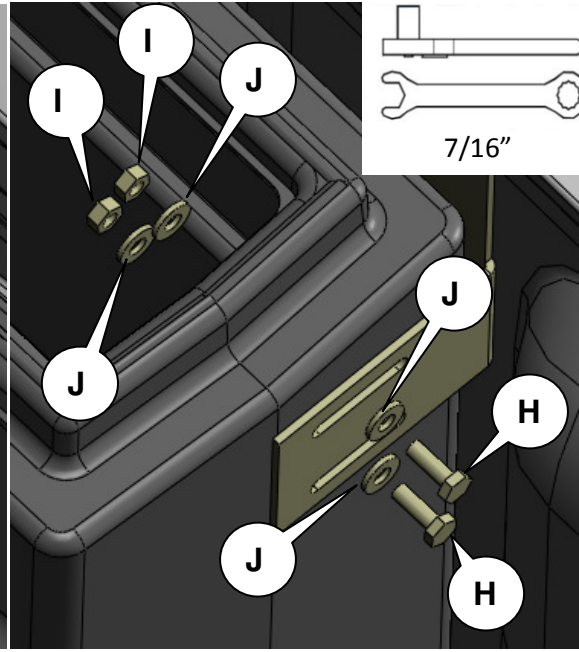
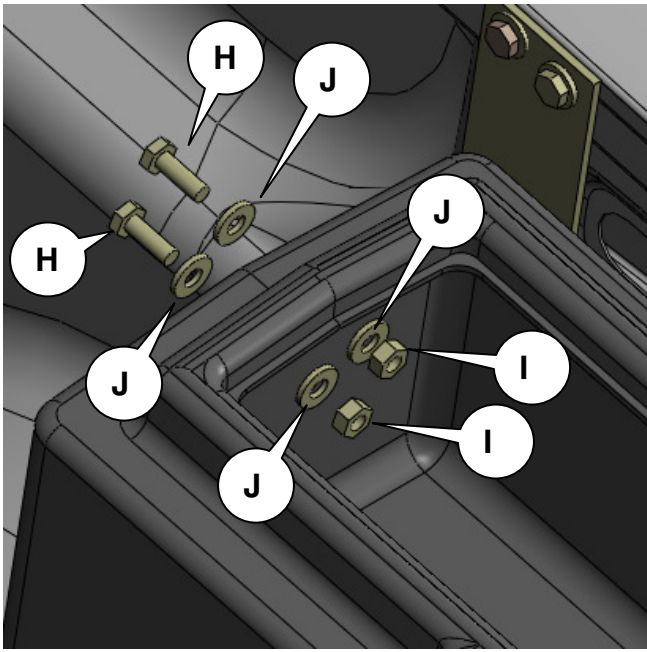
6



7



8



OPTION

