



Dee Zee Toolbox Installation Instructions

Congratulations on your purchase of a quality Dee Zee product. Dee Zee is recognized as having the highest quality running boards and accessories on the market today. We have earned this reputation by offering our customers a product they can be proud to place on their vehicles. Dee Zee meets all the criteria of manufacturing a custom-fit product which guarantees it to be the easiest product to install.

Note: Please take time to read all of the instructions before beginning this installation.

Warning! If it is necessary to drill any holes into the vehicle, Dee Zee recommends putting a sealant or rust inhibitor around all holes drilled into the body of the vehicle.

Cleaning Instructions: To maintain the bright finish of your Dee Zee Stainless Steel Toolbox, clean with a mild detergent and then apply a high grade automotive type wax.

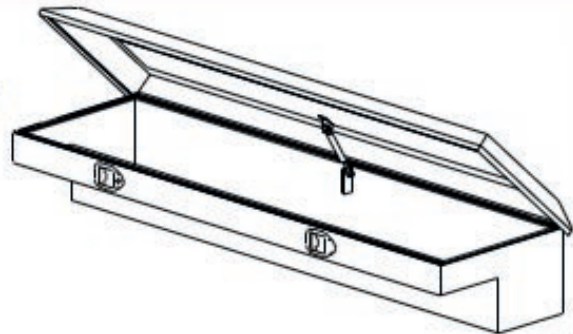
Side Mount / Topsider Toolbox Installation Instructions

This toolbox installation instruction is for both Single-Lid Toolboxes and Double-Lid Toolboxes.

A

Britetread Side Mount Toolbox:

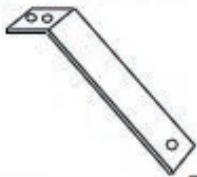
Toolbox lid design may vary from picture with different toolbox models.



X1

B

Mounting Bracket



X4

C

Foam Tape



X2

D

1/4" Flat Washer



X12

E

1/4 x 1" Sheet Metal Screw



X4

F

1/4 x 1" Sheet Metal Screw



X8

G

1/4 x 1" hex cap screw



X8

H

1/4" Nylon insert lock nut

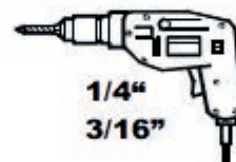
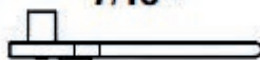


X8

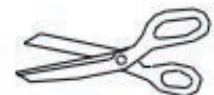
Tools Required:



7/16"

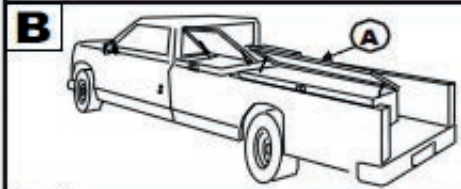
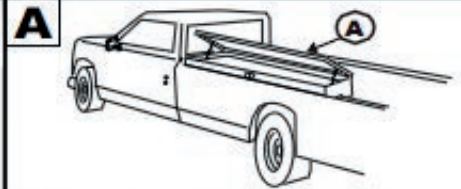


1/4"
3/16"

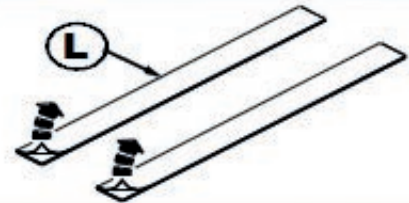


1

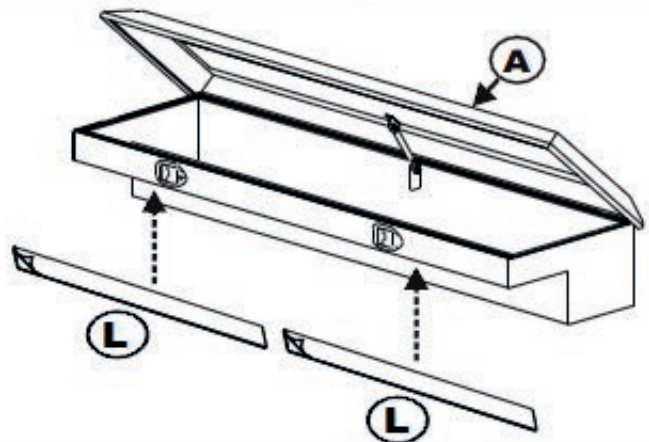
Use the pictures to the right as a guide in locating the side mount / topsider toolbox (A). **Note:** If the side mount / topsider toolbox (A) is to be installed with a front mount toolbox (As shown in Drawings B and C), be sure to leave enough space between the toolboxes to allow clearance to open both toolbox lids.

**2**

Peel backing off of foam tape (L).

**3**

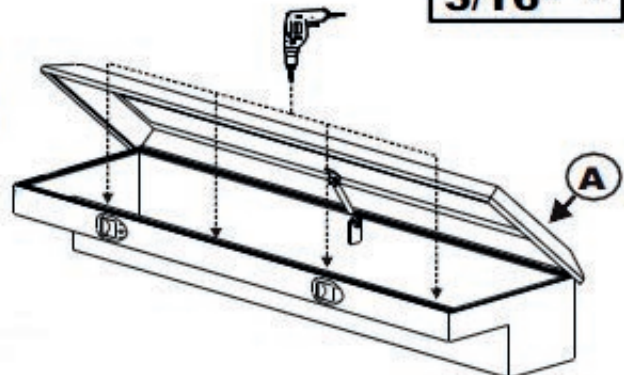
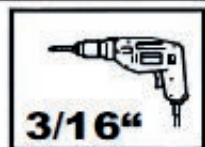
Place foam tape (L) onto the bottom of side mount / topsider toolbox (A) to protect the bed rail of the vehicle.

**4**

Drill 3/16" holes through the inside side mount / topsider toolbox (A) and the pickup truck bed rail according to the part number listed below:

- 1) 48 / topsider - Drill four holes through the bed rail.
- 2) 60, 65 - Drill six holes through the bed rail.
- 3) 67 - Drill eight holes through the bed rail.

Secure into position using 1/4 x 1" sheet metal screws (F). Tighten into place using a 7/16" wrench / or socket. **Note:** Do not overtighten the sheet metal screws. Make sure that if your vehicle already has a crossover toolbox installed, that you position your side mount toolbox so that it is aligned with the crossover toolbox.



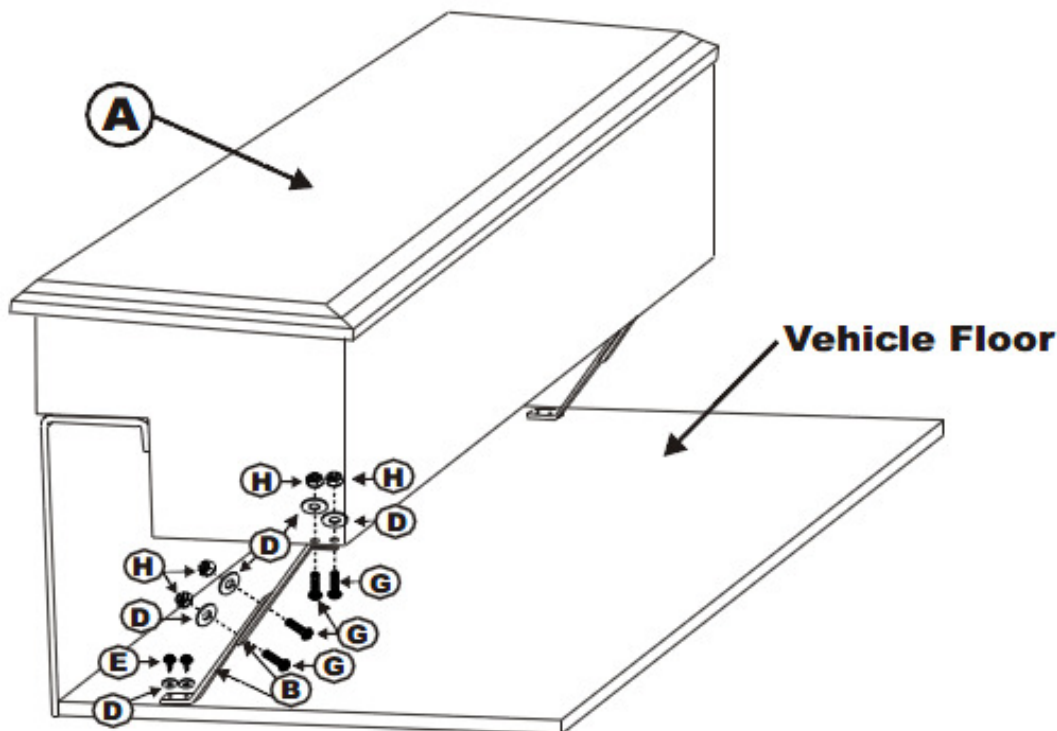
5

Hold the side mount / topsider toolbox (A) level while positioning mounting bracket (B) as shown below. Once the toolbox (A) is level and the mounting brackets (B/B) are in the desired position, use a pair of vise-grips to hold them together. Now use the existing holes in mounting bracket (B) as a guide to drill two 1/4" holes through mounting brackets (B/B). Secure both mounting brackets (B/B) together using a 1/4 x 1" button head bolt (G), 1/4" flat washer (D), and 1/4" hex nut (H) at each location. Tighten the 1/4" hex nut (H) until snug using a 7/16" wrench / or socket.

Reposition mounting brackets (B / B) and then re-check the toolbox (A) to make sure that it is level.

Use the existing holes in the bottom of mounting bracket (B) and mark the vehicle floor. Drill two 3/16" holes in the vehicle floor at the marked locations. Secure mounting brackets (B) to the vehicle floor using 1/4 x 1" black sheet metal screws (E) and 1/4" black flat washers (D). Tighten into place using a 7/16" wrench / or socket.

Now use the two existing holes in the top of mounting bracket (B) as a guide to drill two 1/4" hole through the bottom of toolbox (A). Secure the top of mounting bracket (B) to the side mount toolbox using a 1/4 x 1" Hex cap screw (G), 1/4" flat washer (D), and 1/4" hex nut (H). Tighten into place using a 7/16" wrench / or socket.



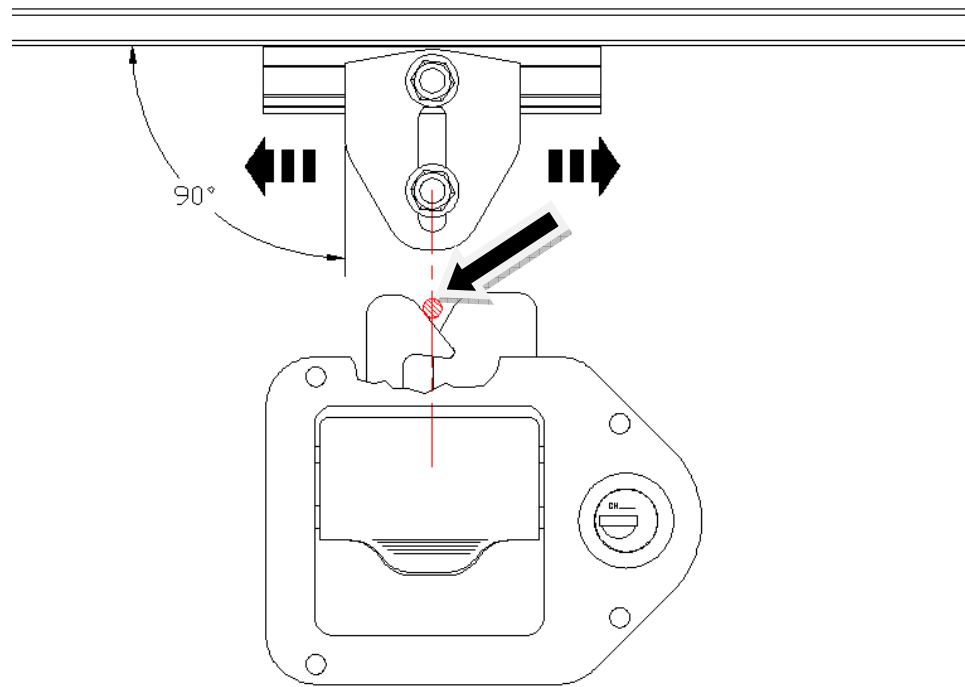
TOOL BOX LATCH ADJUSTMENT

NOTE: TOOL BOX LATCH WAS PRESET AT THE FACTORY. MAKE SURE THE LATCH IS ADJUSTED TO THAT OF YOUR DESIRED SEAL.

ALSO, PERIODIC ADJUSTMENT MAY BE NEEDED OVER TIME.

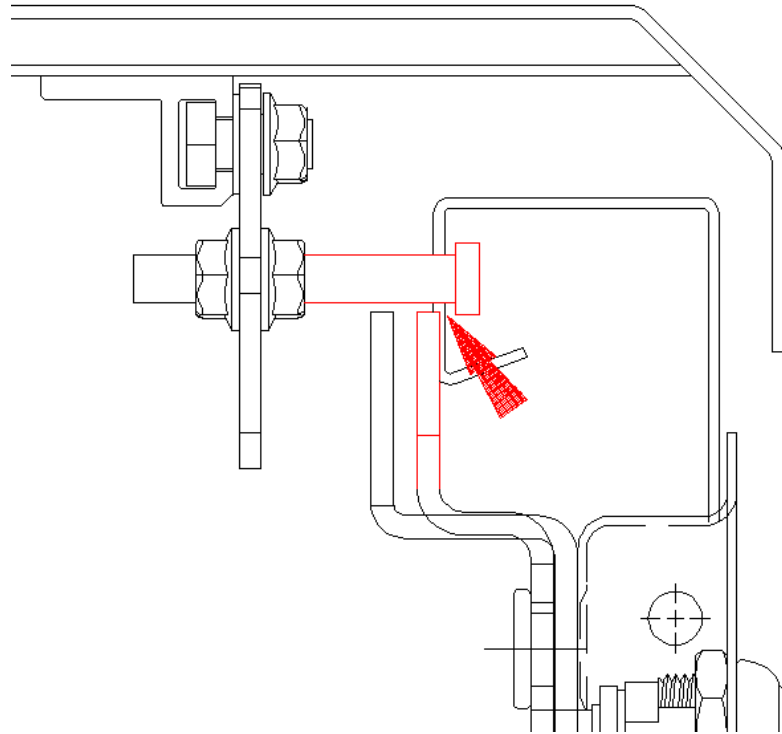
PLEASE REFER TO LATCH ADJUSTMENT INSTRUCTION BELOW.

1. Keeping the striker plate perpendicular to the lid, adjust the striker location left and right to align the pin with the latch as shown below. The dot identified by the arrow shows the preferred location of the striker pin.

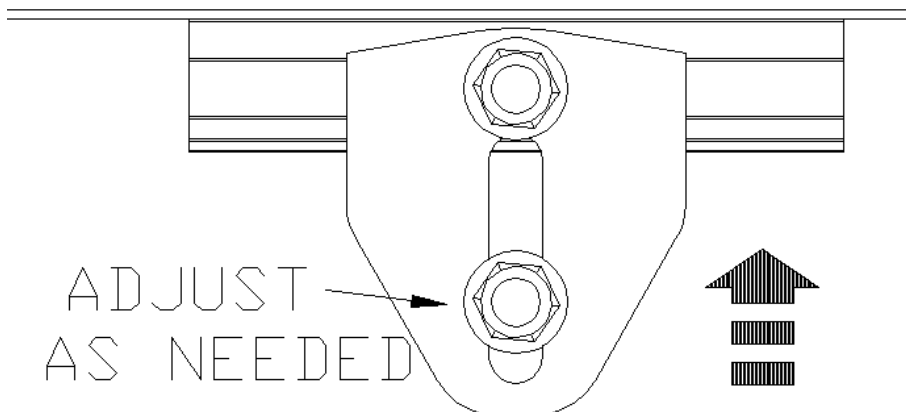
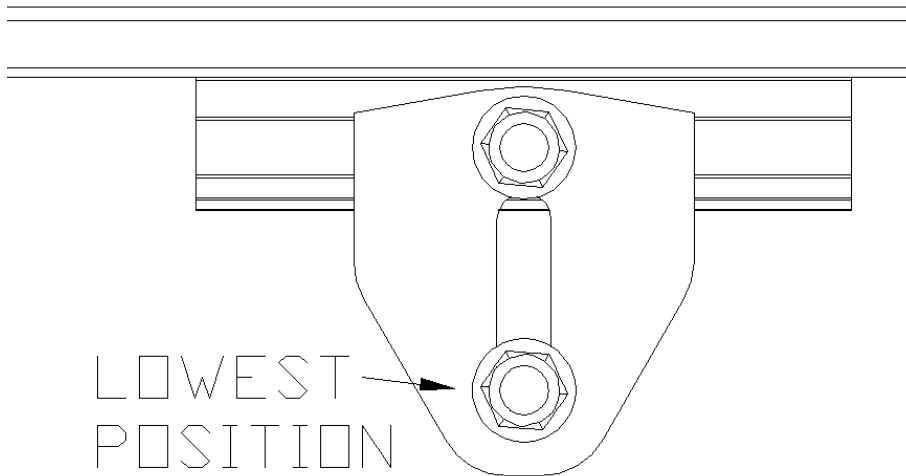


2. When the striker pin is correctly centered, tighten top bolt to set the location.

3. Set the pin depth to ensure that the head will clear the latch.

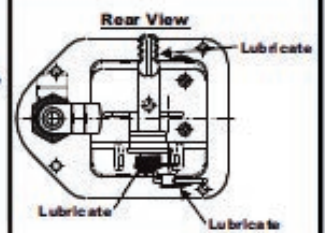
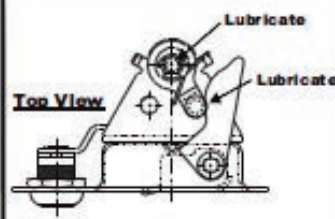
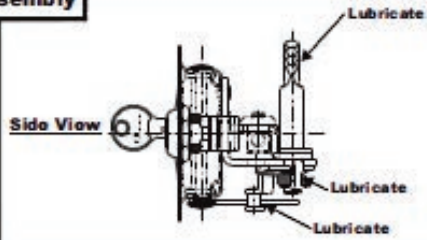
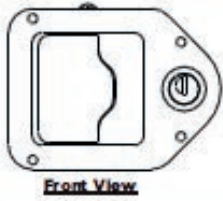


4. Tighten the pin in the lowest location, and close the lid. If the lid is able to move up and down when latched, the latch pin needs adjusted. Adjust the pin up the approximate amount the lid is able to move and retighten.

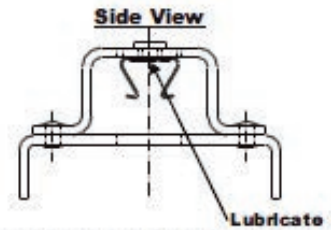
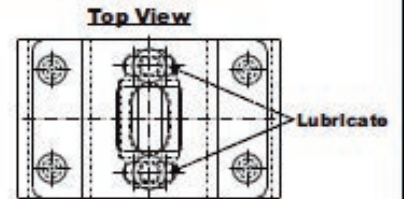


MAINTENANCE INSTRUCTIONS: All locks, latches, latching rods, and hinges should be lubricated regularly to assure smooth and proper operation for the life of the toolbox.

Toolbox Paddle Latch Assembly

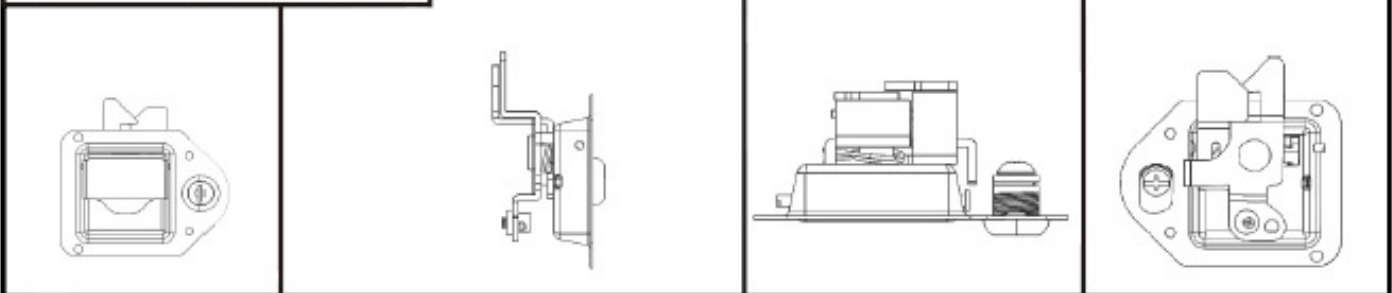


Toolbox Catch Assembly

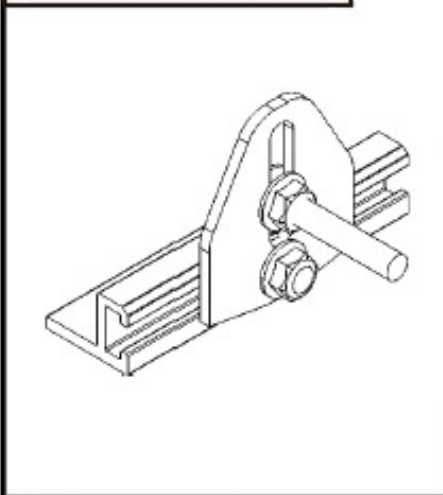


Replacement Parts for Side Mount Toolbox

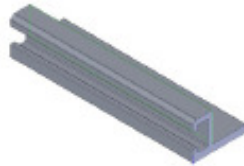
Toolbox Hook-Paddle Latch Assembly



Toolbox Hook-Catch Assembly



C-Channel Extrusion
Part Number: B 1602



Rotary Plate - Adjustable Latch
Part Number: B 1601



1/4-20 Hex Head Cap Screw
Part Number: PN 70B



1/4-20 Threaded Stud
Part Number: PN 810



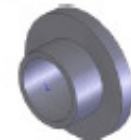
1/4-20 Flange Locknut Zinc
Part Number: PN 178



1/4-20 Nylon Locknut Ultra
Part Number: PN 341B



Nylon Standoff
Part Number: PN 860



Pushbutton - Blue Series

Spacer Brace for Push Button
Part Number: B 1623



Adjustable Latch
Part Number: B 1610



Carburetor Clip 7R
Part Number: LCC-2



Mounting Bracket
Part Number: B 1625



Shock Mount
Part Number: SL-69



Nylon Bushing
Part Number: PN 116



5/16-18 Nylon Insert Locknut
Part Number: PN 510



10 x 1/4 Square Pan Self Drill
Part Number: PN 872



Push Latch
Part Number: TB 85623



Rotary Latch
Part Number: TB 85624

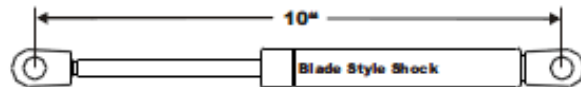


Rod End Adaptor
Part Number: TB 85626

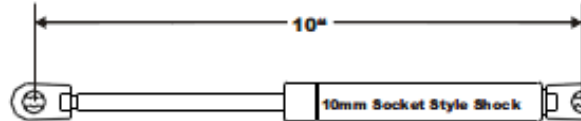


Replacement Parts for Side Mount Toolbox Cont.

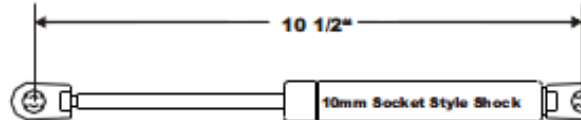
Shocks



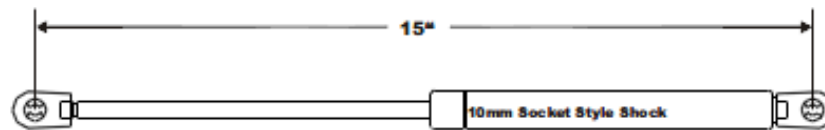
Blade Style Shock			
Shock #	20#	40#	70#
Part Number	SL1-20	SL1-40	SL1-70



10mm Socket Style Shock			
Shock #	20#	40#	70#
Part Number	SL-3020	SL-3040	SL-3070



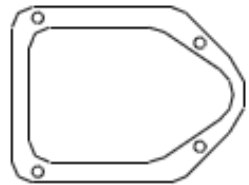
10mm Socket Style Shock					
Shock #	20#	40#	60#	80#	100#
Part Number	SL-3220	SL-3240D	SL-3260D	SL-3280D	SL-32100D



10MM Socket Style "Long" Style Shock		
Shock #	90#	40#
Part Number	SL-3390	SL-3340

Miscellaneous Parts

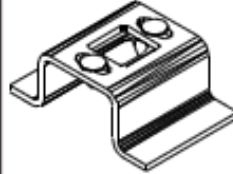
Foam Latch Gasket
Part Number: TB85409



Shock Clip
Part Number: SL-81



Striker Assembly
Part Number: TB85616



Shock Mount Nut
Part Number: PN 301



Latch Cover Rivet
Part Number: PN 285



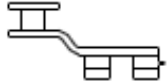
Latch Rivet
Part Number: PN 157



Hinge Rivet
Part Number: PN 762



Rod Clip
Part Number: LCC-1



Rod Guide
Part Number: TB85615



1/4" Flat Washer
Part Number: PN 72B



1/4 x 1" Sheet Metal Screw
Part Number: PN 97B



1/4 x 1" Sheet Metal Screw
Part Number: PN 97



1/4 x 1" Bottom Head Screw
Part Number: PN 96B



1/4" Locknut
Part Number: PN 341B



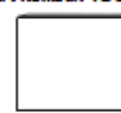
Mounting Bracket
Part Number: TBTRACE1



Divider Mounting Channel
Part Number: TB-Channel



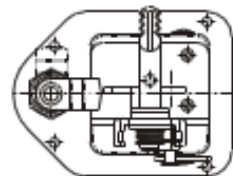
Toolbox Divider
Part Number: TB-Divider



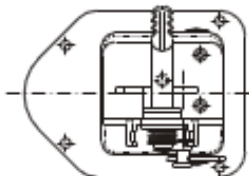
Toolbox Divider Tape
Part Number: CO-tape



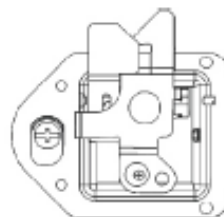
Rear View: Locking Latch
Part Number: TB85613



Rear View: Non-Locking Latch
Part Number: TB85614



Rear View: Locking Hook
Part Number: Tb85608



Rear View: Non-Locking Hook
Part Number: Tb85608

