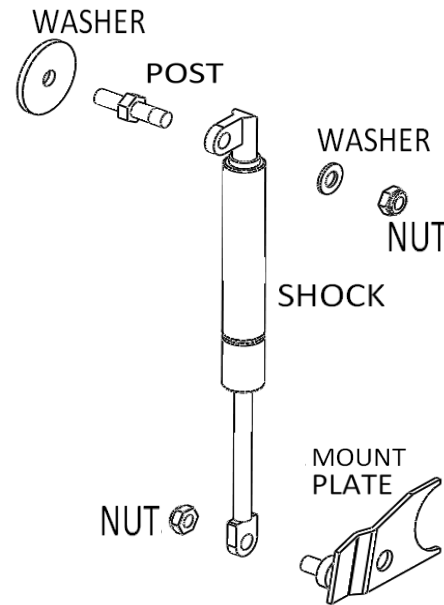


FOR INSTALLATION ON DRIVER'S SIDE ONLY



DZ 43100
TAILGATE ASSIST
 CHEVY 1999-2007 (07 CLASSIC ONLY)



PARTS LIST:

ITEM	QTY
SHOCK	1
POST	1
LARGE WASHER	1
SMALL WASHER	1
MOUNT PLATE	1
NUT	2
THREAD LOCK TUBE	1

TOOLS REQUIRED:
 13MM WRENCH

NOTE: THIS PRODUCT CAN ONLY BE INSTALLED ON THE DRIVER'S SIDE.

STEP 1)

Using a 13mm wrench or socket, remove the bolt by the tailgate pivot.



STEP 2)

Install the shock mount plate using the bolt removed in the previous step.



STEP 3)

Remove the cable from the cable bolt. Using a 13mm wrench/socket, remove the cable bolt.



STEP 4)

Apply thread lock to the threads on the post stud. Install the post stud and large washer where the cable bolt was removed. The fully threaded end installs into the truck. Tighten with a 13mm wrench.



FOR INSTALLATION ON DRIVER'S SIDE ONLY

STEP 5)

Place the tailgate cable on the bolt stud.



STEP 6)

Place the shock on the bottom mount and top mount as shown. Install a washer and nylock nut on the top post. Install a nylock nut on the mount plate stud.

The nuts must be tight enough for the thread to engage the nylon ring in the nut, but not too tight that they prevent the parts from moving freely around the stud.

