



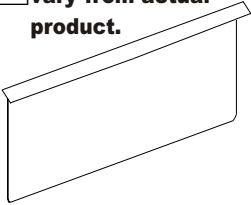

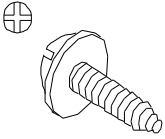
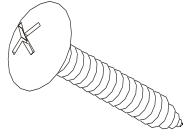
## Dee Zee Tailgate Protector

**Congratulations on your purchase of a quality Dee Zee product. Dee Zee is recognized as having the highest quality truck accessories on the market today. We have earned this reputation by offering our customers a product they can be proud to place on their vehicle. Dee Zee meets all the criteria of manufacturing a custom-fit product which guarantees it to be the easiest product to install.**

**Instructions: Please take time to read all of the instructions carefully before beginning this installation.**

**Note: If holes are drilled into the body panel of your vehicle, Dee Zee recommends putting a sealant or rust inhibitor around all holes drilled into the body panel of your vehicle.**

**Cleaning Instructions for aluminum full tailgate protectors: To maintain the finish of your Dee Zee full tailgate protector, clean with a mild detergent.**

<p>vary from actual product.</p>  <p><b>Full Tailgate Protector</b></p>	<p><b>Optional: Some applications require the use of Alcohol Pads. (Tape Applications Only)</b></p> 	<p><b>Optional: Some applications require #8 x 3/4" sheet metal screws. (Chevy / Dodge / Old Ford P/U's)</b></p> 	<p><b>Optional: Some applications require #14 x 1" sheet metal screws. (1997 - Current Ford P/U's - Only).</b></p> 
<b>X1</b>	<b>X2</b>	<b>X8</b>	<b>X4</b>

**Note: See Step 1 for full tailgate protector applications which have tape applied to them.**

**Note: See Step 2 for full tailgate protector applications which have installation hardware (C).**

**Note: See Step 3 for full tailgate protector applications which have installation hardware (D). (1997 - Current) Ford P/U's - Only**

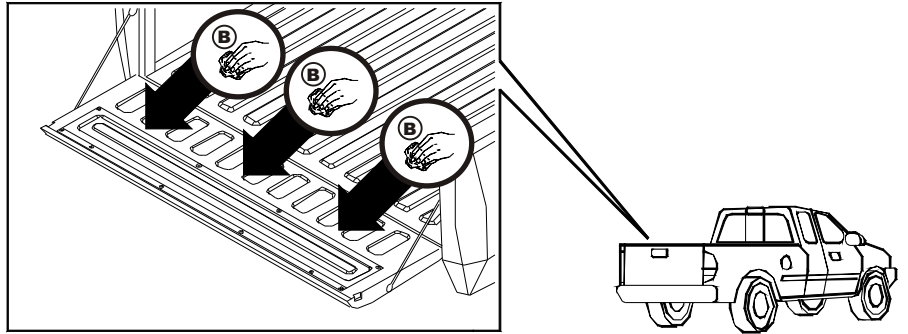
**Note: See Step 4 for full tailgate protector applications which have tape applied to them and installation hardware (C). (2007 Chevy Silverado's and GMC Sierra's).**

## 1a

**Note: Test fit the full tailgate protector (A) to the vehicle tailgate to obtain proper placement and fit. Due to the extreme adhesion of the tape, proper placement of the full tailgate protector (A) should be accomplished the first time before the full tailgate protector (A) is installed on the vehicle. Two people are recommended for this installation.**

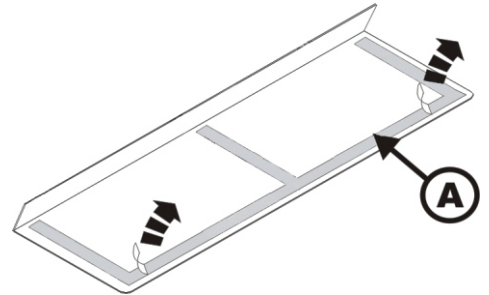
## 1b

**Clean the vehicle tailgate using the enclosed alcohol pads (B).**



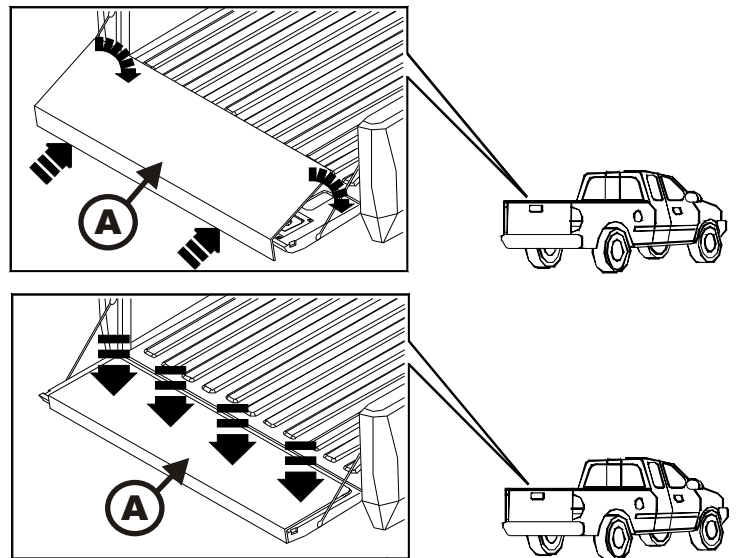
## 1c

**Peel the backing off of the tape on the full tailgate protector (A) as shown.**



## 1d

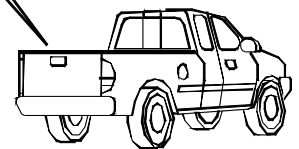
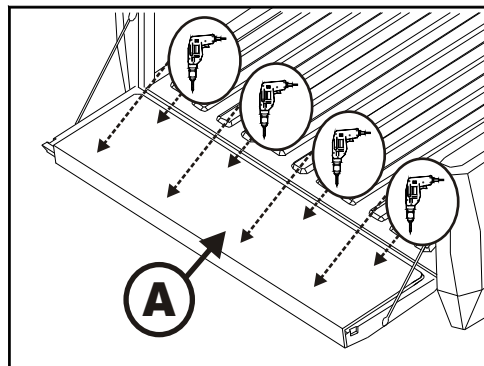
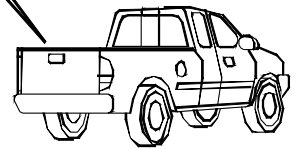
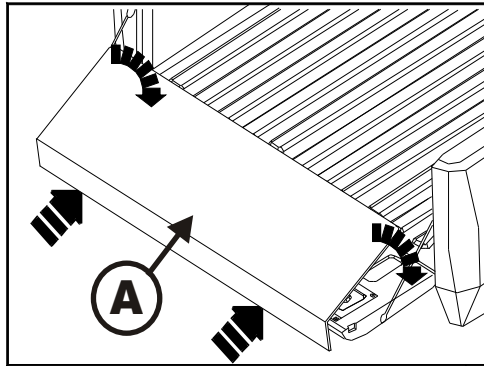
**Place the full tailgate protector (A) onto the vehicle tailgate and press firmly into place as shown.**



**Note: If your full tailgate protector (A) has hardware enclosed, see Step 2 to complete your installation.**

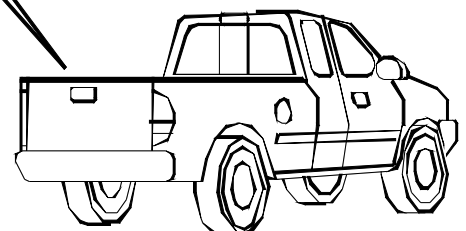
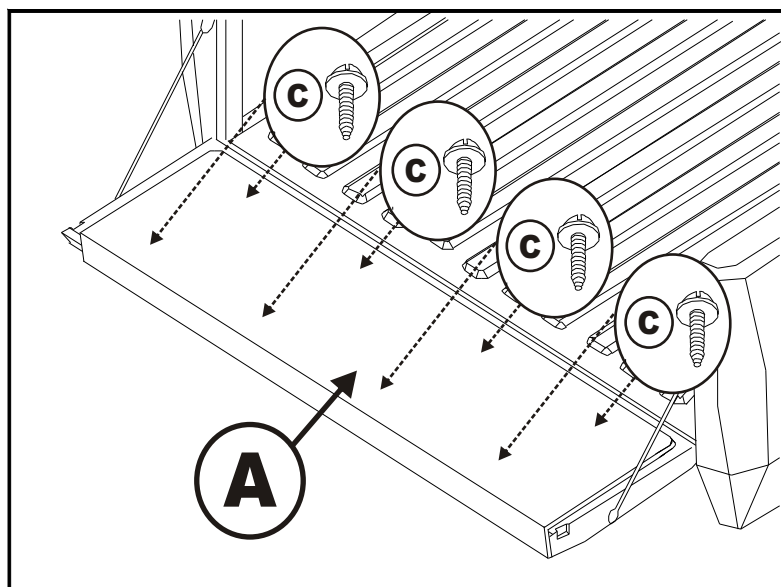
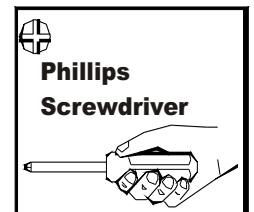
## 2a

Push the full tailgate protector (A) firmly into place and then drill four evenly spaced 9/64" holes across the top and bottom of the full tailgate protector (A) as shown.



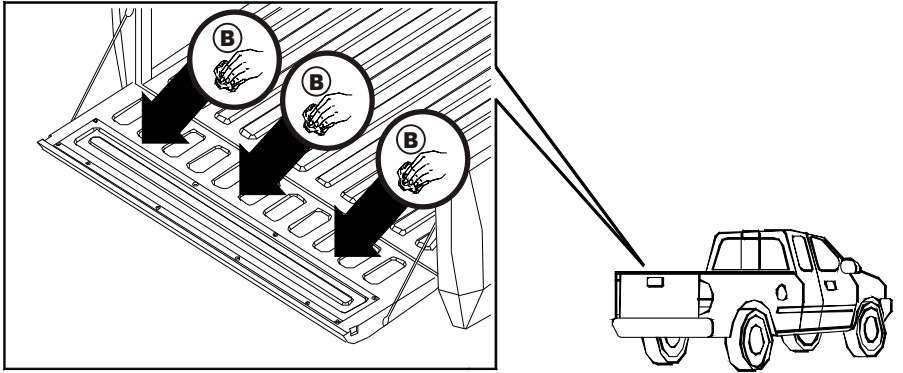
## 2b

Secure the full tailgate protector (A) to the vehicle tailgate using the #8 x 3/4" panhead sheet metal screws (C) as shown below. Tighten into place using a phillips head screwdriver.



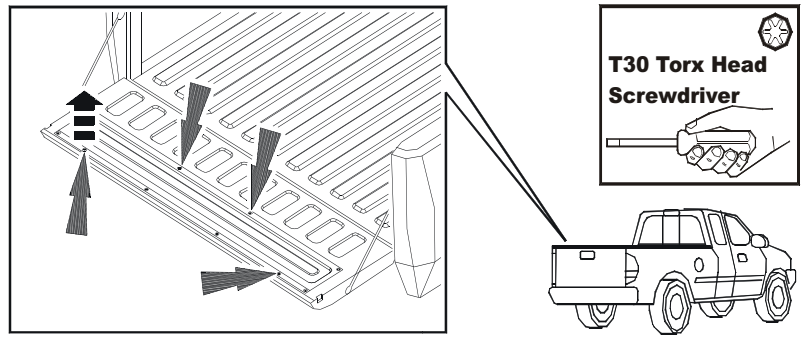
### 3a

Clean the vehicle tailgate using the enclosed alcohol pads (B).



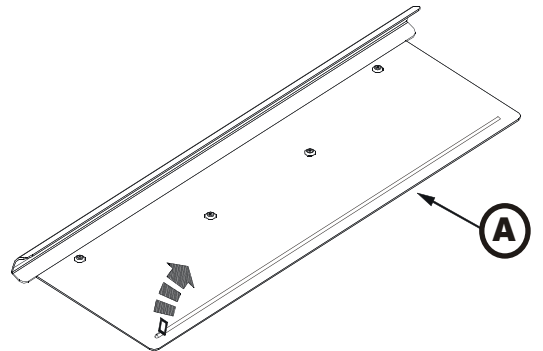
### 3b

Locate and remove the existing torx head screws located on the vehicle tailgate using a T30 torx head screwdriver as shown.



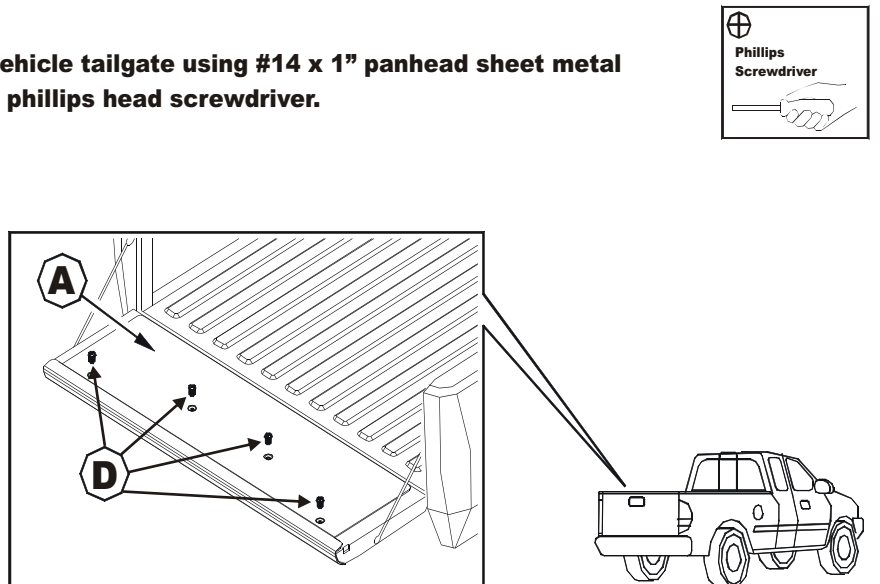
### 3c

Peel the paper backing off of the tape located on the bottom of the full tailgate protector (A) as shown in the drawing to the right.



### 3d

Attach the full tailgate protector (A) to the vehicle tailgate using #14 x 1" panhead sheet metal screws (D). Tighten them into place using a phillips head screwdriver.

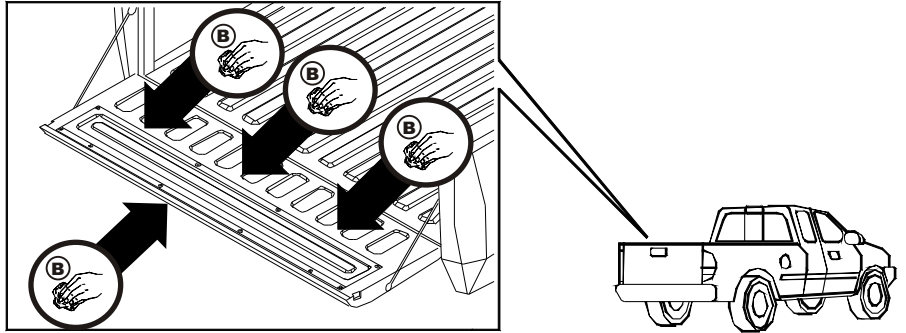


## 4a

**Note:** Test fit the full tailgate protector (A) to the vehicle tailgate to obtain proper placement and fit. Due to the extreme adhesion of the tape, proper placement of the full tailgate protector (A) should be accomplished the first time before the full tailgate protector (A) is installed on the vehicle. Two people are recommended for this installation.

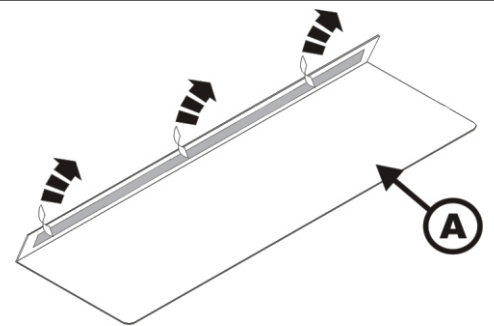
## 4b

Clean the vehicle tailgate using the enclosed alcohol pads (B).



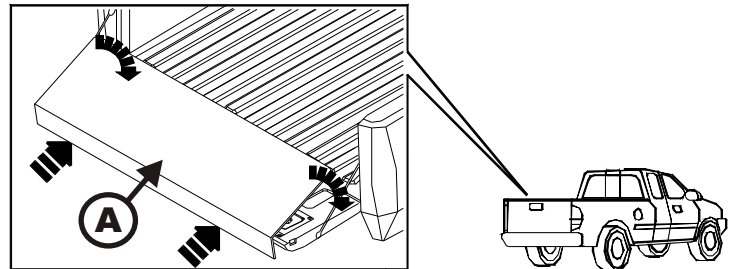
## 4c

Peel the backing off of the tape on the full tailgate protector (A) as shown.



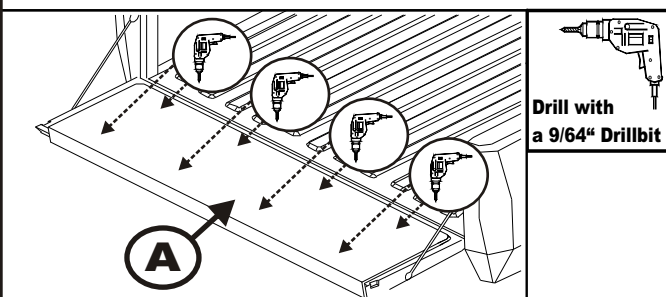
## 4d

Place the full tailgate protector (A) onto the vehicle tailgate and press firmly into place as shown.



## 4e

Push the full tailgate protector (A) firmly into place and then drill four evenly spaced 9/64" holes across the top and bottom of the full tailgate protector (A) as shown.



## 4f

Secure the full tailgate protector (A) to the vehicle tailgate using the #8 x 3/4" panhead sheet metal screws (C) as shown below. Tighten into place using a phillips head screwdriver.

