



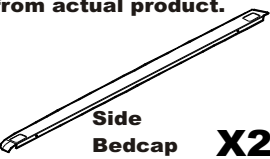
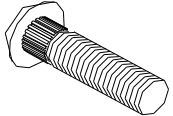


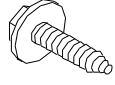


Dee Zee Side Bed Cap Installation Instruction

Congratulations on your purchase of a quality Dee Zee product. Dee Zee is recognized as having the highest quality truck accessories on the market today. We have earned this reputation by offering our customers a product they can be proud to place on their vehicle. Dee Zee meets all the criteria of manufacturing a custom-fit product which guarantees it to be the easiest product to install.

Instructions: Please take time to read all of the instructions carefully before beginning this installation.

Note: If holes are drilled into the body panel of your vehicle, Dee Zee recommends putting a sealant or rust inhibitor around all holes drilled into the body panel of your vehicle.

Cleaning Instructions for aluminum / plastic bedcaps: To maintain the finish of your Dee Zee bedcap, clean with a mild detergent.
Cleaning Instructions for stainless steel bedcaps: To maintain the finish of your Dee Zee stainless steel bedcap, Dee Zee recommends the application of a high quality automotive wax to achieve a longer shine and easier cleaning.

<p>A</p> <p>Note: Picture may vary from actual product.</p>  <p style="text-align: center;">Side Bedcap X2</p>	<p>B Optional: Some applications require 1/4 x 1" Ribneck Carriage Head Bolts</p>  <p>Note: Qty of 4 each - 6ft. & 7ft. Box P/U's Note: Qty of 6 each - 8ft. Box P/U's</p>	<p>C Optional: Some applications require 1/4" Flat Washers</p>  <p>Note: Qty of 4 each - 6ft. & 7ft. Box P/U's Note: Qty of 6 each - 8ft. Box P/U's</p>
<p>D Optional: Some applications require 1/4" Hex Nuts</p>  <p>Note: Qty of 4 each - 6ft. & 7ft. Box P/U's Note: Qty of 6 each - 8ft. Box P/U's</p>	<p>E Optional: Some applications require Sheet Metal Screws</p>  <p>Note: Quantity varies depending on the vehicle application.</p>	<p>F Optional: Some applications require Plastic Spacers</p>  <p>Note: Quantity varies depending on the vehicle application.</p>
<p>G Optional: Some applications require Alcohol Pads</p> 		

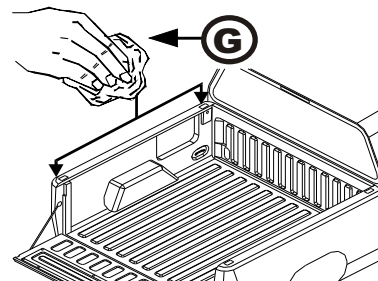
Note: See Step 1 for side bedcap applications which have tape applied to them.
Note: See Step 2 for side bedcap applications which have installation hardware (B / C / D).
Note: See Step 3 for side bedcap applications which have tape and installation hardware.

1a

Note: If the truck has a factory bedcap, then the Dee Zee bedcap is made to go over it. Test fit the side bedcap (A) to the vehicle bed rail to obtain proper placement and fit. Due to the extreme adhesion of the tape, proper placement of the side bed cap (A) should be accomplished the first time before the side bedcap (A) is installed on the vehicle. Two people are recommended for this installation.

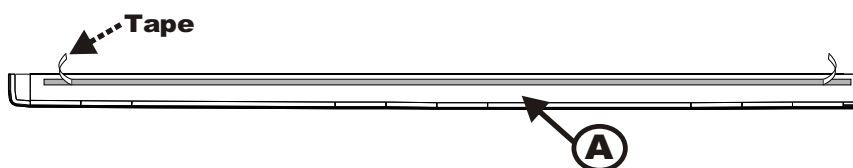
1b

Clean the top of the vehicle bed rail using the enclosed alcohol pads (G).



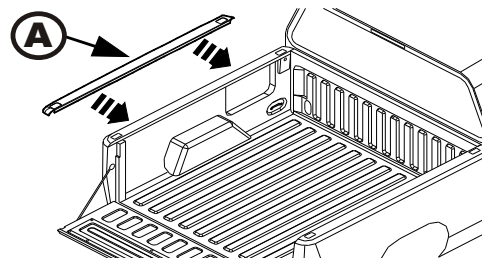
1c

Peel the backing off of the tape on the ends of the side bedcap (A) as shown.



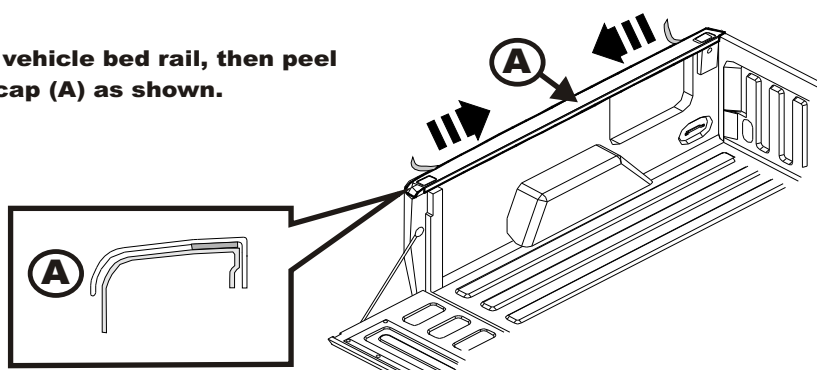
1d

Place the side bed cap (A) onto the vehicle bed rail as show below.

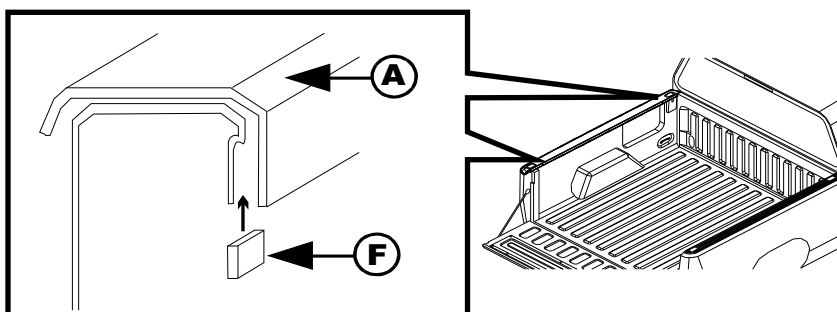


1e

Once the side bedcap (A) has been placed onto the vehicle bed rail, then peel the remaining tape off of the inside of the side bedcap (A) as shown.

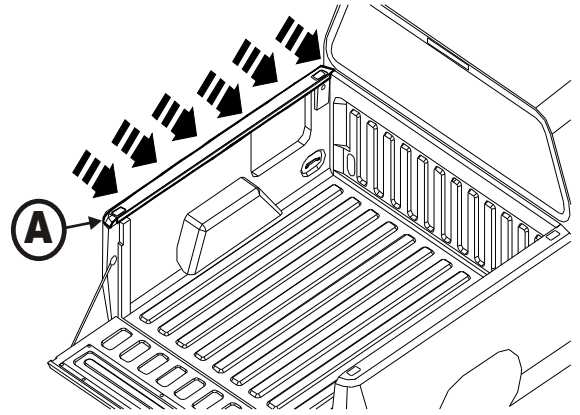


If plastic spacers (F) have been provided with your side bedcap, then place them at the front and rear of the vehicle bed rail between the inside edge of the side bedcap (A) and the vehicle bed rail as shown below.



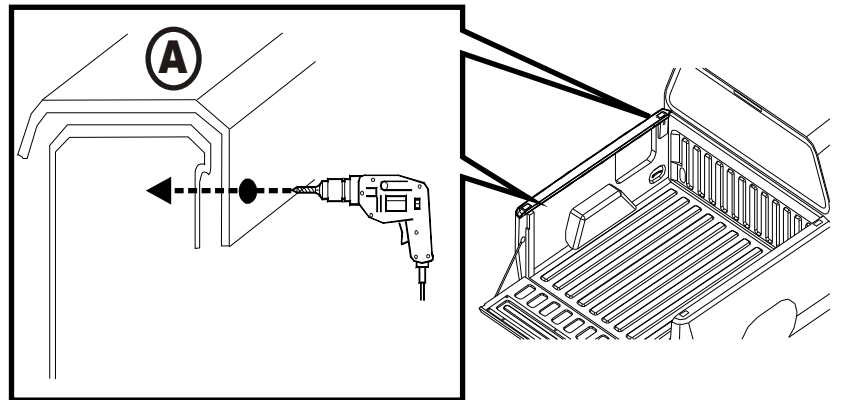
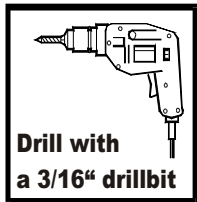
1f

Apply pressure to the side bedcap (A) as shown below to adhere the tape on the side bedcap (A) to the vehicle bed rail.



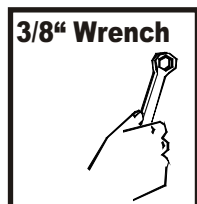
1g

Drill $3/16$ " holes through the inside edge of the side bedcap (A) and the vehicle bedrail. Note: On 6ft. / 7ft. Vehicle bedrails you will drill two $3/16$ " holes and on 8ft. Vehicle bedrails you will drill three $3/16$ " holes. On applications that require the use of plastic spacers (F), make sure to drill through the plastic spacer (F) also.

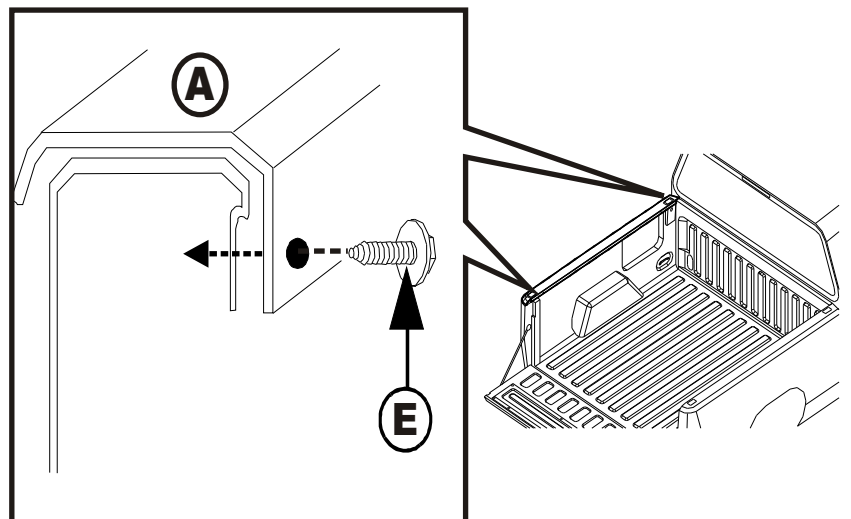
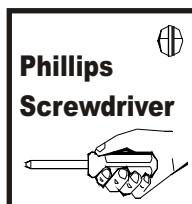


1h

Secure the side bedcap (A) to the vehicle bed rail using sheet metal screws (E) as shown below.



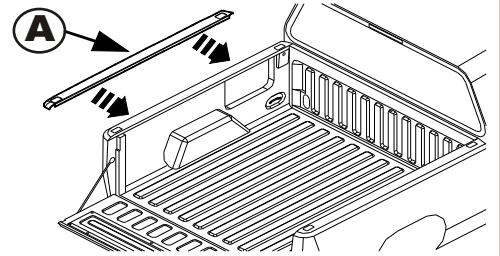
OR



2a

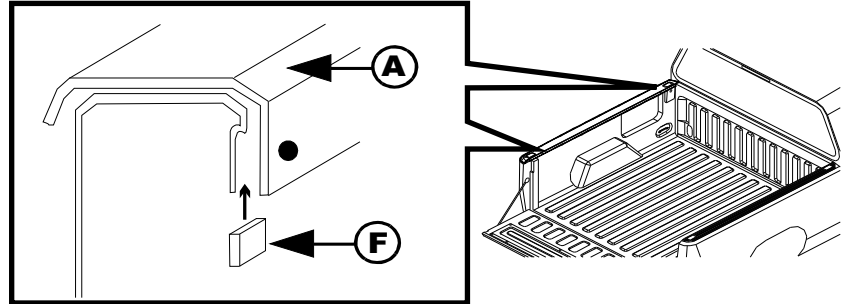
Note: If the truck has a factory bedcap, then the Dee Zee bedcap is made to go over it.

Place the side bed cap (A) onto the vehicle bed rail as show below.



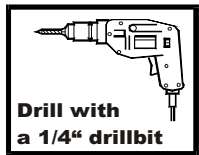
2b

If plastic spacers (F) have been provided with your side bedcap, then place them at the front and rear of the vehicle bed rail between the inside edge of the side bedcap (A) and the vehicle bed rail as shown below.

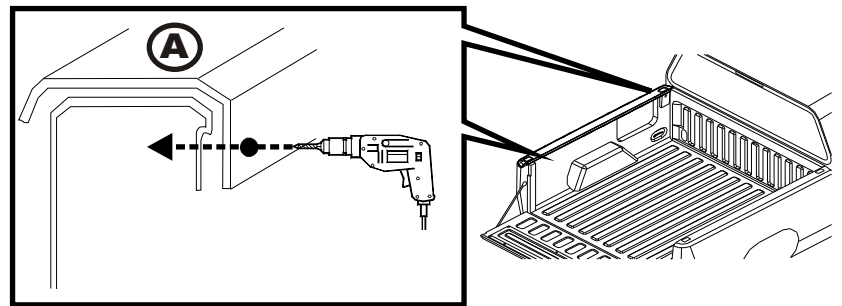


2c

Drill 1/4" holes through the inside edge of the side bedcap (A) and the vehicle bedrail. Note: On 6ft. / 7ft. Vehicle bedrails you will drill two 1/4" holes and on 8ft. Vehicle bedrails you will drill three 1/4" holes. On applications that require the use of plastic spacers (F), make sure to drill through the plastic spacer (F) also.

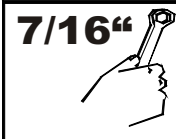
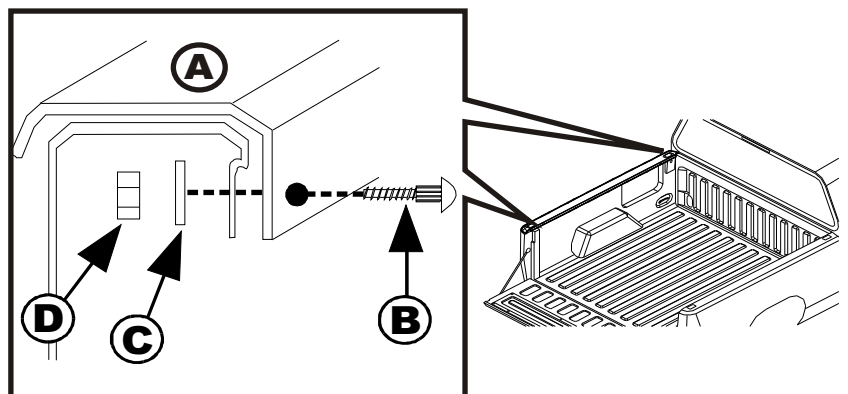


Drill with
a 1/4" drillbit



2d

Secure the side bedcap (A) to the vehicle bed rail using 1/4 x 1" ribneck carriage head bolts (B), 1/4" flat washers (C), and 1/4" hex nuts (D) at the mounting locations drilled in step 2c above.



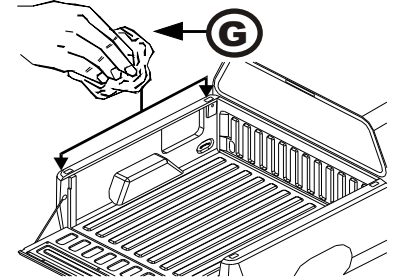
7/16"

3a

Note: If the truck has a factory bedcap, then the Dee Zee bedcap is made to go over it. Test fit the side bedcap (A) to the vehicle bed rail to obtain proper placement and fit. Due to the extreme adhesion of the tape, proper placement of the side bed cap (A) should be accomplished the first time before the side bedcap (A) is installed on the vehicle. Two people are recommended for this installation.

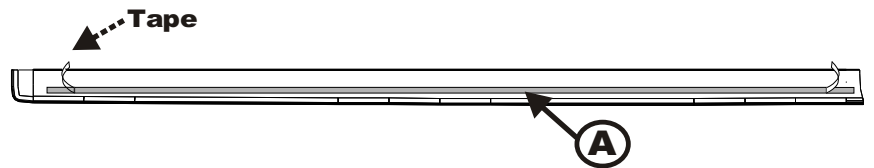
3b

Clean the top of the vehicle bed rail using the enclosed alcohol pads (G).



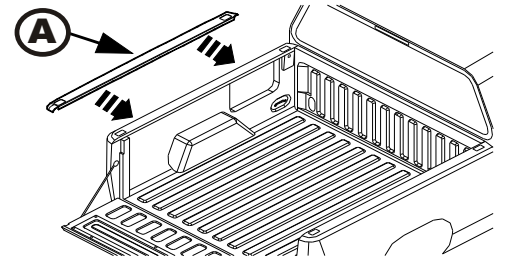
3c

Peel the backing off of the tape on the ends of the side bedcap (A) as shown.



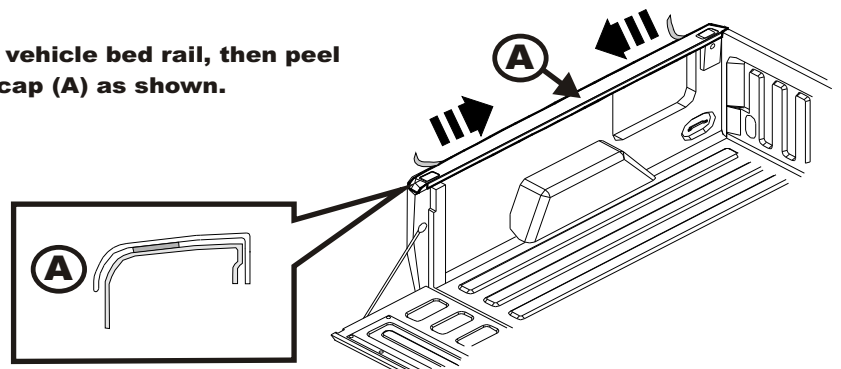
3d

Place the side bed cap (A) onto the vehicle bed rail as show below.



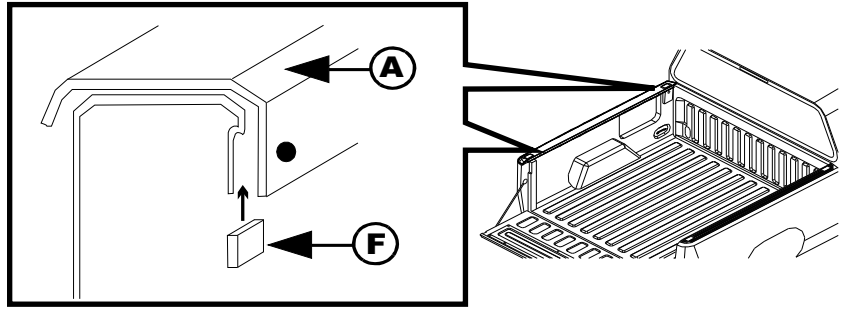
3e

Once the side bedcap (A) has been placed onto the vehicle bed rail, then peel the remaining tape off of the inside of the side bedcap (A) as shown.



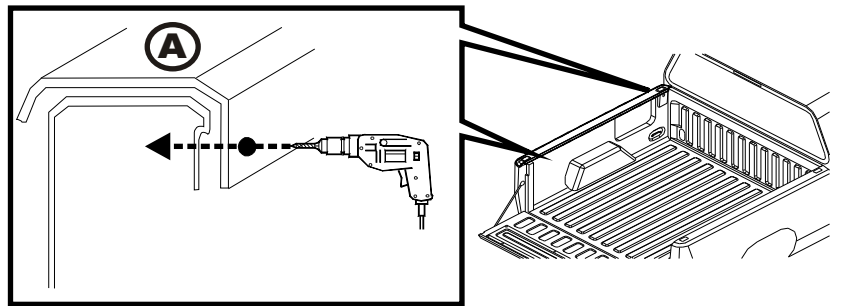
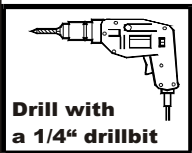
3f

If plastic spacers (F) have been provided with your side bedcap, then place them at the front and rear of the vehicle bed rail between the inside edge of the side bedcap (A) and the vehicle bed rail as shown below.



3g

Drill $1/4"$ holes through the inside edge of the side bedcap (A) and the vehicle bedrail. Note: On 6ft. / 7ft. Vehicle bedrails you will drill two $1/4"$ holes and on 8ft. Vehicle bedrails you will drill three $1/4"$ holes. On applications that require the use of plastic spacers (F), make sure to drill through the plastic spacer (F) also.



3h

Secure the side bedcap (A) to the vehicle bed rail using $1/4 \times 1"$ ribneck carriage head bolts (B), $1/4"$ flat washers (C), and $1/4"$ hex nuts (D) at the mounting locations drilled in step 2c above.

