

**Before returning this product
to the store of purchase**

Contact Dee Zee if you experience the following problems:

- Missing Parts
- Installation Problems/Questions
- Warranty Questions



Dee Zee Full Tailgate Protector

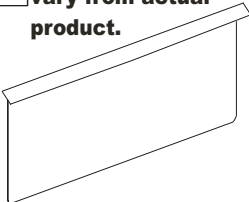




Plein Protecteur De Porte à rabattement arrière De Dee Zee

Congratulations on your purchase of a quality Dee Zee product. Dee Zee is recognized as having the highest quality truck accessories on the market today. We have earned this reputation by offering our customers a product they can be proud to place on their vehicle. Dee Zee meets all the criteria of manufacturing a custom-fit product which guarantees it to be the easiest product to install.

Instructions: Please take time to read all of the instructions carefully before beginning this installation.

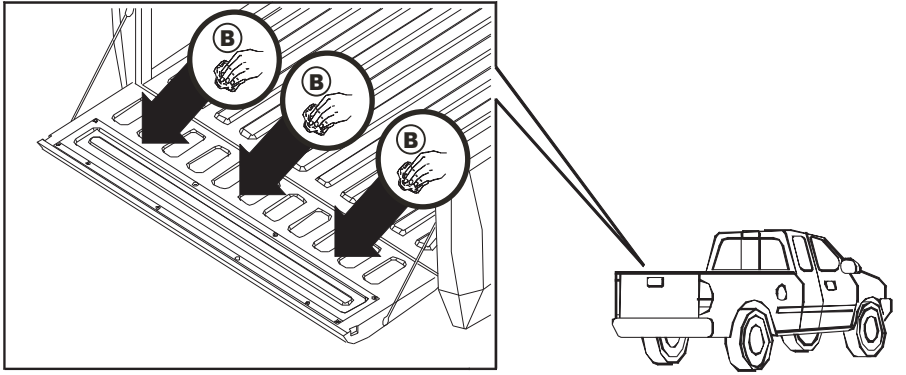
Note: If holes are drilled into the body panel of your vehicle, Dee Zee recommends putting a sealant or rust inhibitor around all holes drilled into the body panel of your vehicle.

Cleaning Instructions for aluminum full tailgate protectors: To maintain the finish of your Dee Zee full tailgate protector, clean with a mild detergent.

<p>A Note: Picture may vary from actual product.</p>  <p>Full Tailgate Protector X1</p>	<p>B Alcohol Pads. (Tape Applications Only)</p>  <p>X2</p>	<p>C 1/4" x 1" fender washer.</p>  <p>X2</p>	<p>D M6-1.0 X 30mm button cap screws.</p>  <p>X2</p>
<p>E 5/16" plastic washer</p>  <p>X8</p>			

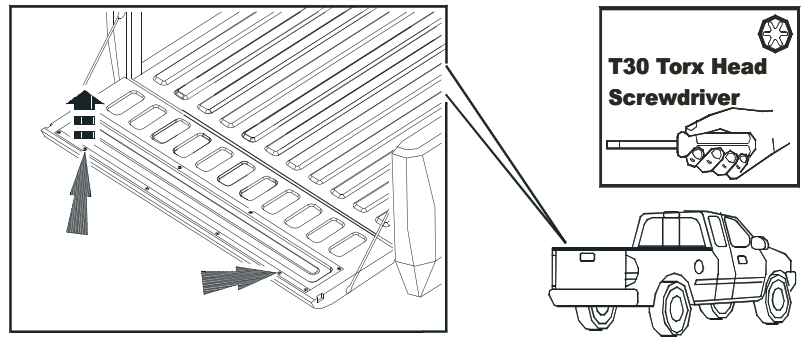
1a

Clean the vehicle tailgate using the enclosed alcohol pads (B).



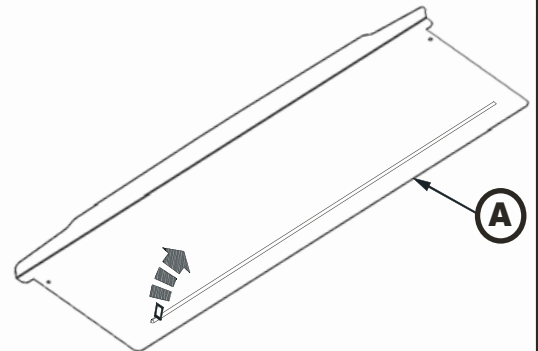
1b

Locate and remove the existing torx head screws located on the vehicle tailgate using a T30 torx head screwdriver as shown. Place four 5/16" plastic washers (E) over each of the holes where the torx head screws were removed.



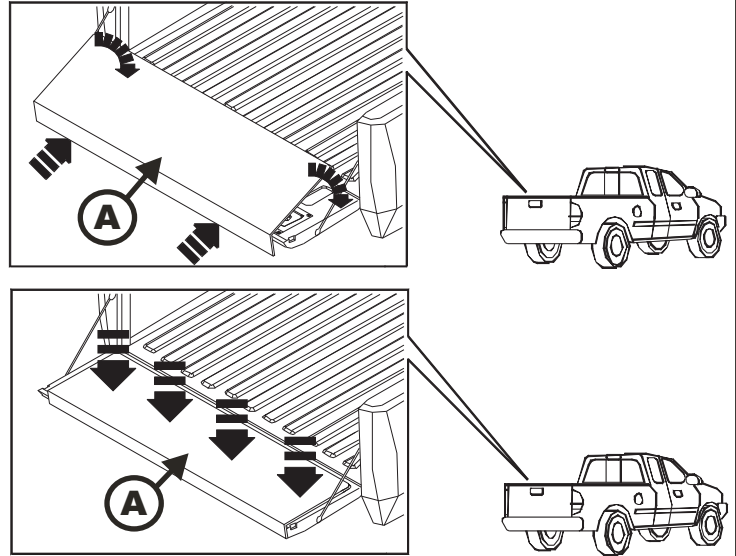
1c

Peel the paper backing off of the tape located on the bottom of the full tailgate protector (A) as shown in the drawing to the right.



1d

Place the full tailgate protector (A) onto the vehicle tailgate and press firmly into place as shown.



1e

Attach the full tailgate protector (A) to the vehicle tailgate using two M6 x 30mm button head cap screws (D) and two 1/4" fender washers (C). Make sure the M6 bolts go down through the 5/16" plastic washers (E) on the other side of the tailgate protector.

Allen Wrench

