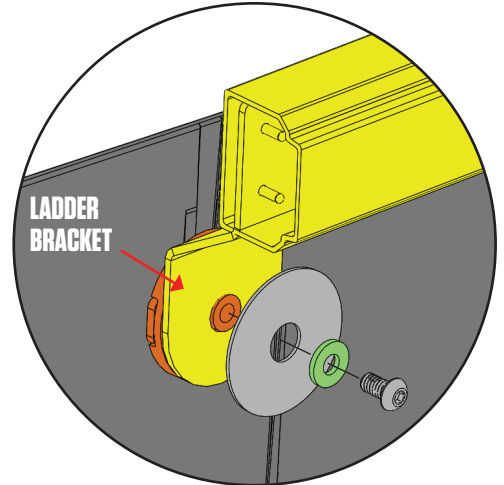
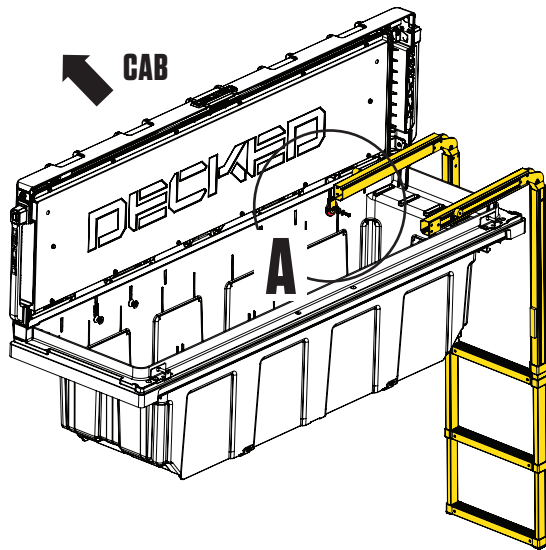




LADDER INSTALLATION

TOOLS NEEDED:

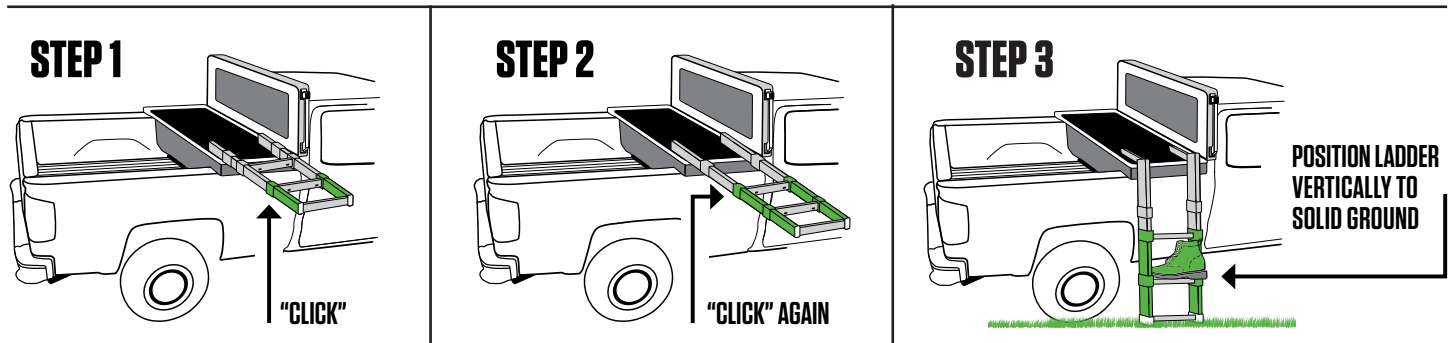
• 5/32" hex wrench



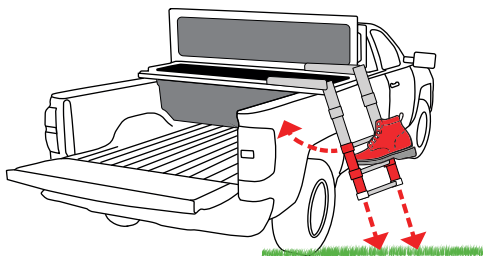
DETAIL A

- Rest the folded ladder on a table or hard surface so that you can read the instructions on the bottom of the first rung.
- While holding the top rung, pull the bottom rung from the ladder assembly until both the bottom and middle rungs lock in place.
- Set the ladder on the ground vertically next to the passenger side of your Tool Box.
- Raise both arms and extend them up and over the edge of the Tool Box to meet with the mounting discs. **NOTE: The ladder brackets must be facing down.**
- Using a 5/32" hex wrench, install the hardware in the order shown, DETAIL A. Repeat on opposite side. Tighten until snug - **DO NOT OVERTIGHTEN.**
- Return the ladder to the Tool Box by collapsing the rungs and folding back into place.

USING THE LADDER:



▼ WARNING DON'T DO THIS ▼



PLACE LADDER ON SOLID GROUND WITH BOTH RUNGS LOCKED INTO PLACE (LADDER STEPS 1-3). FAILURE TO DO THIS COULD ALLOW LADDER TO SWING INTO TRUCK AND CAUSE DAMAGE TO THE VEHICLE