



**Installation Instructions:
MT5 / MT7**

**TOYOTA TACOMA
5'1" BED LENGTH**

MT5 2005-2018 / MT7 2019-CURRENT

TOOLS REQUIRED

- Adjustable wrench (that opens to about 1")
- 1/2" open end wrench
- #2 Phillips screwdriver,
- Short 7/32" hex wrench
- 7/16" deep socket
- 3/8" socket
- Electric drill
- 9/64" drill bit
- 1/4" drill bit
- 5/16" drill bit
- Drill stop
- T40 Torx Driver

CONTENTS

DECKED carton

- LEFT deck half - 1
- RIGHT deck half - 1
- Center vert - 1
- Cabside vert - 1
- Drawer - 2
- Left ammo can - 1
- Right ammo can - 1
- Left stud - 1
- Right stud - 1
- Ammo can lid - 2
- C-channel - 2
- Ruler - 1
- Hardware box - 1
- Bottle opener - 1
- Torsion brace - 1

Hardware box - unbagged components

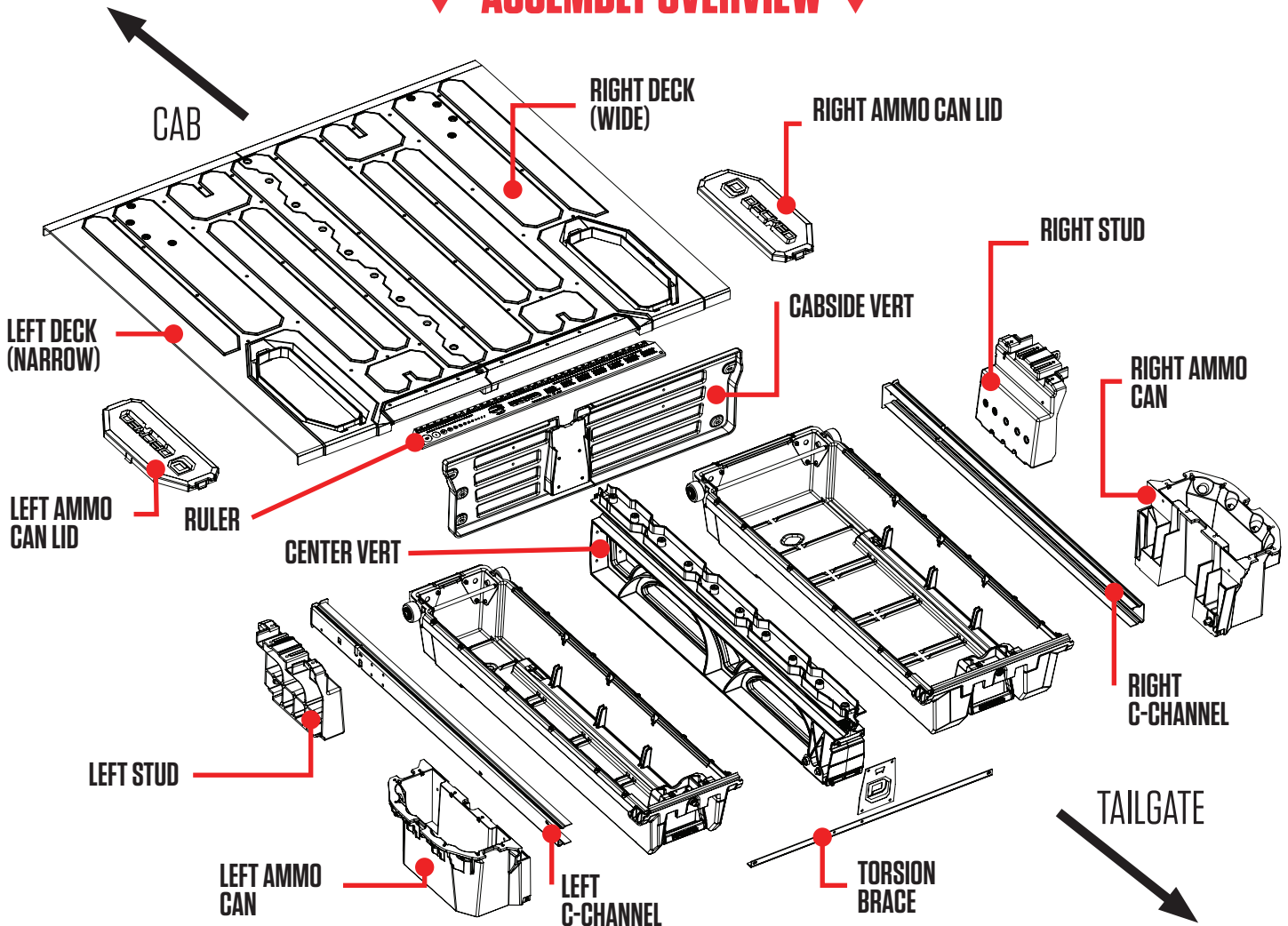
(inside DECKED carton):



HARDWARE box - bagged components

- PREP-MT5 or MT7 - 1
- S1 - 1
- S2 - 1
- N1 - 1
- J4 - 2
- DRAWER 1 - 1
- DRAWER 2 - 1
- WHEELS - 1
- FINAL MID - 1
- PREP-EXTRA - 1
- MS WASHERS - 1
- (MT7 ONLY) TACOMA TD - 1

ASSEMBLY OVERVIEW



▼ HEY! TORQUE BOY: READ BEFORE YOU INSTALL DECKED ▼

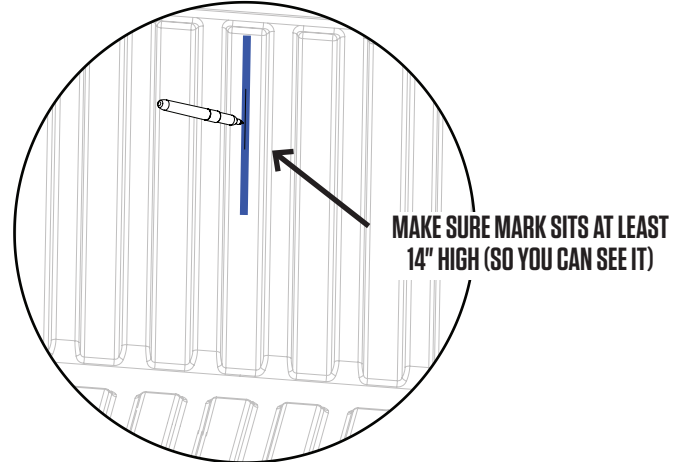
1. **DON'T** be an idiot read the instructions.
2. **DON'T** over tighten bolts, get em' hand-tight.
3. **DON'T** use power tools.
4. If you don't follow directions and *do* use power tools:
 - 1). Set clutch at a very low setting.
 - 2). If you blow it, see NOTE.*
5. Start all bolts with fingers to avoid cross-threading
6. **DON'T** over tighten J-hooks during installation. Make 'em good and snug enough to keep the system from moving in the bed.
7. Nice job if you're still reading.

NOTE* Two extra threaded inserts are included in **BAG PREP-EXTRA**. That's all you get. The inserts will replace any stripped inserts in the tailgate ammo cans, but **NOT THE CENTER VERT**, so hand tighten until snug only! You can also screw the inserts back in if dislocated. There is a straight screwdriver slot on the underside of the insert.

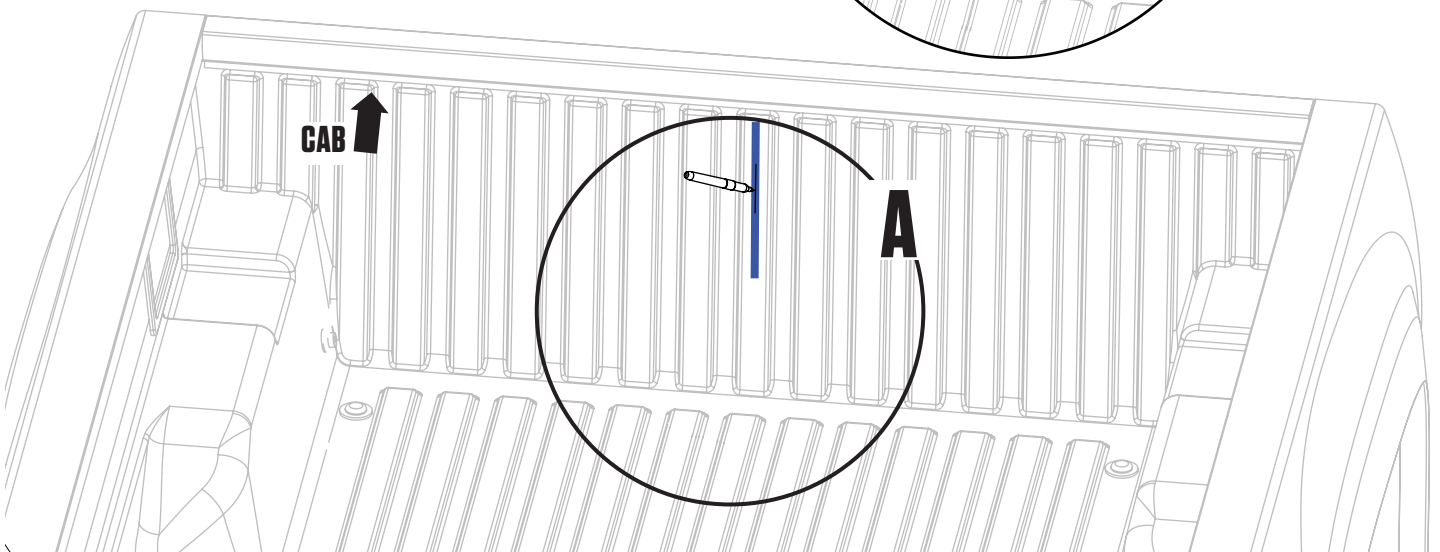
Prevent abusive, expletive-filled language, watch our detailed installation video or give us a call. We're happy to help!

PREP BED: MARK CENTER OF BED

- Use a marking pen or wax pencil to mark the center of the bed (blue) on the raised bead.



DETAIL A

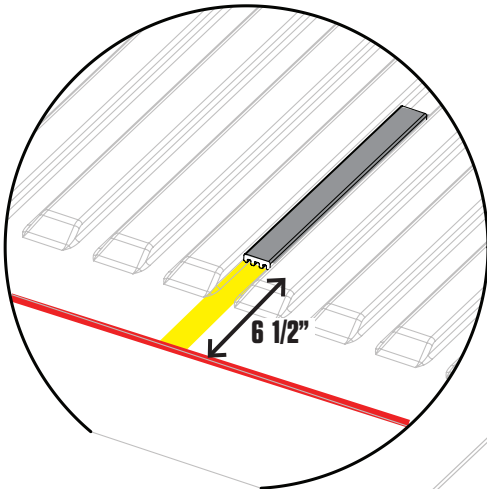


PREP BED: SHIMS

- **2 SMALL** shims and **2 LARGE** shims (with holes) are loose in your hardware kit.
- Using the information below:
 - 1) Clean the bed surface where the shims will be located. Isopropyl alcohol (do not drink) is recommended.
 - 2) Remove tape film and apply shim with the strength of 1000 men a.k.a push really hard.

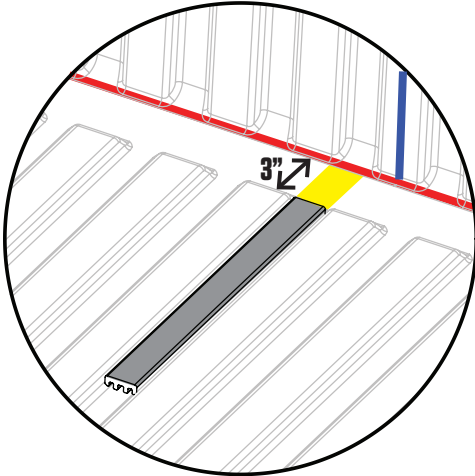
DETAIL B

Align shim to channel in floor shown. Place shim 6 1/2" from rear of bed (red).

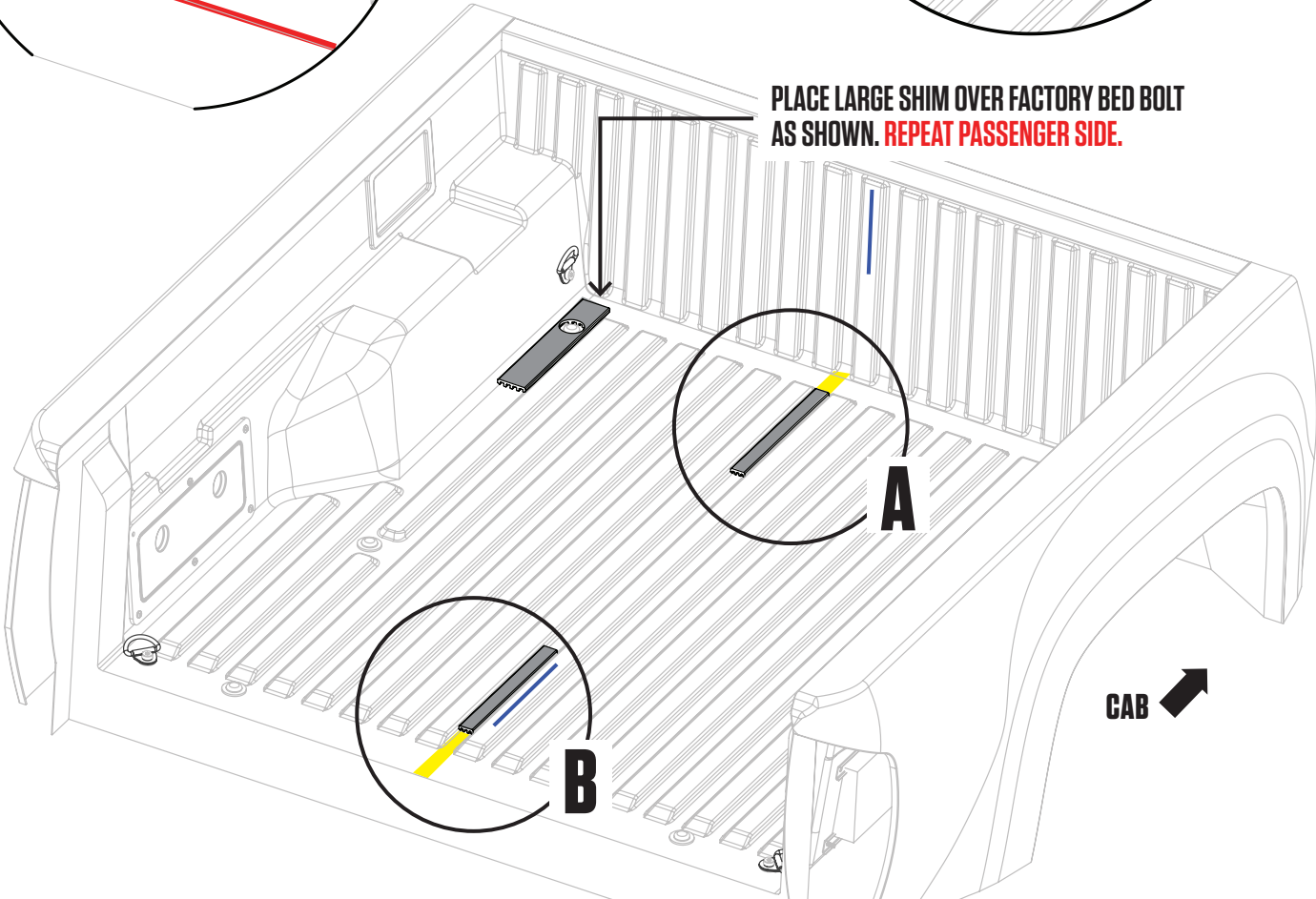


DETAIL A

Align shim to channel in floor shown 3" from cabside panel of bed (red).



PLACE LARGE SHIM OVER FACTORY BED BOLT AS SHOWN. REPEAT PASSENGER SIDE.

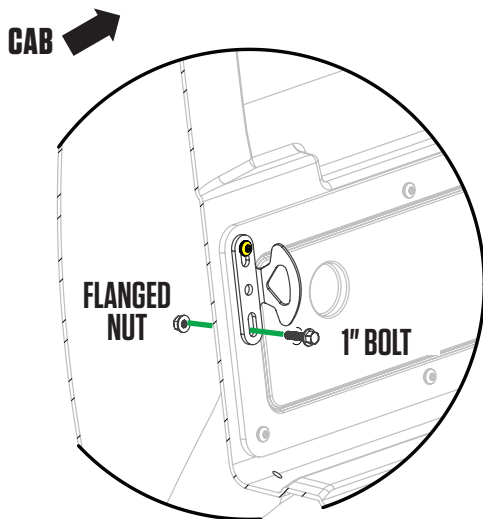


PREP BED: TAILGATE BRACKET

NOTE: You will need to grab a pal for this step (or have incredibly long and flexible arms).

- Remove top rear factory compartment bolt from the passenger side with a T40 Torx Driver. Keep bolt.
- Loosely attach passanger side tailgate bracket with factory bolt in top hole. Make sure the tie down opening is angled toward the driver, not the tailgate; **BAG PREP-MT5 or MT7.**
- Align bracket so it's parallel with vertical edge of compartment. Tighten factory bolt at last!
- Using the bottom hole in bracket as a guide, drill a 5/16" hole with a 1/2" drill stop through compartment and bed wall.
- Install a 1" bolt through the bracket and bed wall. Install 1" washer and flanged nut and tighten securely; **BAG PREP-MT5 or MT7.**
- Repeat driver side unless you don't have a driver's side cubby. If not, follow the instructions for driver's side on next page. **NOTE: On passenger side ONLY, you will need to add a washer; BAG PREP-MT5 or MT7...**
We know it's strange, trust us.

DRIVER SIDE



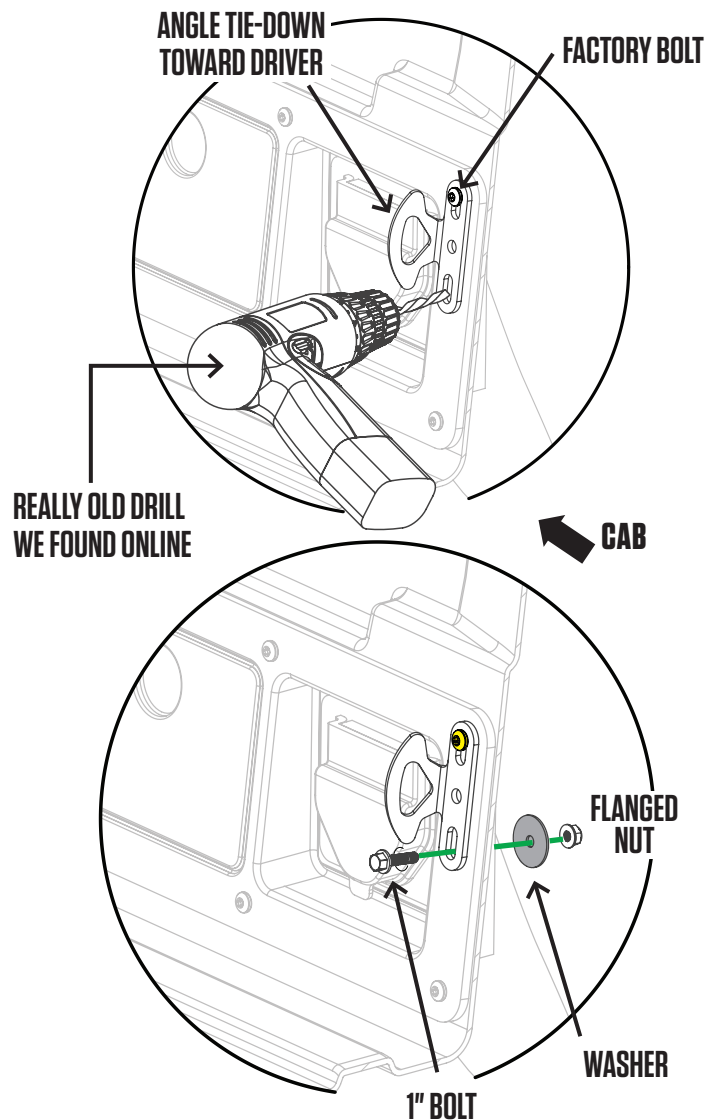
RECOMMENDED TORQUE:

Bolts in labeled bag PREP-MT5 or MT7 - 53 in-lb.

HELPFUL TIP: Feel free to remove doors of cubbies so you can still somewhat use them. Use will be compromised, but hey, life ain't always fair, right?!

HELPFUL TIP: The power outlet can still be used if you insert a flat head pigtail extension cord BEFORE you install the decks. Make sure to have the outlet capped to keep water out.

PASSENGER SIDE



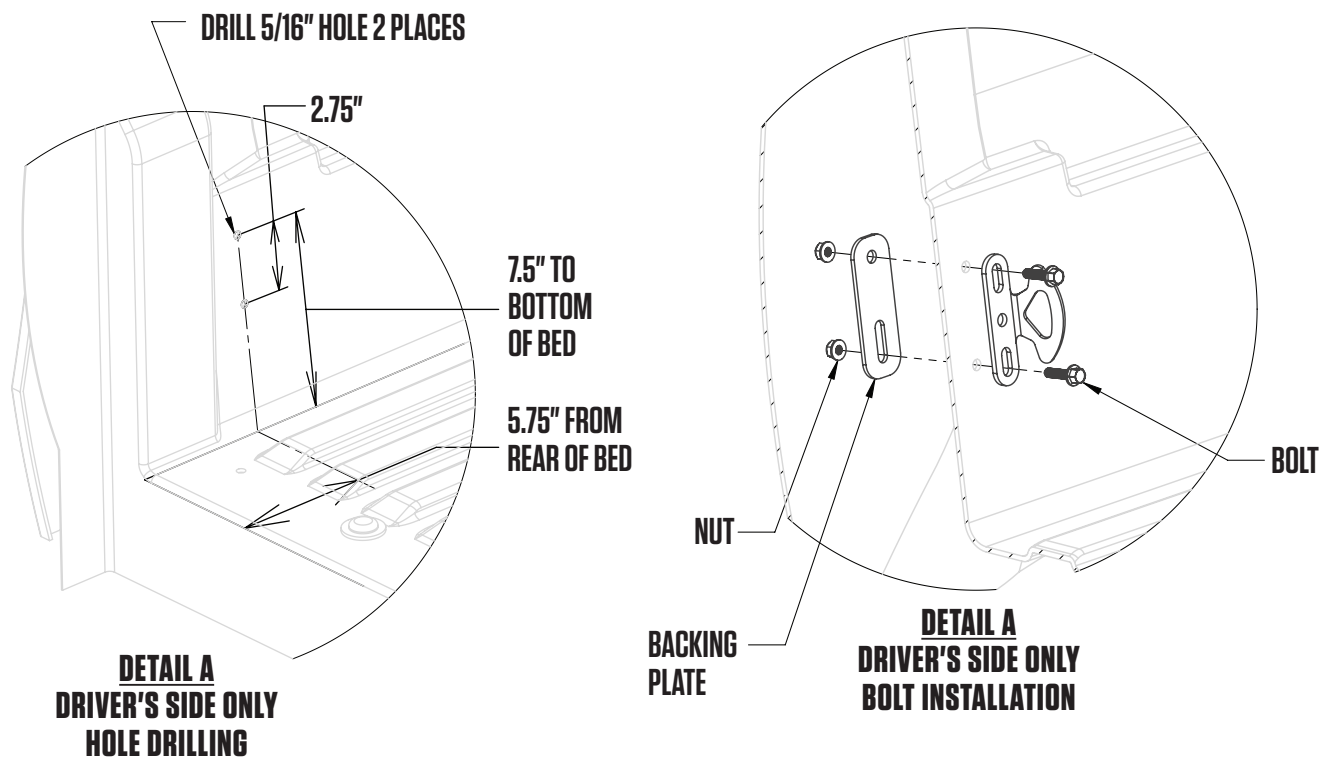
PREP BED: TAILGATE BRACKET

(FOR TACOMAS WITH NO DRIVER SIDE TAILGATE CUBBY)

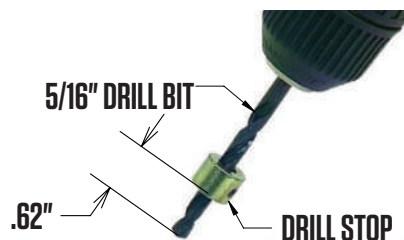
NOTE: Disregard this page if you **HAVE** a driver's side tailgate cubby.

- Referencing dimensional info in **DETAIL A** mark hole locations and drill (2) 5/16" holes (with drill stop set at .62").
- Referencing **DETAIL A** install J-hook mounting bracket as shown with bolts, backing plate and nuts.
Tighten bolts securely. BAG PREP-MT7, BAG TACOMA TD.

DETAIL A



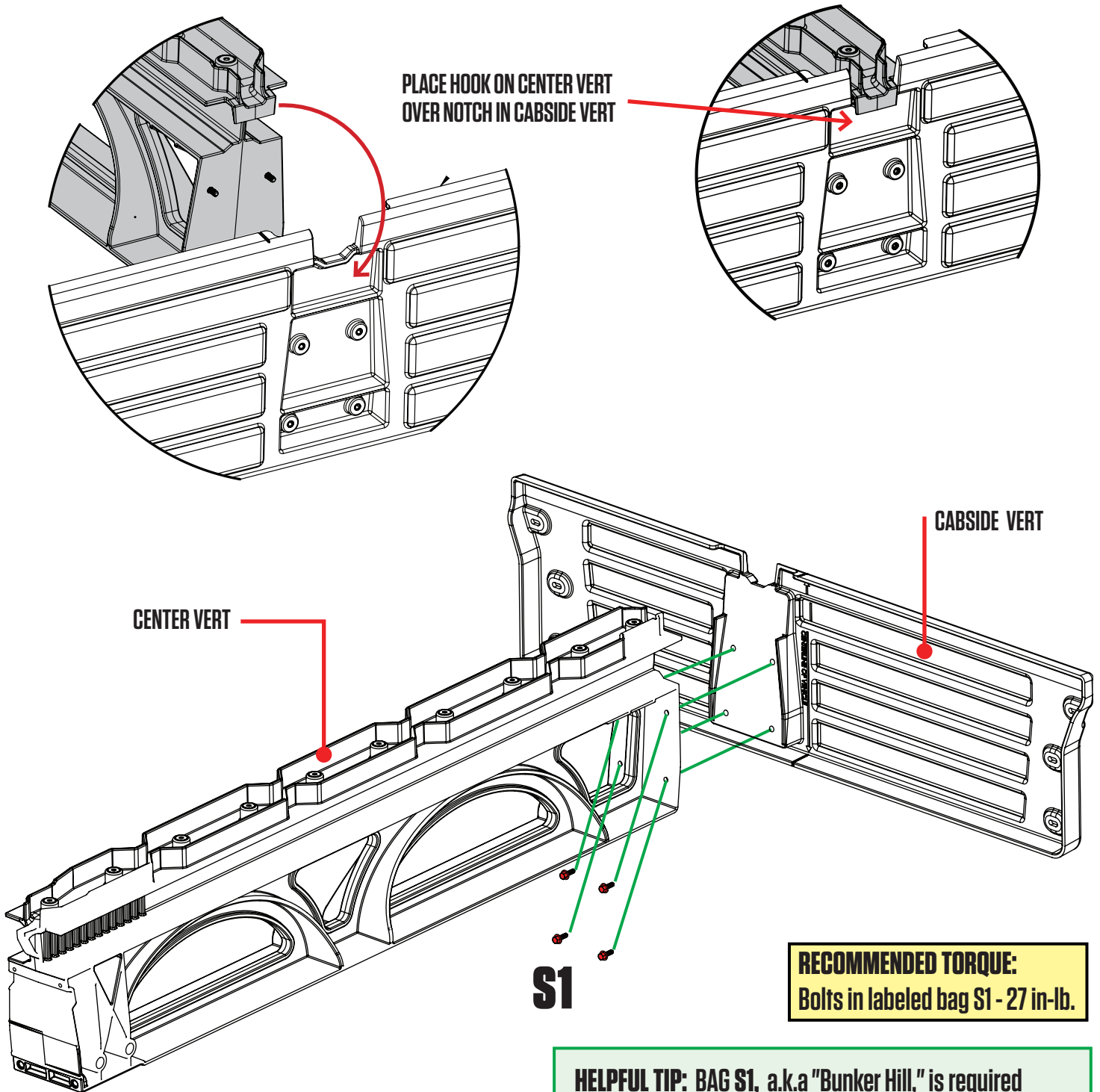
RECOMMENDED TORQUE:
Bolts in labeled bag PREP-MT7 - 53 in-lb.



ASSEMBLY: CENTER VERT + CABSIDE VERT

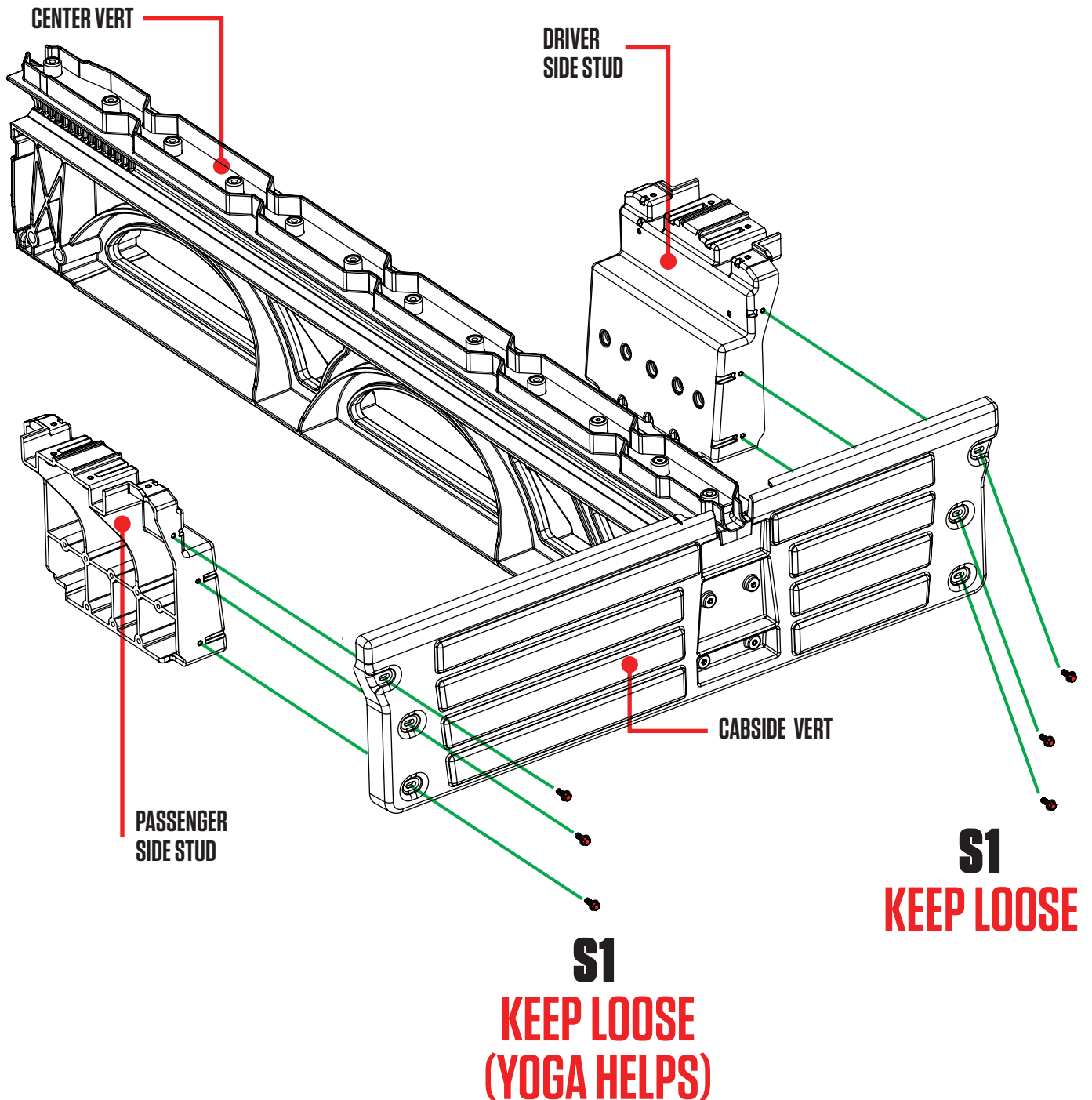
NOTE: Perform the next few steps on a flat surface like a garage floor.

- Attach center vert to cabside vert with four bolts. Alternate to tighten; BAG S1.



ASSEMBLY: LOOSELY ATTACH STUDS (YUP)

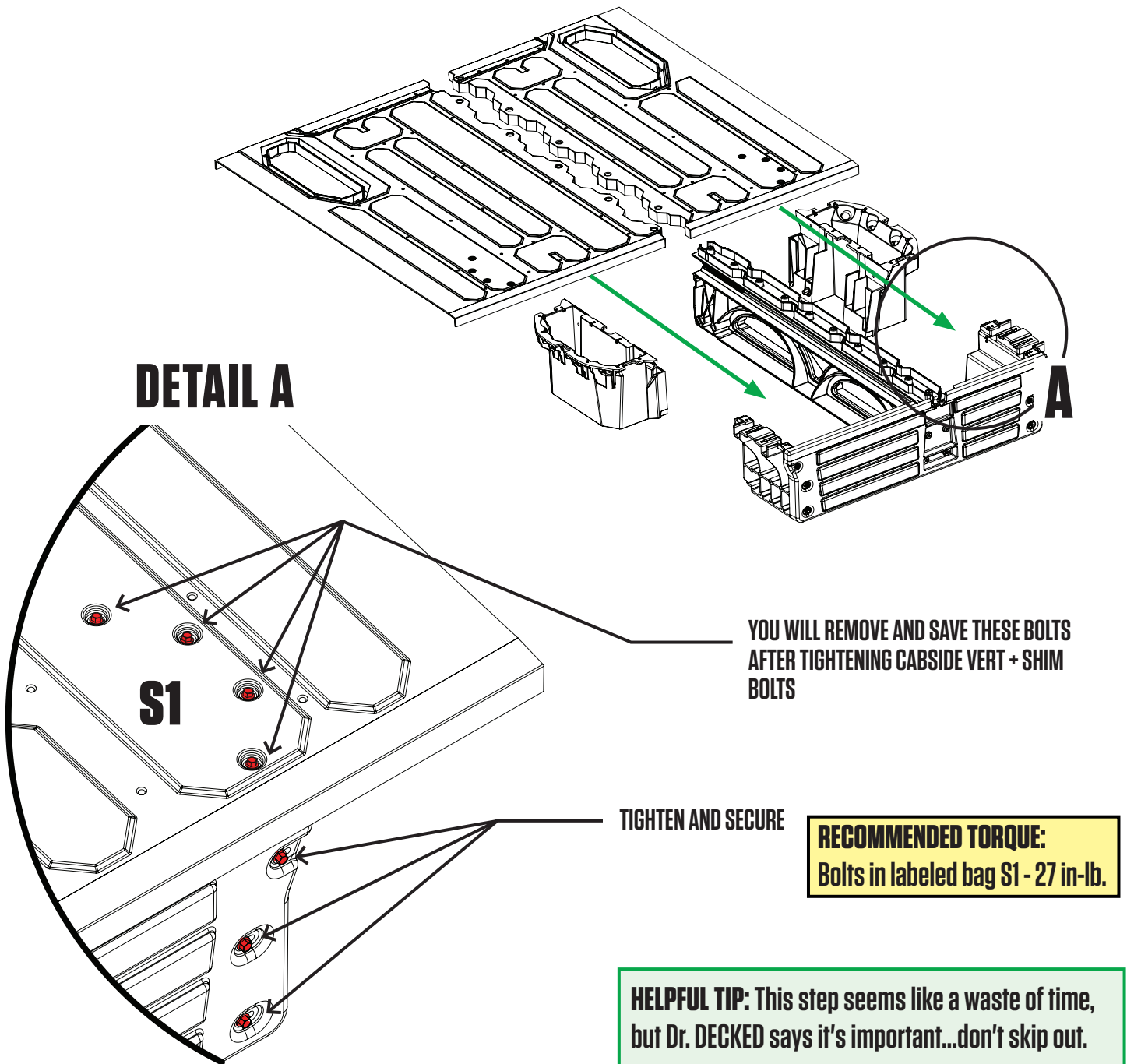
- **LOOSELY** attach studs to cabside vert with six bolts; **BAG S1**.



ASSEMBLY: ALIGN & TIGHTEN STUDS (YUP)

NOTE: This step ensures the studs are properly located before tightening bolts. It's important.

- Place ammo cans to support tailgate end of deck panels.
- Lift deck panels on center vert + stud + cabside vert assembly.
- Slide studs around L-R until deck panels are seated.
- **DETAIL A:** Loosely secure four bolts to hold decks onto studs; **BAG S1.**
- Now you can securely tighten the bolts that hold the studs to the cabside vert.
- Unbolt deck from studs, remove deck panels, save bolts, remove ammo cans and set aside for later assembly.



DETAIL A

S1

YOU WILL REMOVE AND SAVE THESE BOLTS
AFTER TIGHTENING CABSIDE VERT + SHIM
BOLTS

TIGHTEN AND SECURE

RECOMMENDED TORQUE:
Bolts in labeled bag S1 - 27 in-lb.

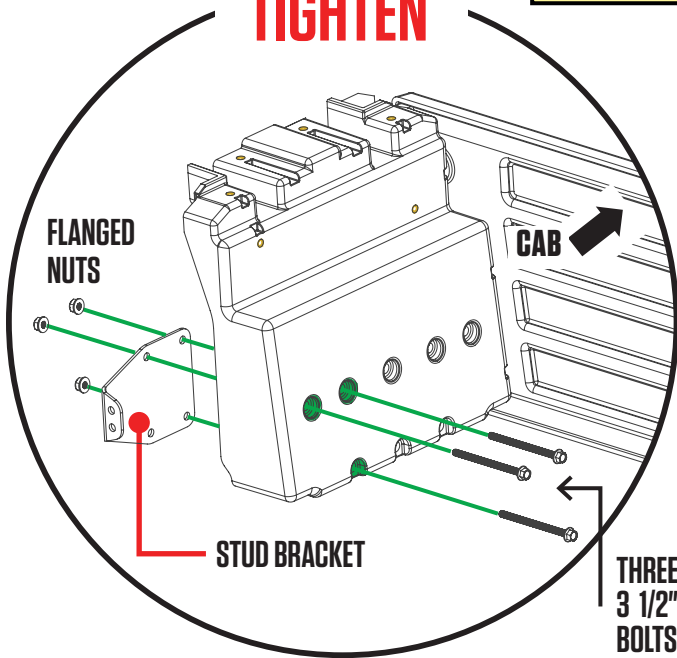
HELPFUL TIP: This step seems like a waste of time,
but Dr. DECKED says it's important...don't skip out.

ASSEMBLY: BRACKETS + MOUNTING

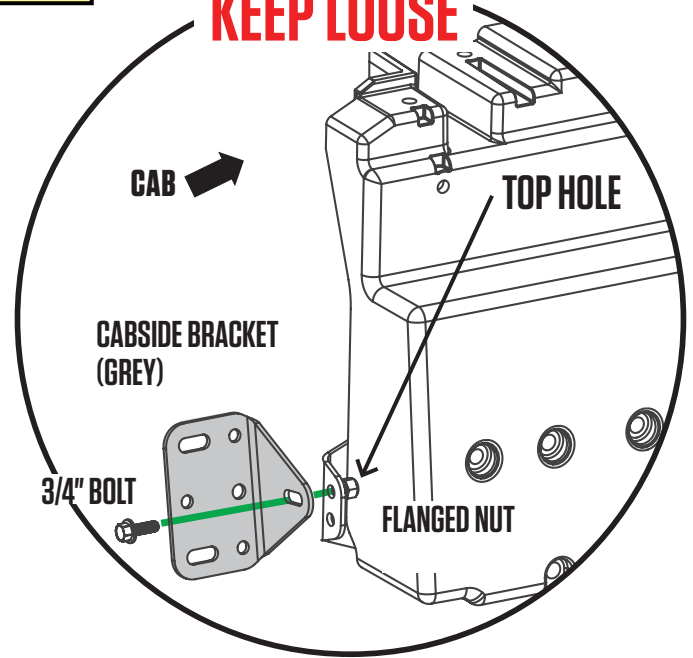
- **STEP 1:** Securely attach stud bracket to driver side stud using three 3 1/2" bolts and three flanged nuts; **BAG PREP-MT5** or **MT7**.
- **STEP 2:** Loosely attach cabside bracket to the top hole in stud bracket with 3/4" bolt and flanged nut; **BAG PREP-MT5** or **MT7**. **KEEP LOOSE.**
- Repeat STEP 1 and STEP 2 on passenger side.
- **STEP 3:** While supporting both ends, lift center vert + stud + cabside vert assembly in truck bed.

STEP 1 TIGHTEN

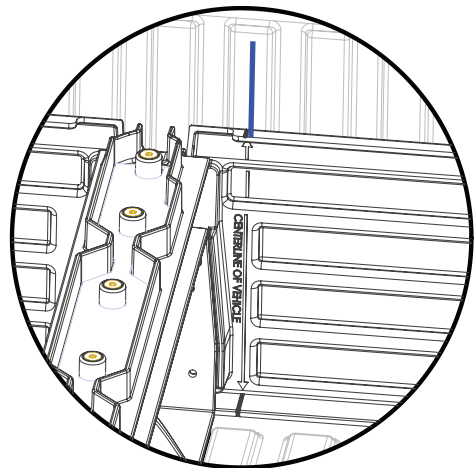
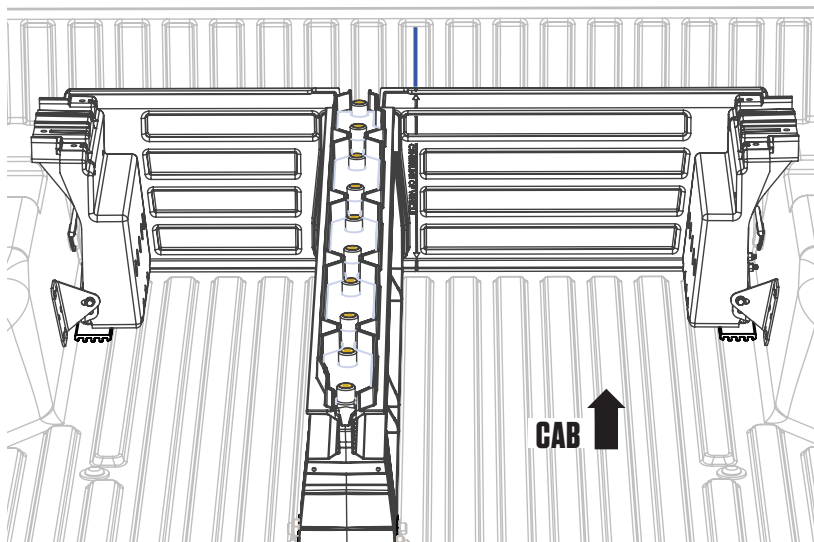
RECOMMENDED TORQUE:
For all fasteners - 27 in-lb.



STEP 2 KEEP LOOSE



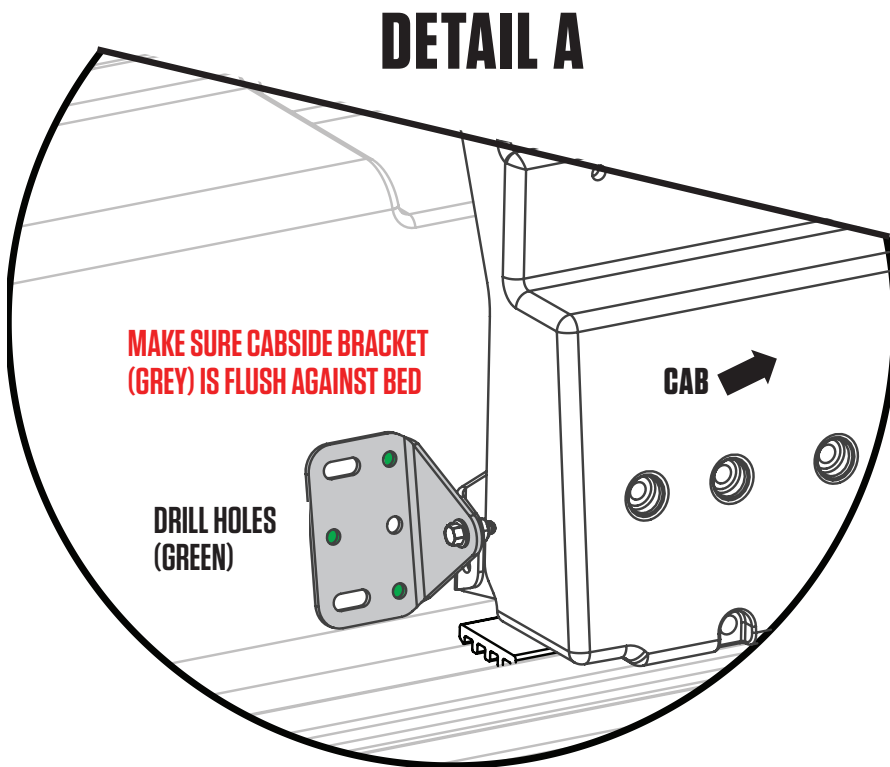
STEP 3



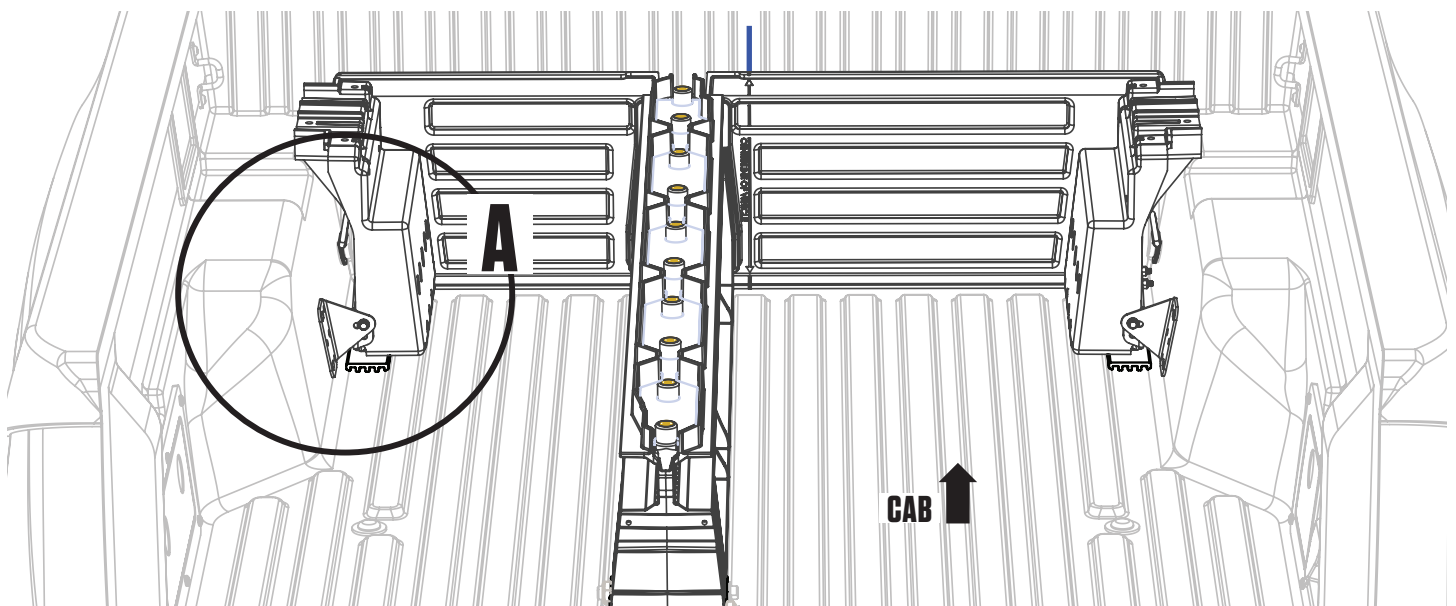
NOTE: Make sure centerline arrows on cabside vert are aligned with your centerline mark (blue).

INSTALL: CABSIDE BRACKET DRILL

- Place driver side cabside bracket flush against truck bed wall, now tighten securely to stud bracket.
- While keeping assembly on centerline, drill three 1/4" diameter holes into bed using cabside bracket as a guide (green holes). Make sure to use a drill stop set to 1/2" depth.
- Repeat passenger side.



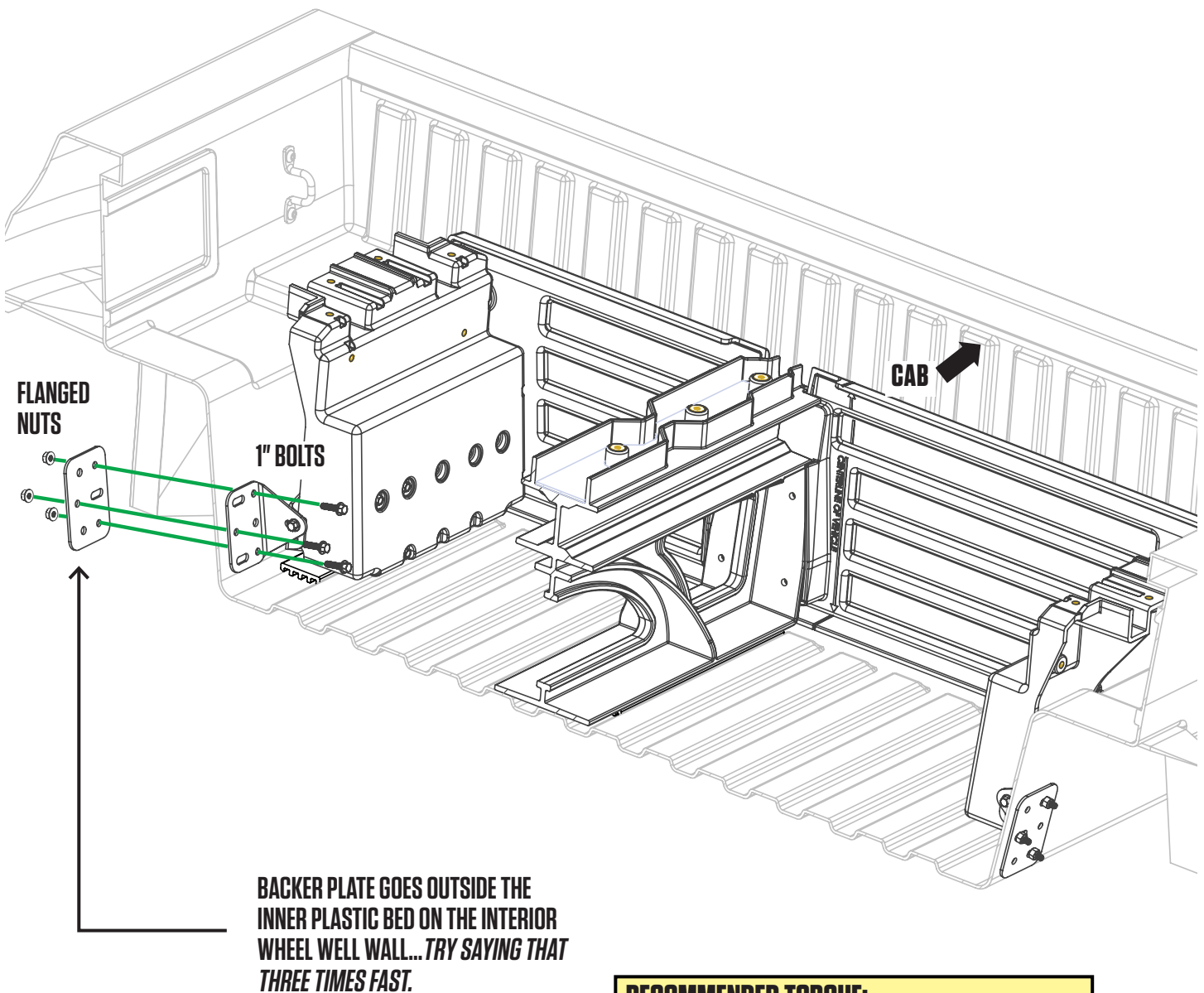
RECOMMENDED TORQUE:
53 in-lb.



INSTALL: BACKING PLATE

NOTE: If your pal left, clank some cans together to get them to come back.

- Install three 1" bolts through holes in cabside bracket and pickup bed; BAG PREP-MT5 or MT7.
- Play Rock Paper Scissors with your pal. The loser needs to hold the backing plate inside the wheel well and attach three flanged nuts; BAG PREP-MT5 or MT7. Securely tighten.
- Repeat passenger side.



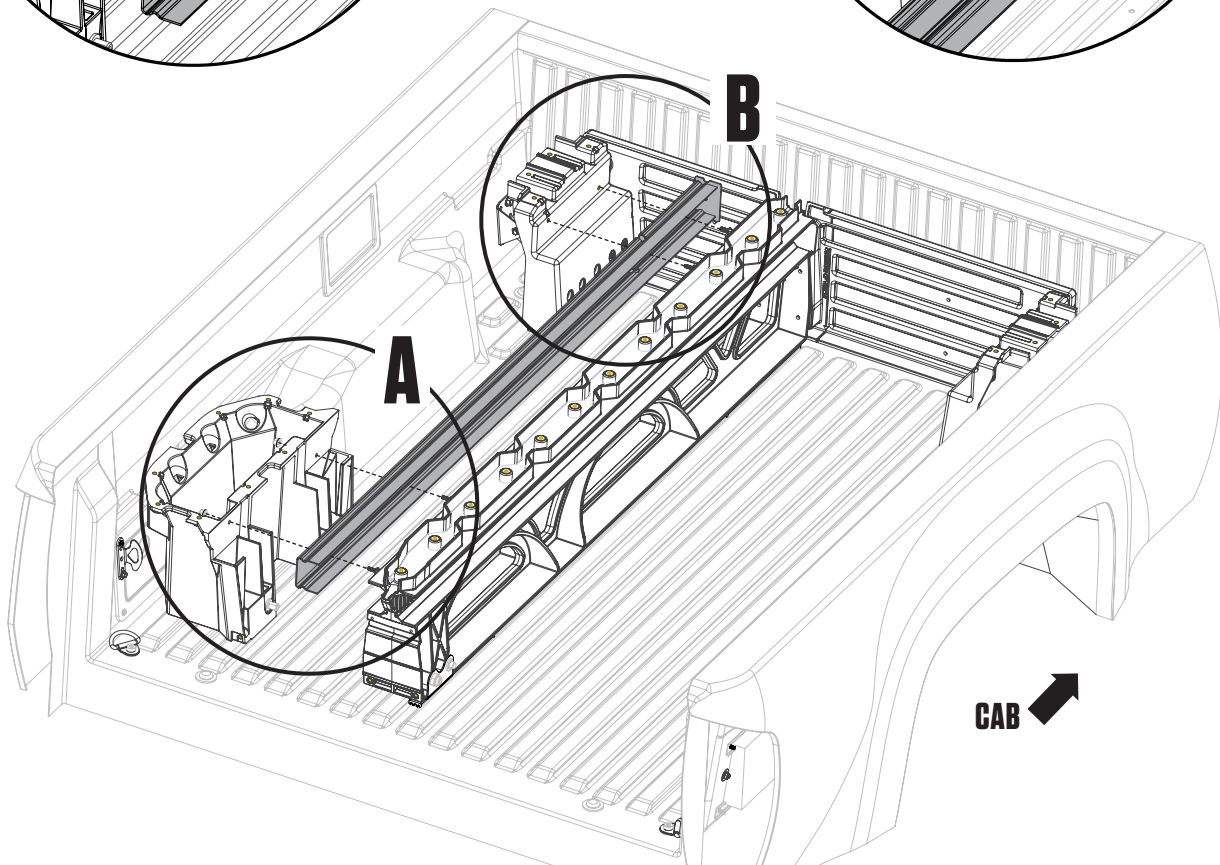
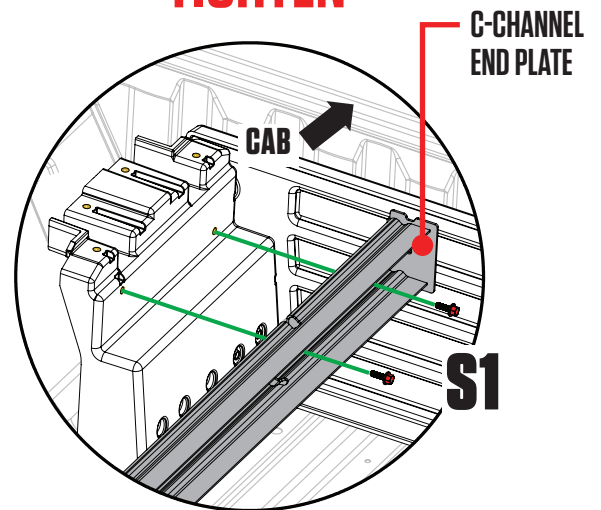
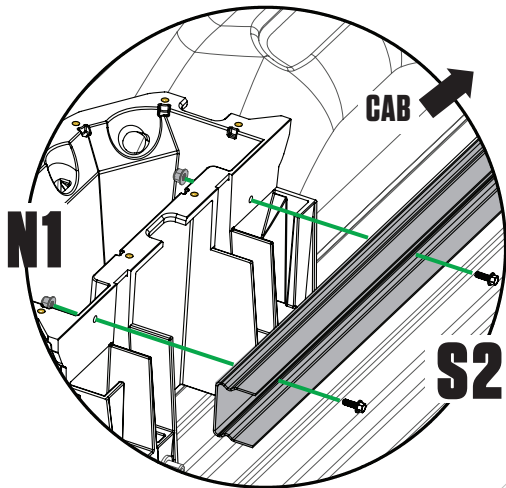
INSTALL: C-CHANNEL

- Loosely place driver side ammo can at tailgate corner of bed. **The axles should be on the tailgate side of the truck.**
- Place driver side C-channel on ledge of stud and ammo can with end plate cabside.
- **DETAIL A:** Insert two bolts through C-channel into ammo can and loosely fasten with nut; **BAG S2, BAG N1.**
- **DETAIL B:** Tightly attach C-channel to stud; **BAG S1.**
- Repeat passenger side.

DETAIL A KEEP LOOSE

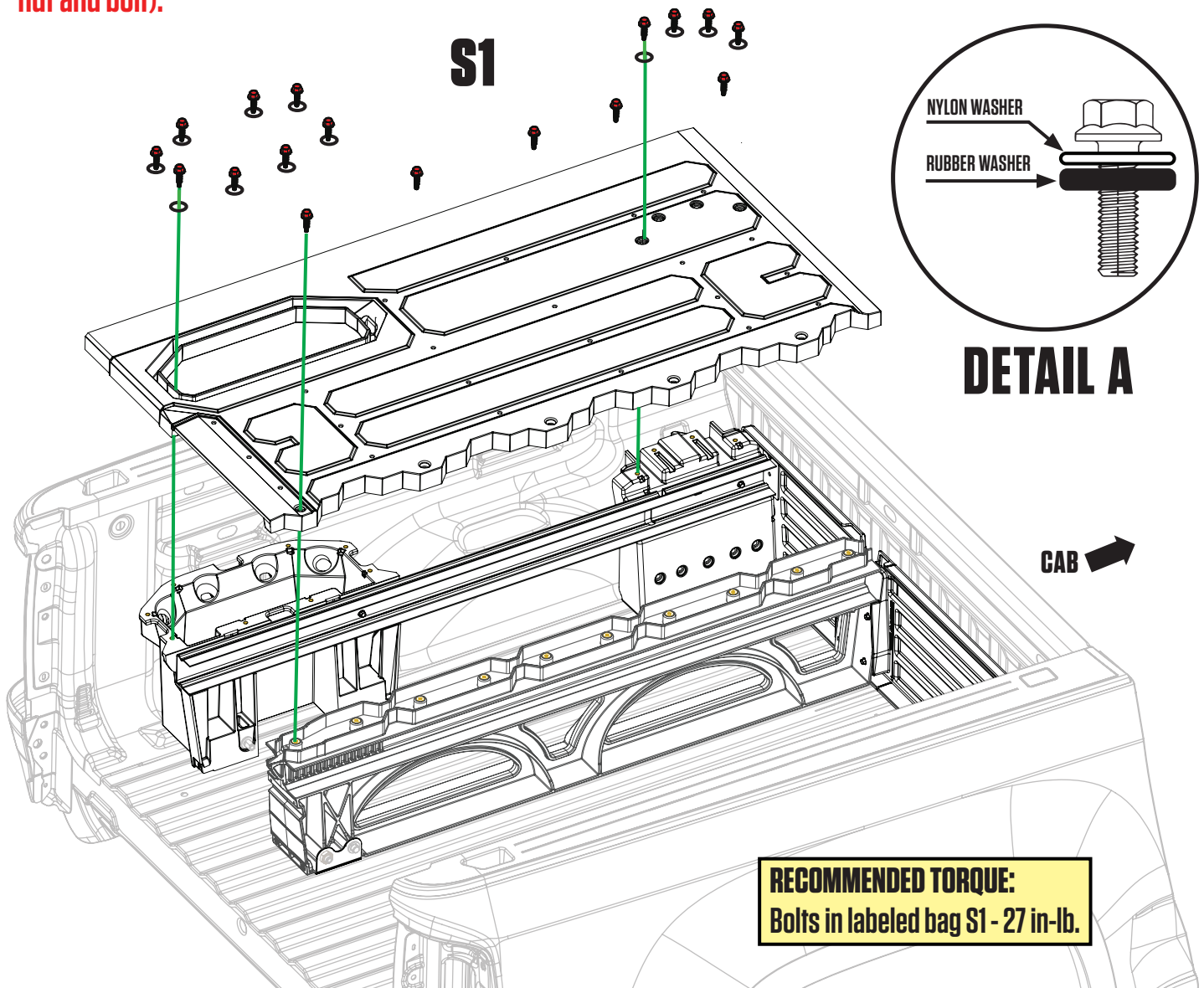
RECOMMENDED TORQUE:
Bolts in labeled bags S1, S2, N1 - 27 in-lb.

DETAIL B TIGHTEN



INSTALL: DECK HALVES

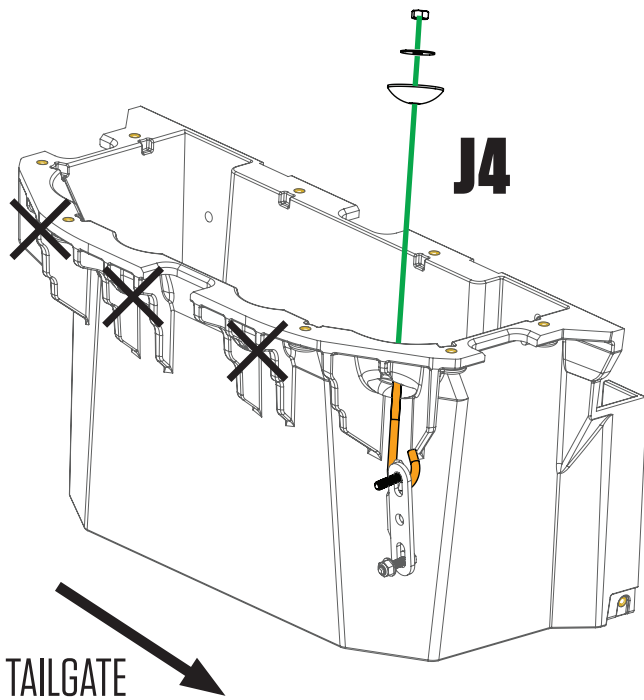
- Loosely place driver side deck panel on driver side stud, center vert and ammo can.
- Shift tailgate ammo can forward, rearward, L-R, as necessary to align with fully seated deck panel.
- Loosely assemble:
 - Five bolts (without washers) through deck panel into center vert; **BAG S1**.
 - Four bolts with nylon and rubber washers installed in order shown in **DETAIL A** through deck panel into stud; **BAG S1, BAG MS WASHERS**.
 - Eight bolts with nylon and rubber washers installed in order shown in **DETAIL A** through deck panel into tailgate ammo can; **BAG S1, BAG MS WASHERS**.
 - Tighten all **S1** bolts.
 - **Securely tighten driver side C-Channel/ammo can nut and bolt.**
- Repeat passenger side (**make sure you don't forget to securely tighten passenger side C-Channel/ammo can nut and bolt**).



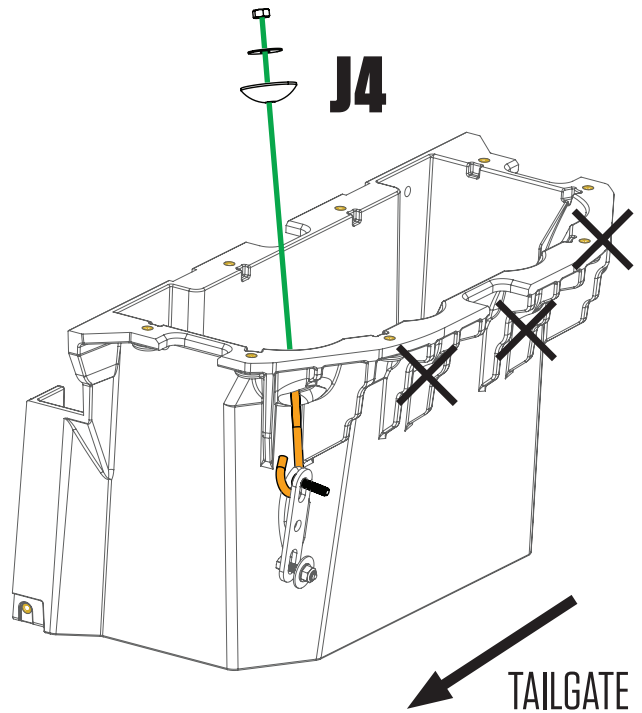
INSTALL: J-HOOKS

- **Loosely** assemble driver side J-hook assembly in order shown through tailgate side hole in ammo can; **BAG J4**.
- Repeat passenger side.

DRIVER SIDE AMMO CAN
KEEP LOOSE



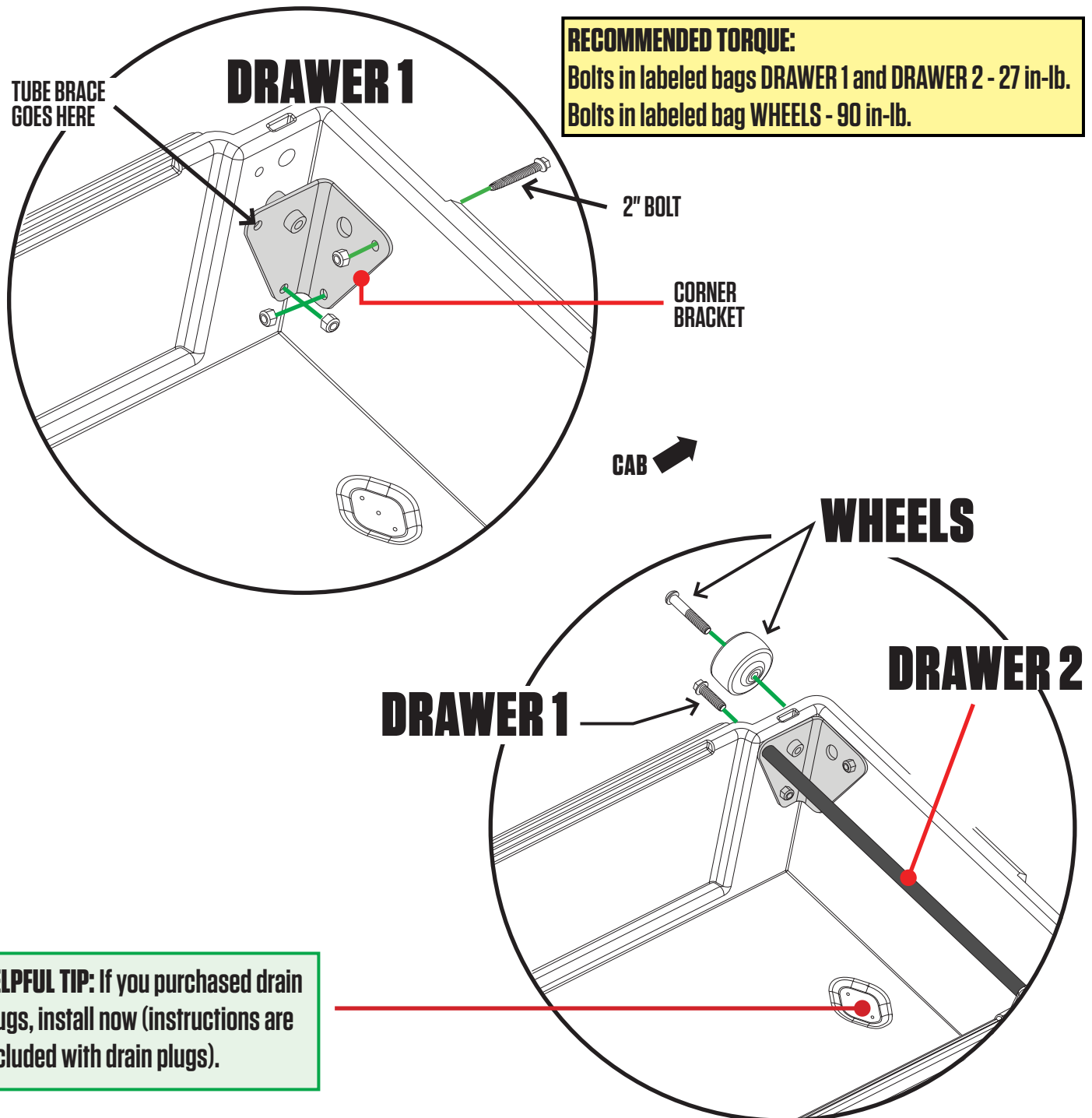
PASSENGER SIDE AMMO CAN
KEEP LOOSE



HELPFUL TIP: Make sure the hooks
open toward tailgate.

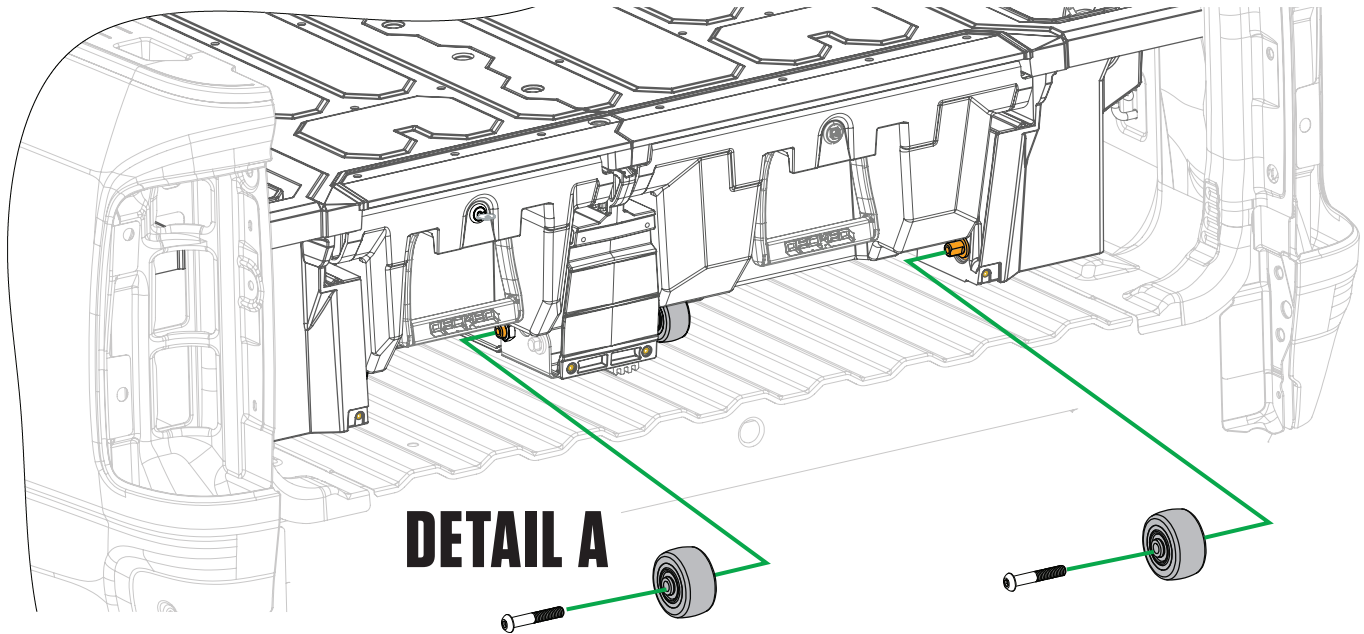
DRAWERS: BRACKETS + WHEELS

- Each drawer has a left and a right bracket. Bolt brackets into place via bottom two holes in bracket with 3/4" length bolts. Use the 2" length bolt for the upper cabside wall hole in bracket; **BAG DRAWER 1.**
- Install a tube brace in each drawer with two 3/4" length bolts; **BAG DRAWER 1, BAG DRAWER 2.**
- Attach wheels onto drawer brackets with a 7/32" hex wrench; **BAG WHEELS.**



DRAWERS: AXLE WHEELS + WEATHERSTRIPS

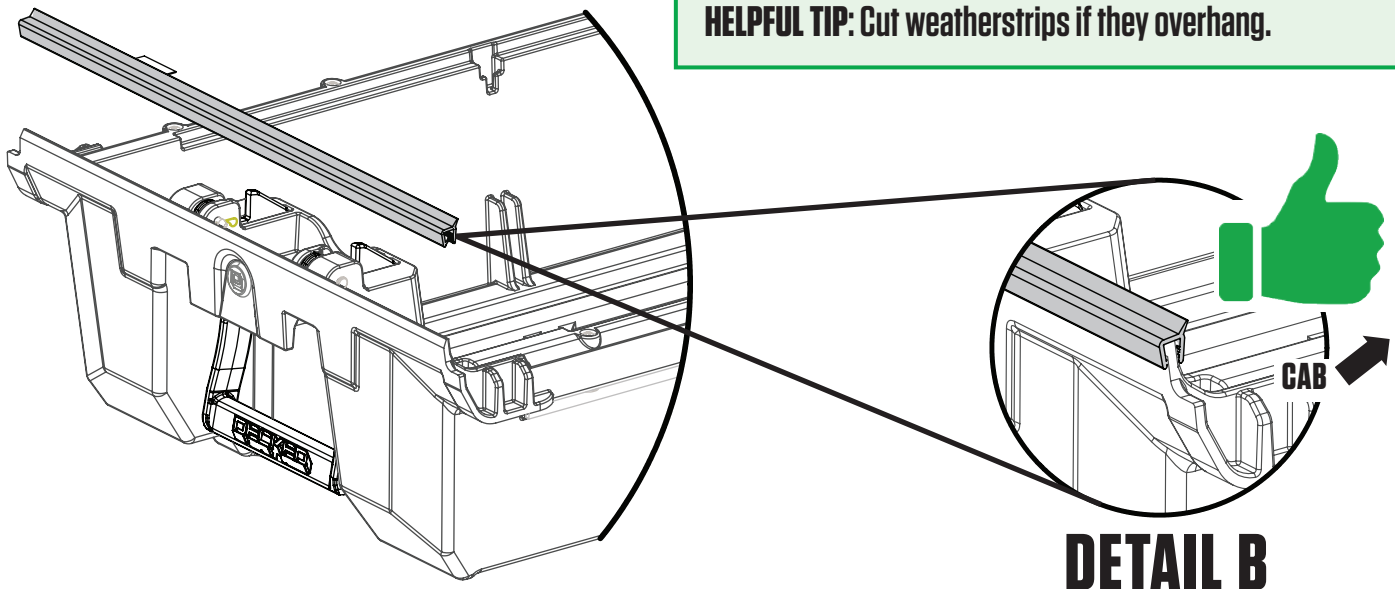
- Slide narrow drawer into driver side drawer cavity. **NOTE: It is easier to fully install narrow drawer first.**
- **DETAIL A:** Install two tailgate wheels onto narrow drawer axles with a 7/32" hex wrench; **BAG WHEELS.**
- Repeat with wide drawer.
- **DETAIL B:** Install weatherstrips on top of drawer edges **WITH WIPER BLADE POINTING TOWARD DRIVER.**
IMPORTANT: Facing the weatherstrip the wrong way will funnel water into drawer: DUH!



RECOMMENDED TORQUE:
Wheel bolts - 90 in-lb.

HELPFUL TIP: To make this step easier, jam a 2" piece of material under drawer, or get your pal to pinch the drawer up to the deck to give you better leverage.

HELPFUL TIP: Cut weatherstrips if they overhang.



FINAL STEPS: TORSION BRACE + BOTTLE OPENER

- Slide torsion brace under center vert and tailgate ammo cans.

NOTE: If you jumped the gun and tightened the J-hooks when installing, loosen them.

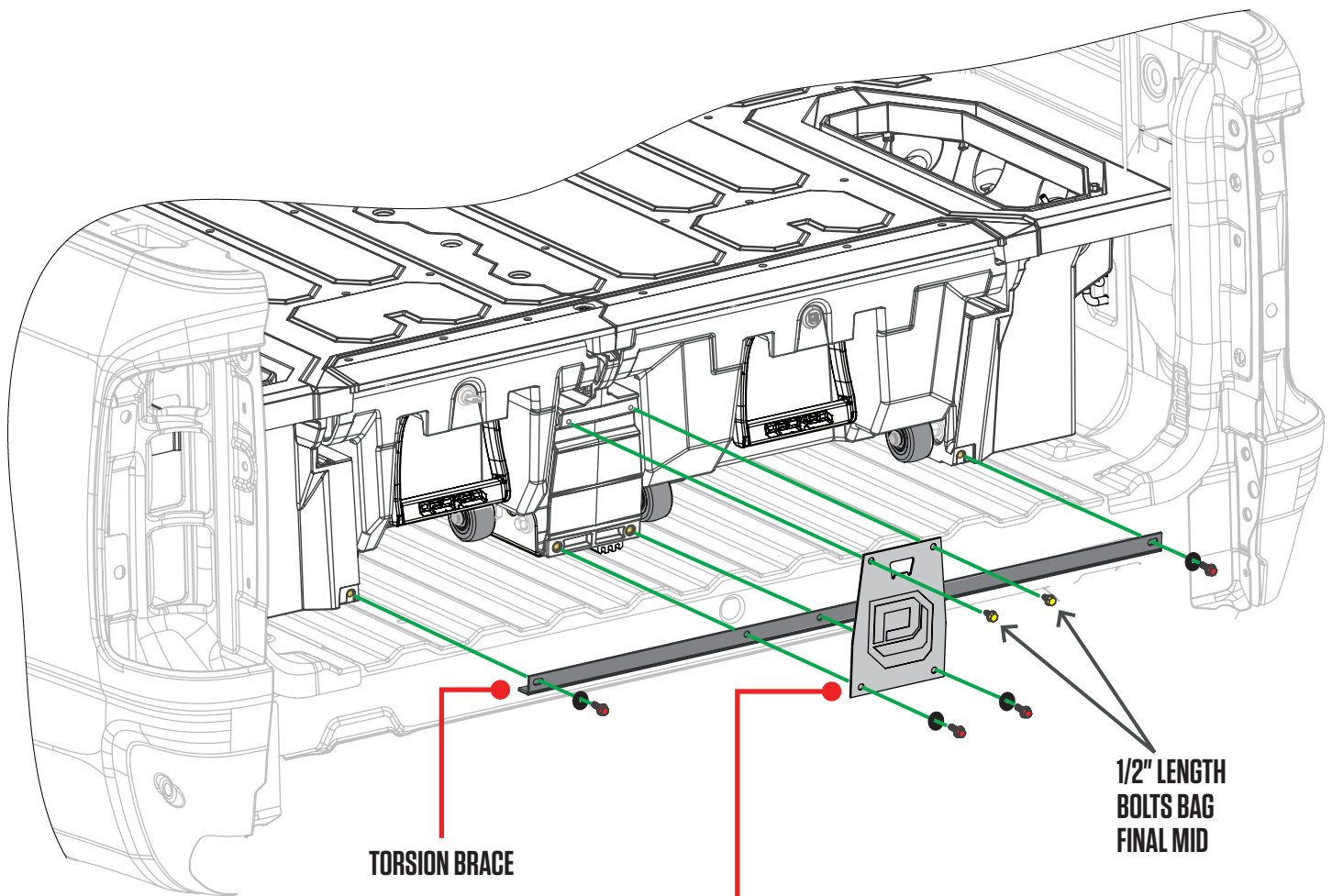
- Loosely install:

- Two bolts with nylon washers through the end holes in torsion brace into ammo cans; **BAG S1.**
- Two bolts with nylon washers through the bottom bottle opener holes and torsion brace into center vert; **BAG S1.**
- Two 1/2" length bolts through upper holes in bottle opener into center vert; **BAG FINAL MID.**

- Align bottle opener to edges of center vert and tighten four bottle opener bolts.

- Tighten end bolts into tailgate ammo cans.

- **Finally.....Tighten the J-hooks! DO NOT OVER TIGHTEN, just make snug. Make sure the gap between the sidewall of the bed and the deck is equal on both sides.**



HELPFUL TIP: Bottle opener goes outside of torsion brace.

BOTTLE OPENER

RECOMMENDED TORQUE:

.905" Bolts - 27 in-lb. | J-hooks - 9 in-lb.
1/2" Bolts & 1/4" Ruler screw - 18 in-lb.

BAM BAM: THE RULER

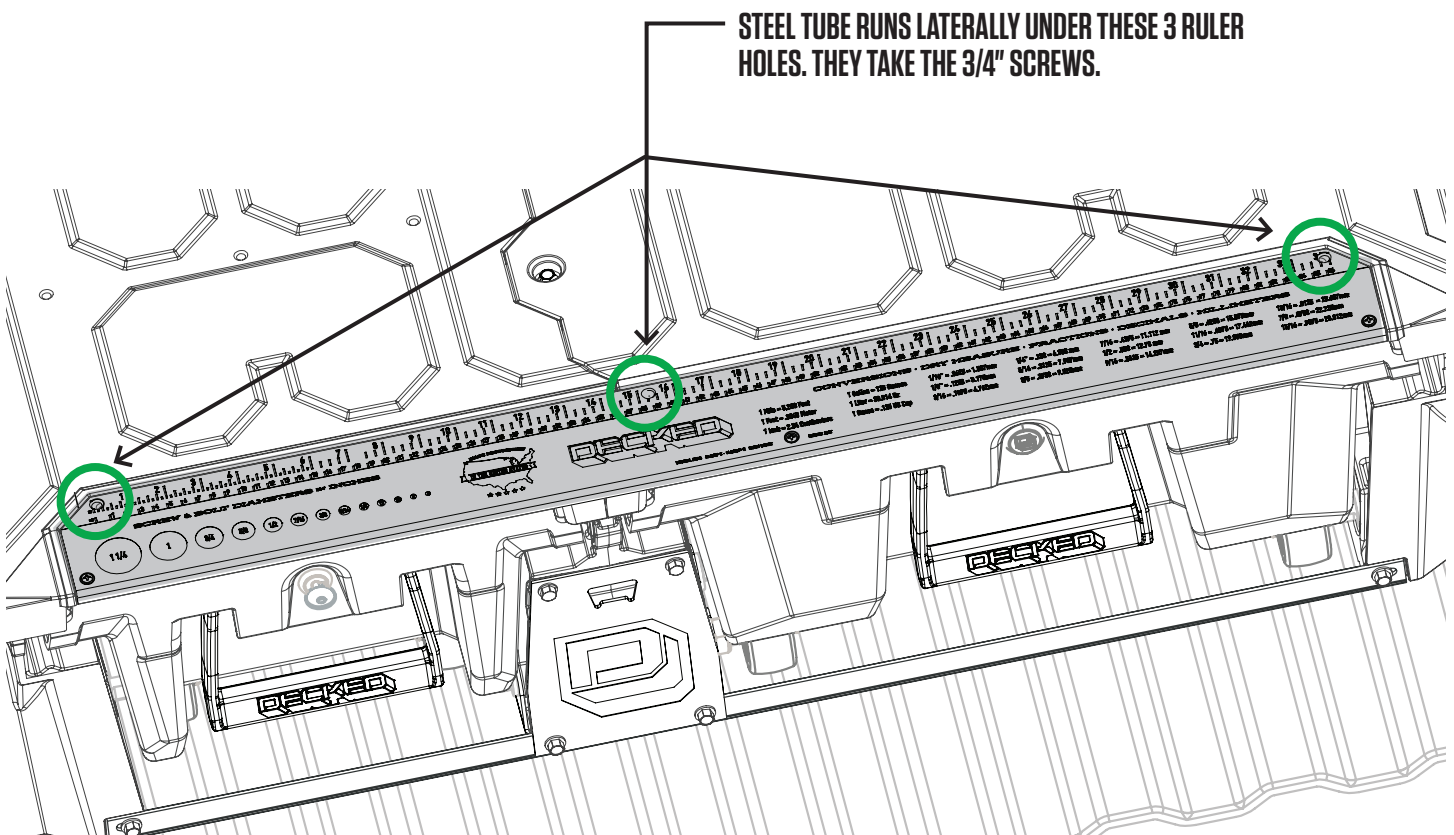
- Center ruler in embossed area and screw three 1/2" length Phillips screws through the tailgate side holes directly into deck panels; **BAG FINAL MID.**

NOTE: These are small gauge screws. Tighten to a light snuggle **ONLY.**

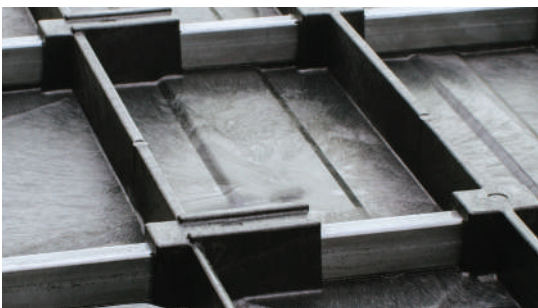
- For the three cabside ruler mounting holes, drill each with a 9/64" bit and a drill stop set to 1/2". There is a lateral steel tube that runs on the underside of the deck at this location. (SEE UNDERSIDE VIEW OF DECK).

IMPORTANT: Only drill through **TOP** of steel tube; do not drill through bottom of tube, 'lest you want to pull a Niagara Falls and funnel water into your drawers.

- Screw three 3/4" length Phillips screws into the cabside ruler holes you just drilled; **BAG FINAL MID.**



UNDERSIDE VIEW OF DECK



DO: Drill through the top of steel tube **ONLY.**

DO NOT: Drill through both sides of steel tube = **YOU'RE FIRED!**

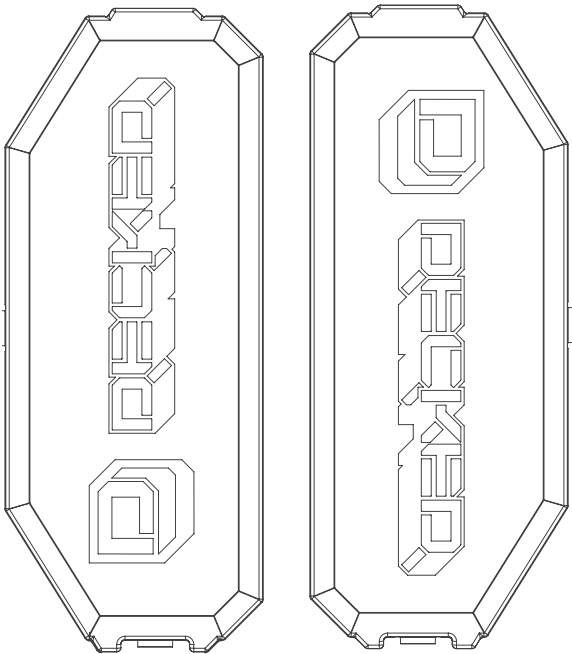


FINAL STEPS: AMMO CAN LIDS

- **DETAIL A:** Ammo can lids are driver (marked L) and passenger (marked R) side specific.
- **DETAIL B:** Holding lid in orientation shown, insert tab on tailgate end of ammo can lid and push the cabside end of lid down to secure. Don't be afraid to give'r the Fonzi to close, it's rugged.
- Insert lock hole plugs, unless you ordered drawer locks! Install drawer locks now (instructions with locks); **BAG FINAL MID.**

IMPORTANT: Grab your favorite beverage, crack 'er open in the bottle opener and christen this ship! You did it. Immediately post a photo of your significant other, child or canine (in no order of significance) appreciating your accomplishment.

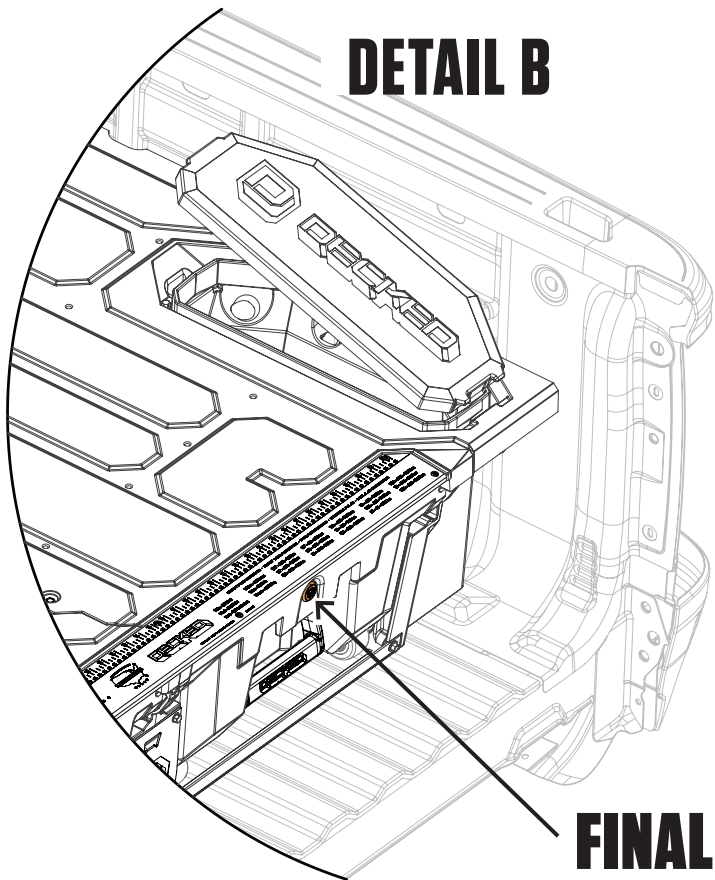
DETAIL A



DRIVER SIDE
AMMO CAN LID

PASSENGER SIDE
AMMO CAN LID

DETAIL B



FINAL MID

When it comes to quality truck bed accessories, [DECKED](#) is the brand you can depend on.